



Alumil
Building excellence every day

Alumil  **SMARTIA**
M35



CONTENTS

SMARTIA M35

SYNOPSIS OF CHARACTERISTICS	4
SYSTEM FEATURES	8
SECTIONS	14
INSTALLATION	28
PERFORMANCE	30



SMARTIA M35

is a cost efficient Curtain Wall system that meets the ever increasing trend of minimal design.

Its slender design renders SMARTIA M35 ideal for the demands of Transparent Architecture without compromising high performances and functionality.

When the panoramic view is required, whether it is a shopfront construction or a high rise building, SMARTIA M35 is the right choice.

Make it simple

but significant.



- Basic system width 35mm
- Available in standard version using aluminium caps.
- High thermal insulation thanks to special insulating materials
- Ideal for constructions that seamless appearance is specified, such as shopfronts.
- Moment of Inertia up to 500cm^4 , satisfying any structural demand.
- Glazing infill from 4mm up to 54mm
- Low fabrication cost thanks to accessories and ease of fabrication.
- Effective water evacuation system
- Implementation of various types of hinged windows: projected, parallel projected, tilt and turn and concealed sash.
- Implementation of entrance door systems.



Alumil SMARTIA
M35



TECHNICAL

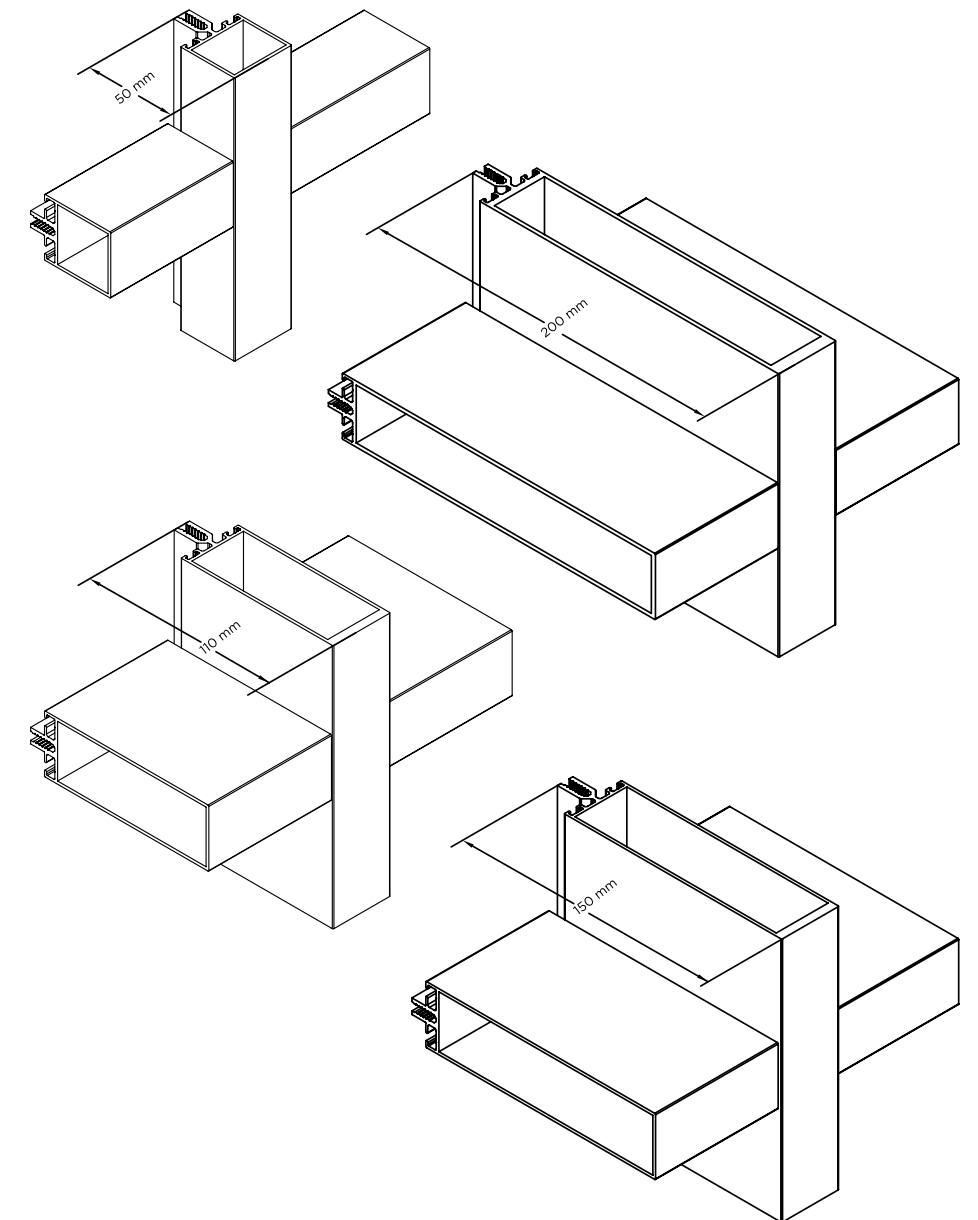
CHARACTERISTICS



VISIBLE	35MM
MULLION DEPTH	20-200MM
TRANSOM WIDTH	16,5-200MM
GLAZING TYPE	STICK WITH EPDM GASKETS
MULLION MOMENTS OF INERTIA	$I_x=540\text{CM}^4$, $I_y=20\text{CM}^4$
TRANSOM MOMENTS OF INERTIA	$I_x=451\text{CM}^4$, $I_y=24\text{CM}^4$

Coincident pairs of mullion and transom

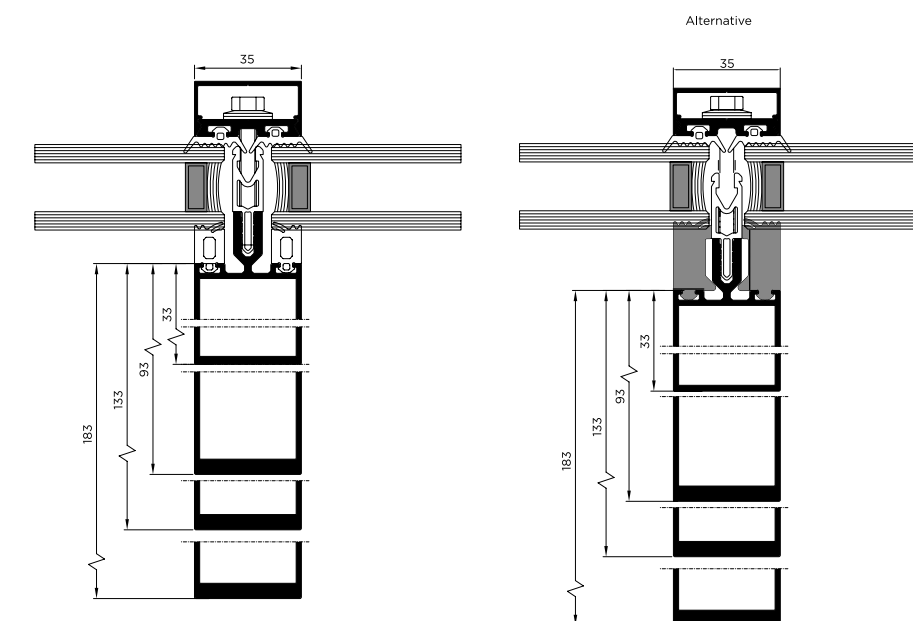
4 available mullions and transoms pairs of the same depth, providing a **symmetric aesthetic effect.**



SYSTEM

Alternative mullion gasket

The use of a different gasket in the mullion, **bigger than the usual**, transposes glass unit and prevents it from breaking during installation.



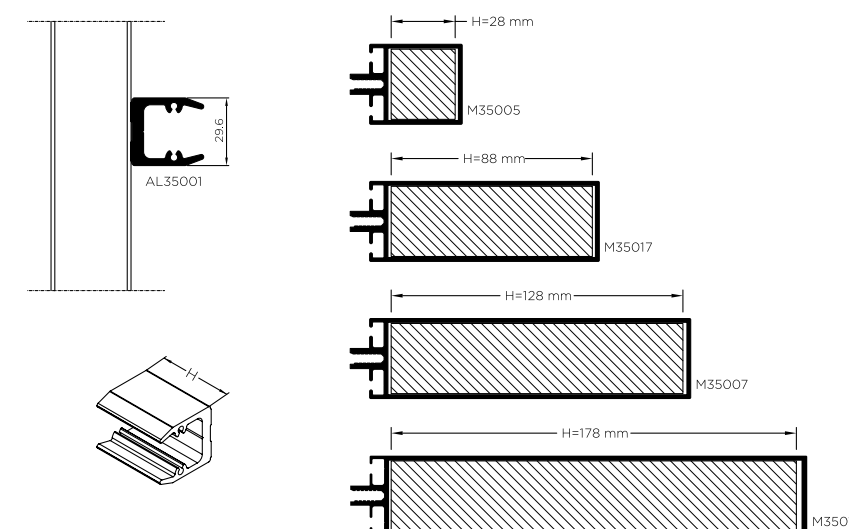
Transom connection

The use of single profile for each pair of mullion-transom instead of using different set of accessories, **contributes to the system's flexibility**.

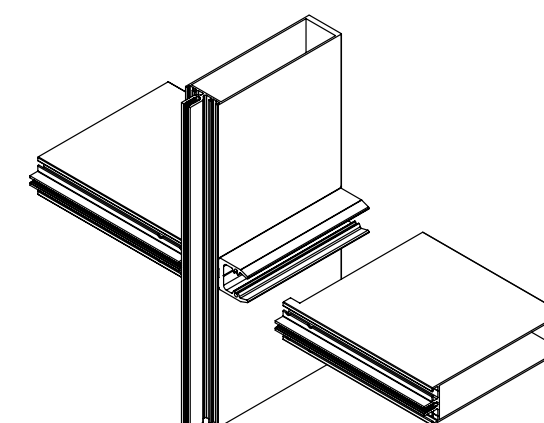
Two alternatives concerning transom milling.

- Using end cap
- Without the use of end cap

Transom Connector



Transom Milling for Connection without End Caps/

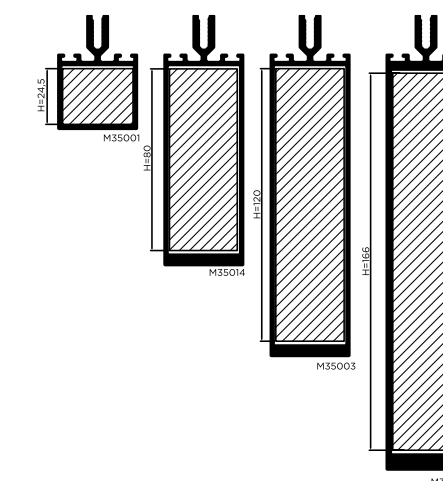
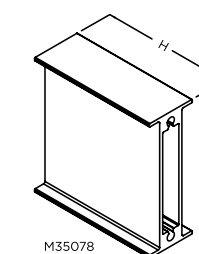


Mullion connection

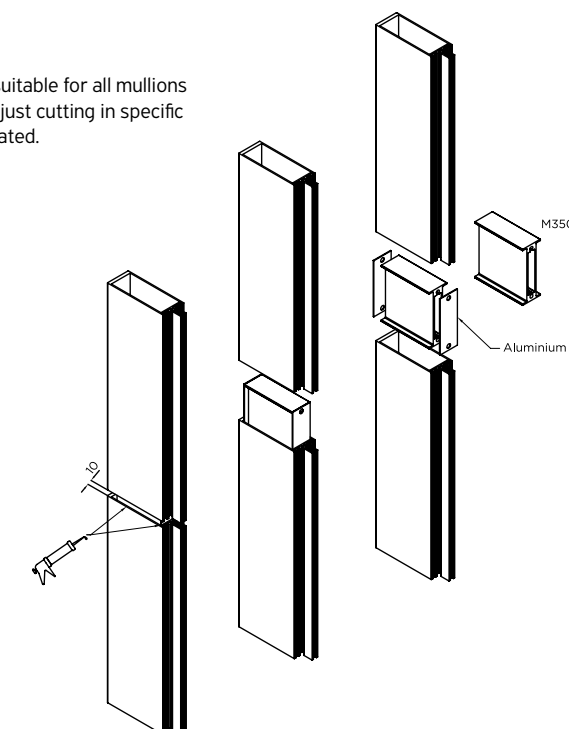
Connection between mullions, **providing safe assembly and installation** for facades that cover whole building envelope and not only shopfronts.



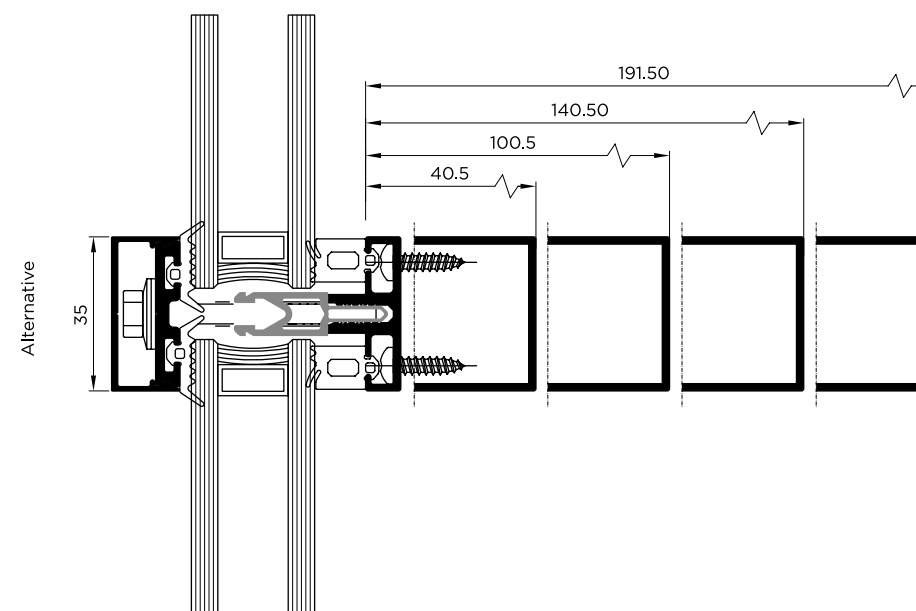
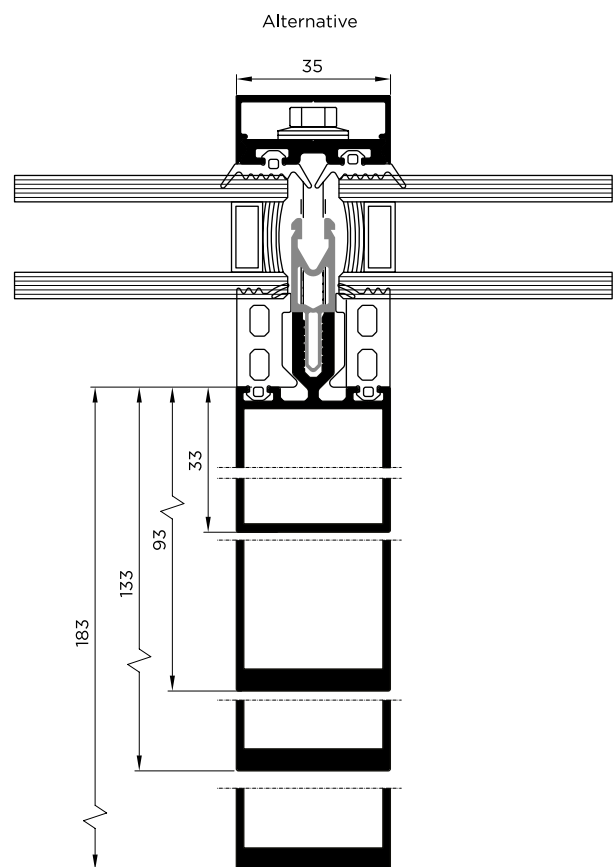
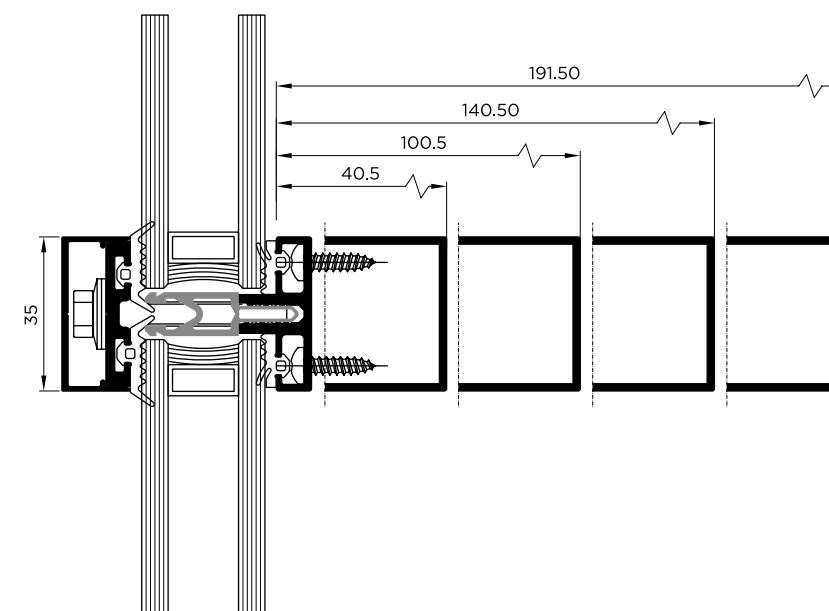
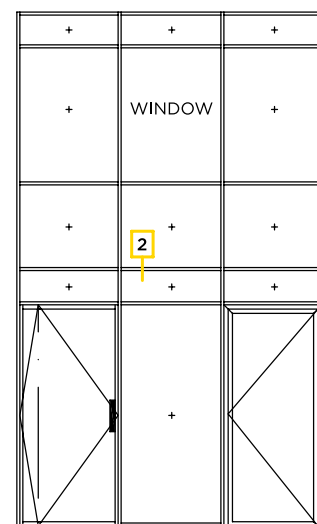
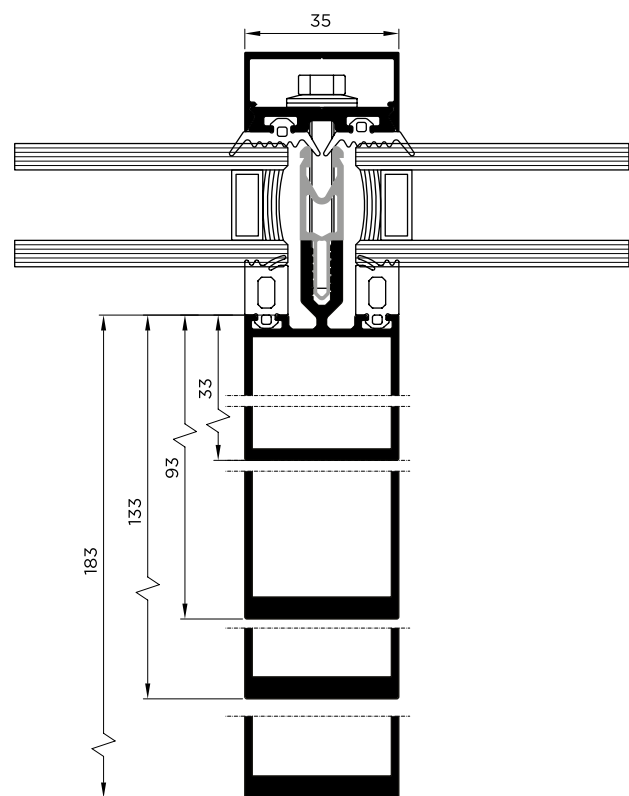
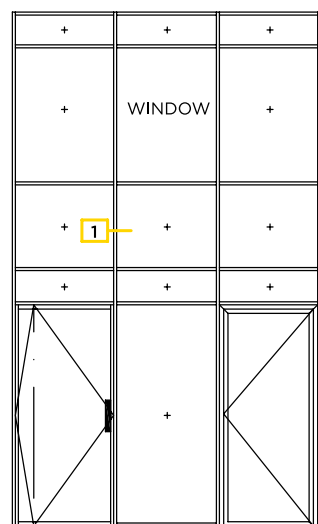
Economy of scales



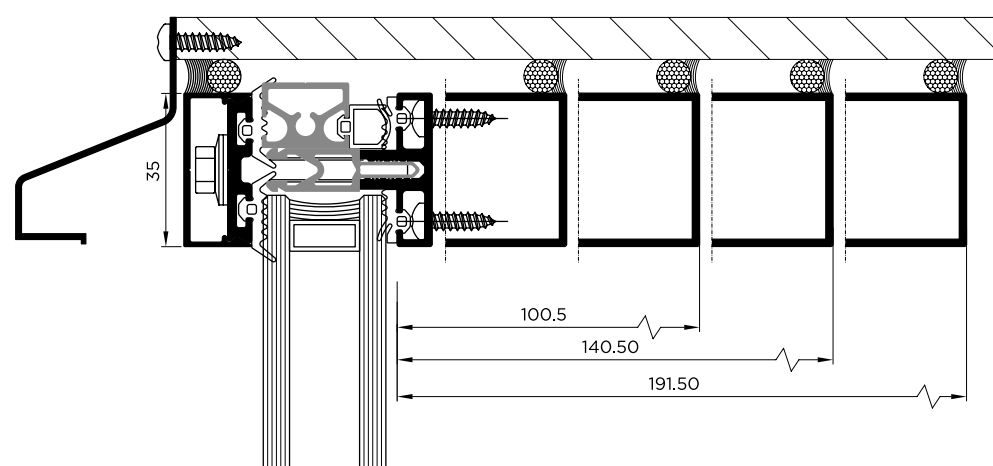
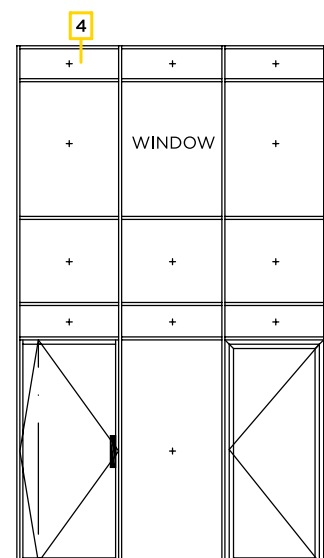
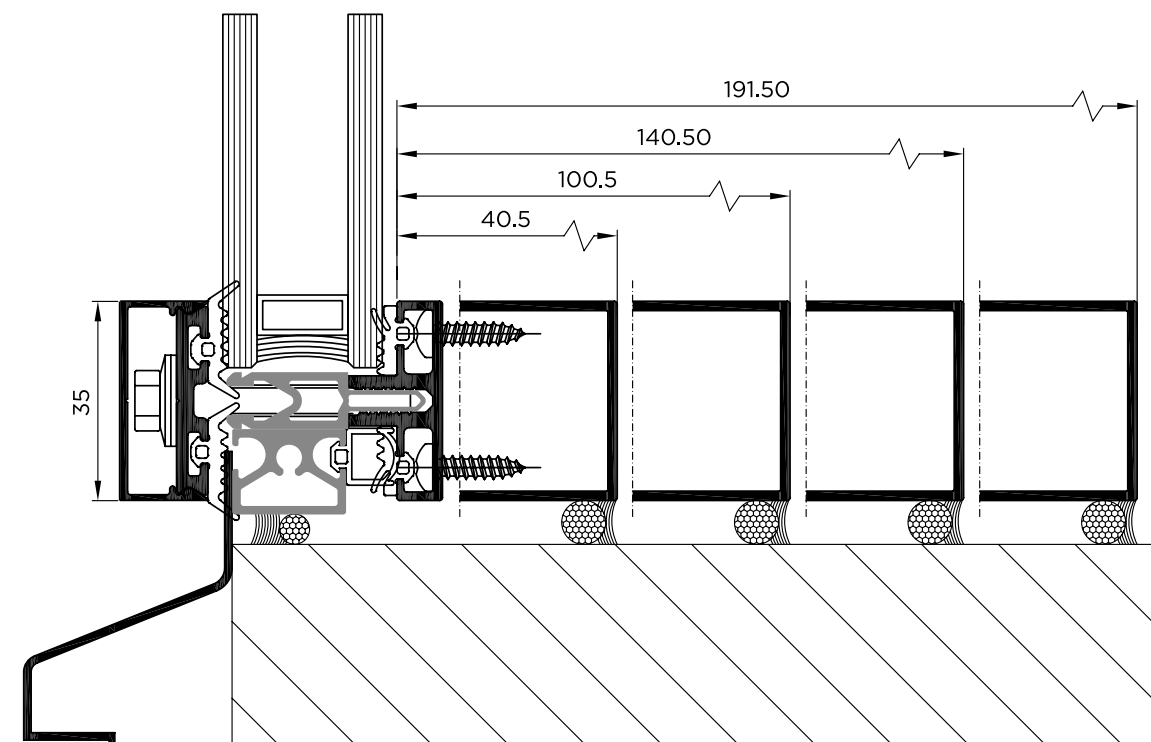
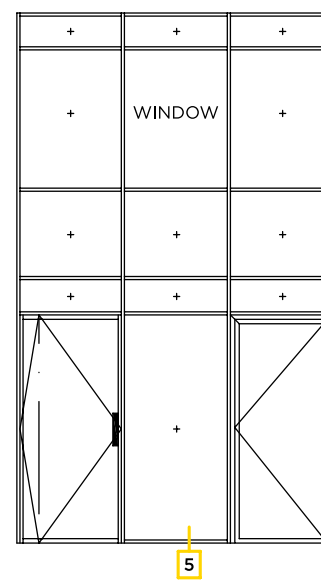
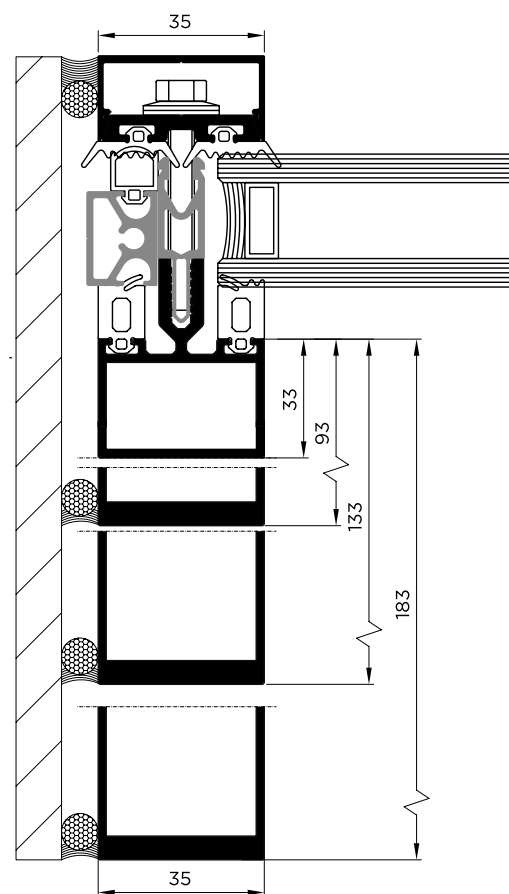
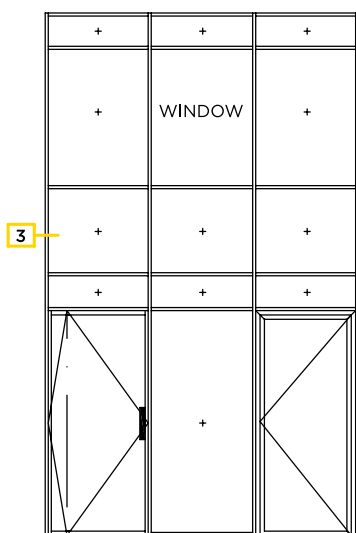
This profile is suitable for all mullions of the system, just cutting in specific height as indicated.



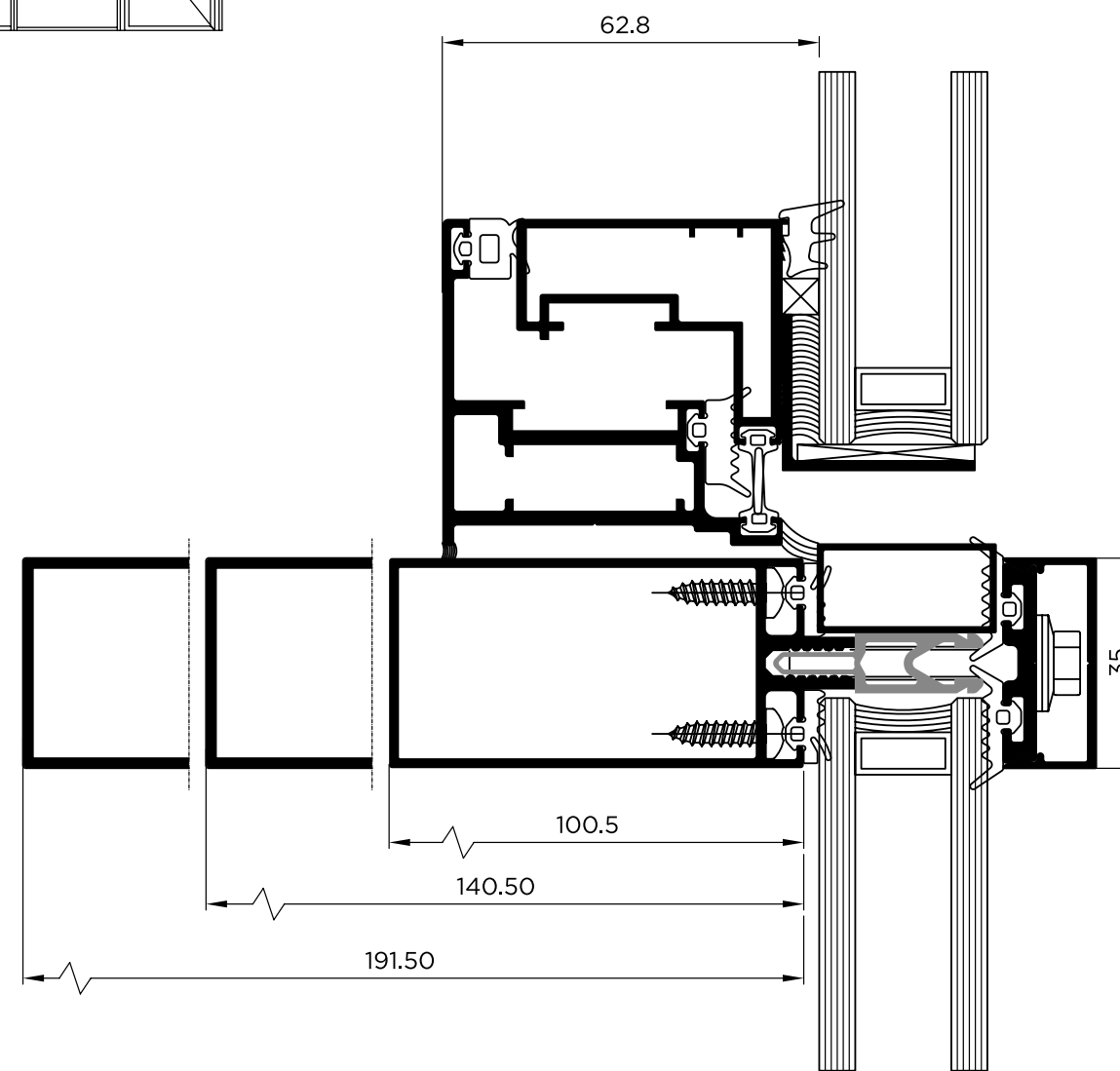
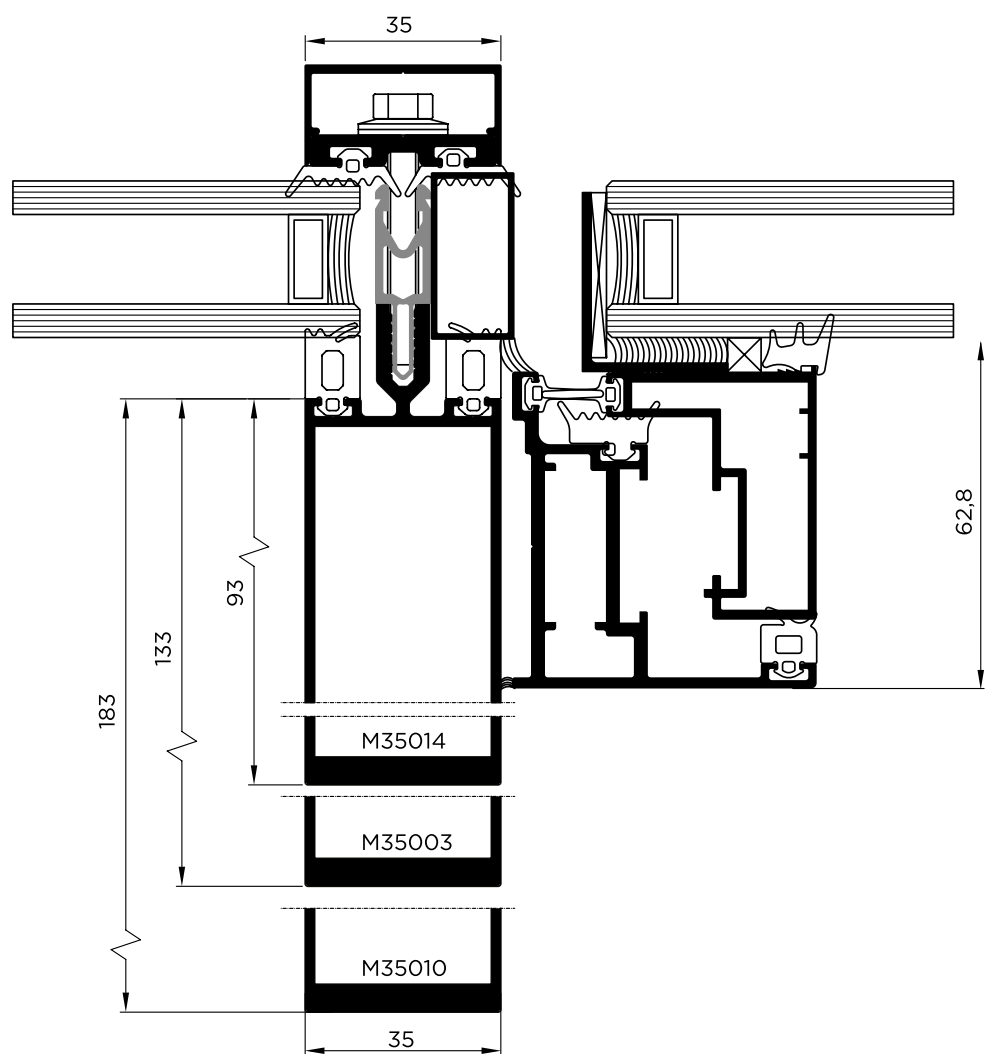
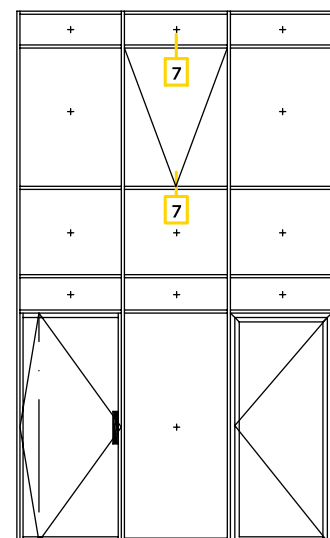
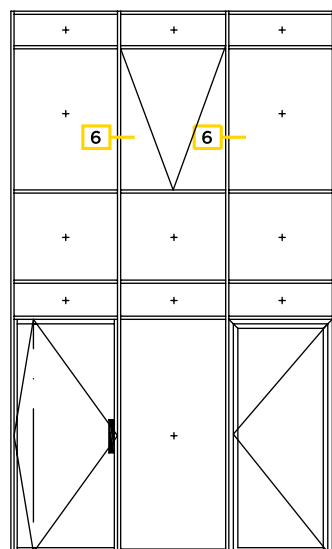
Alumil SMARTIA M35



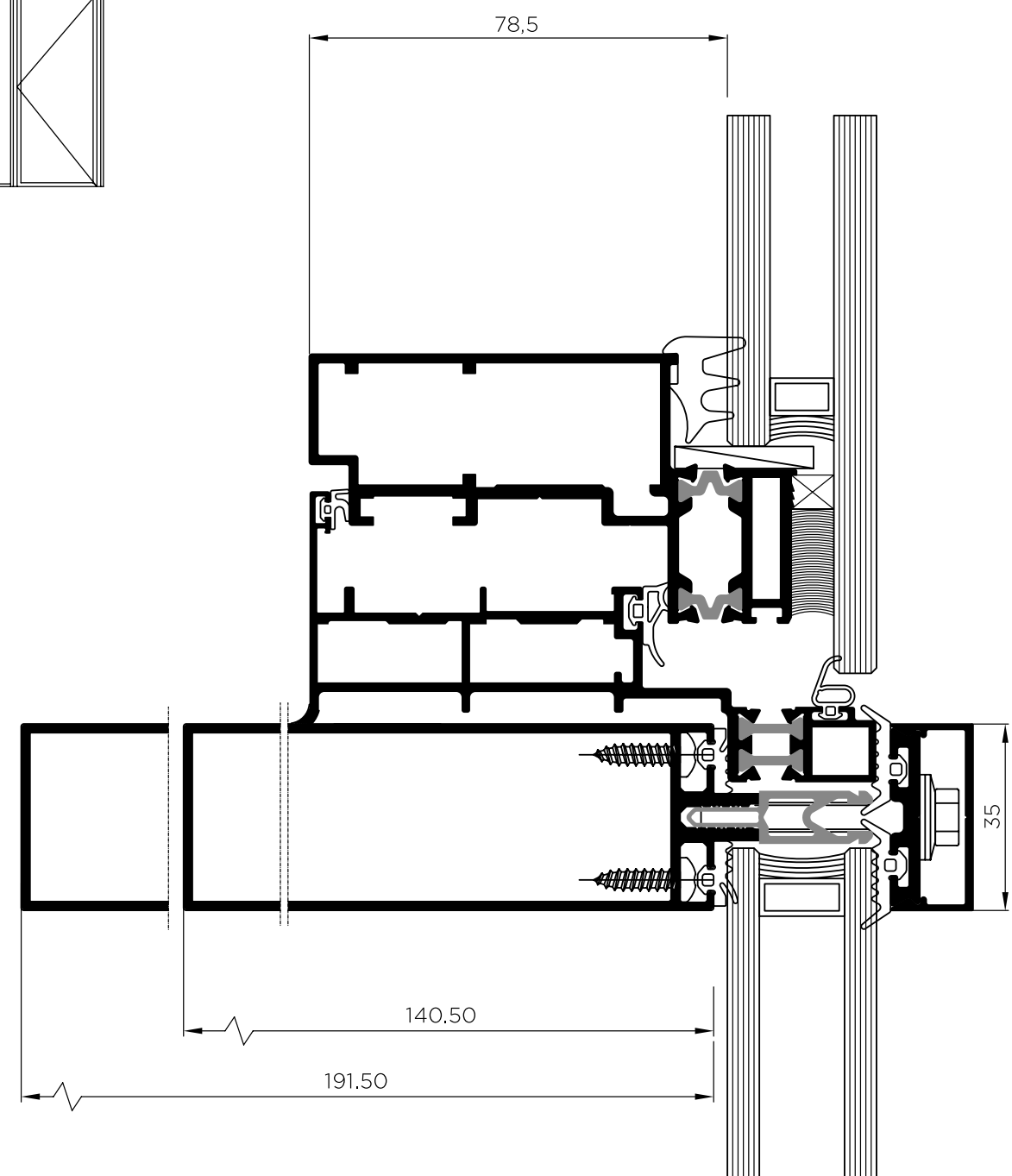
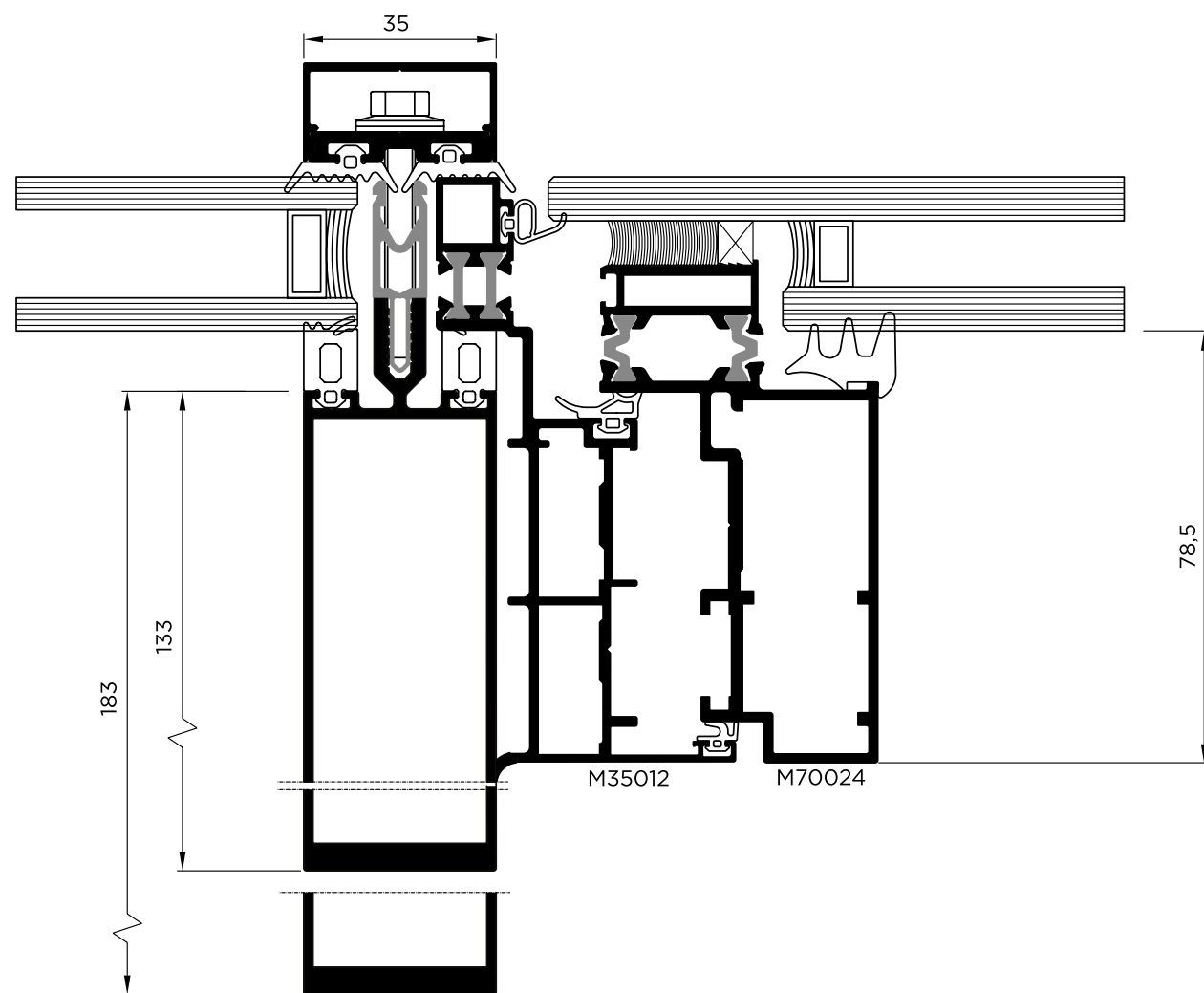
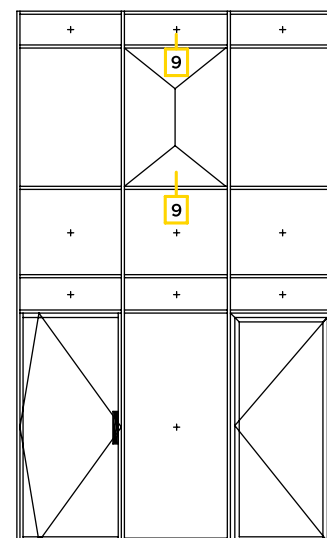
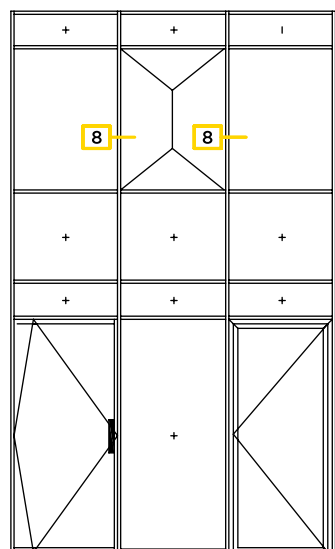
Alumil SMARTIA
M35



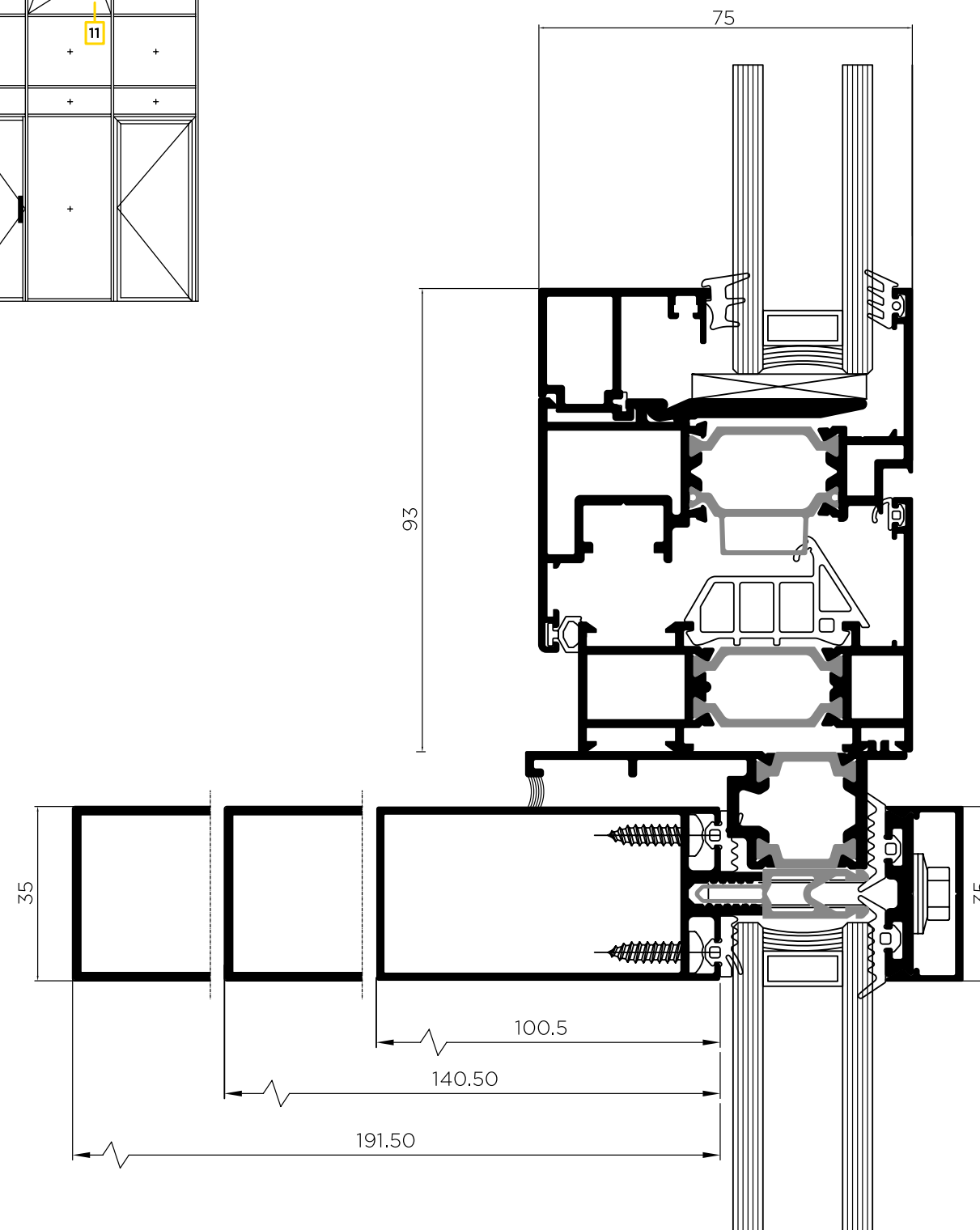
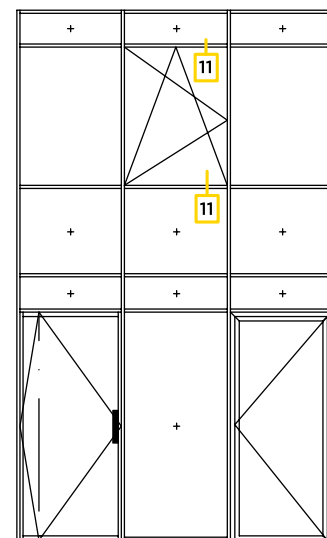
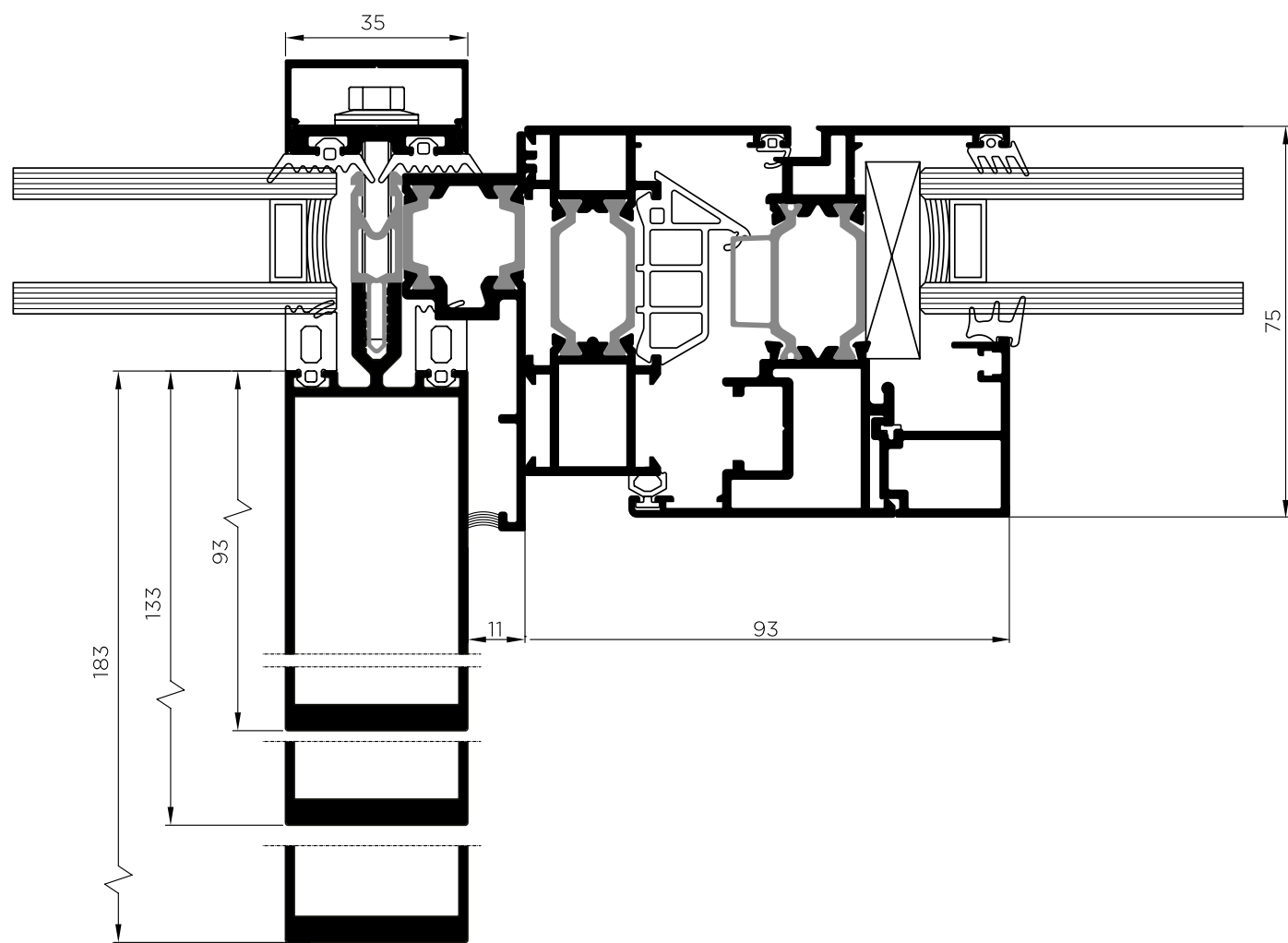
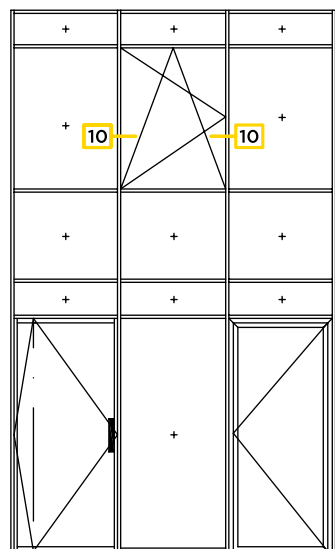
Alumil SMARTIA
M35



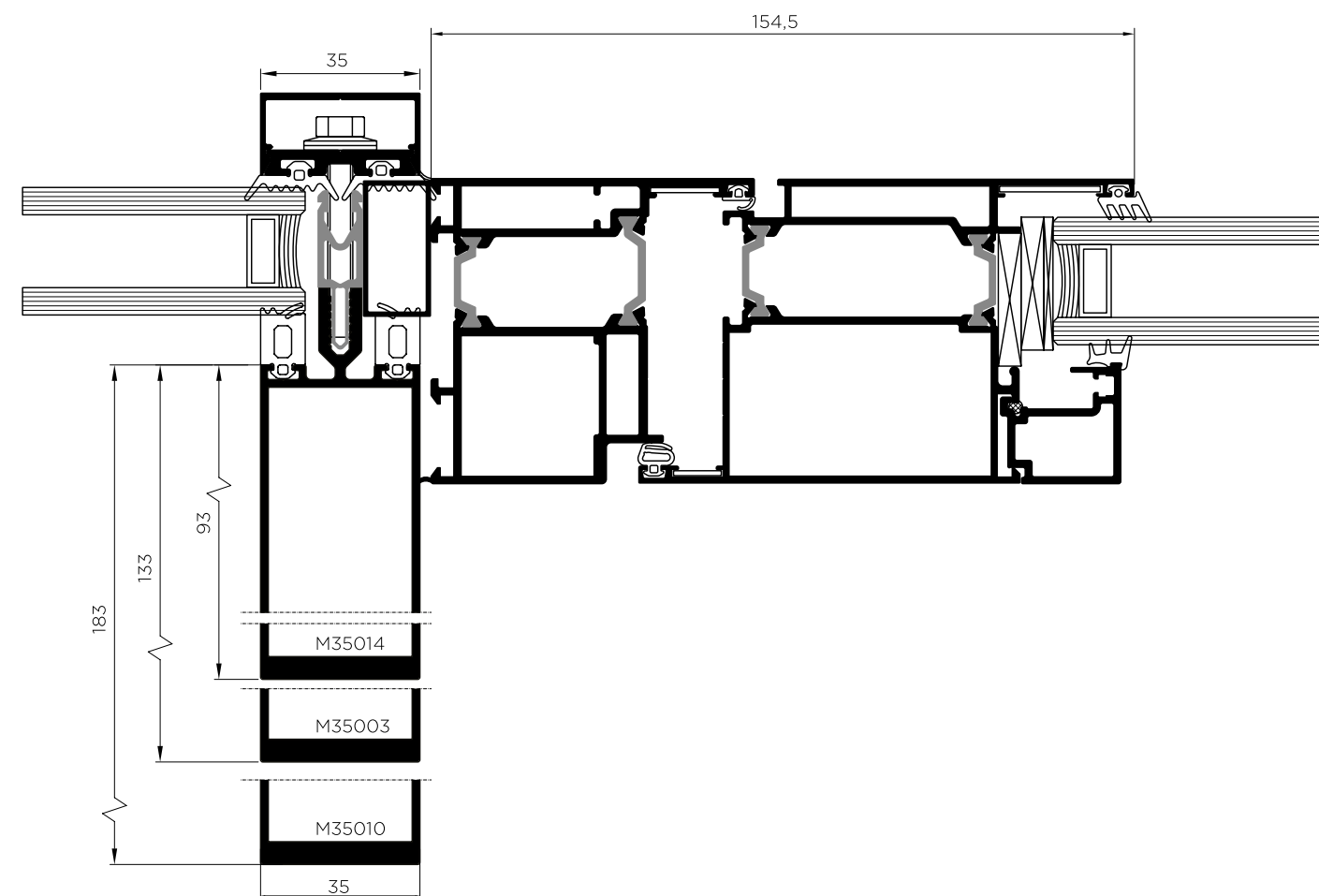
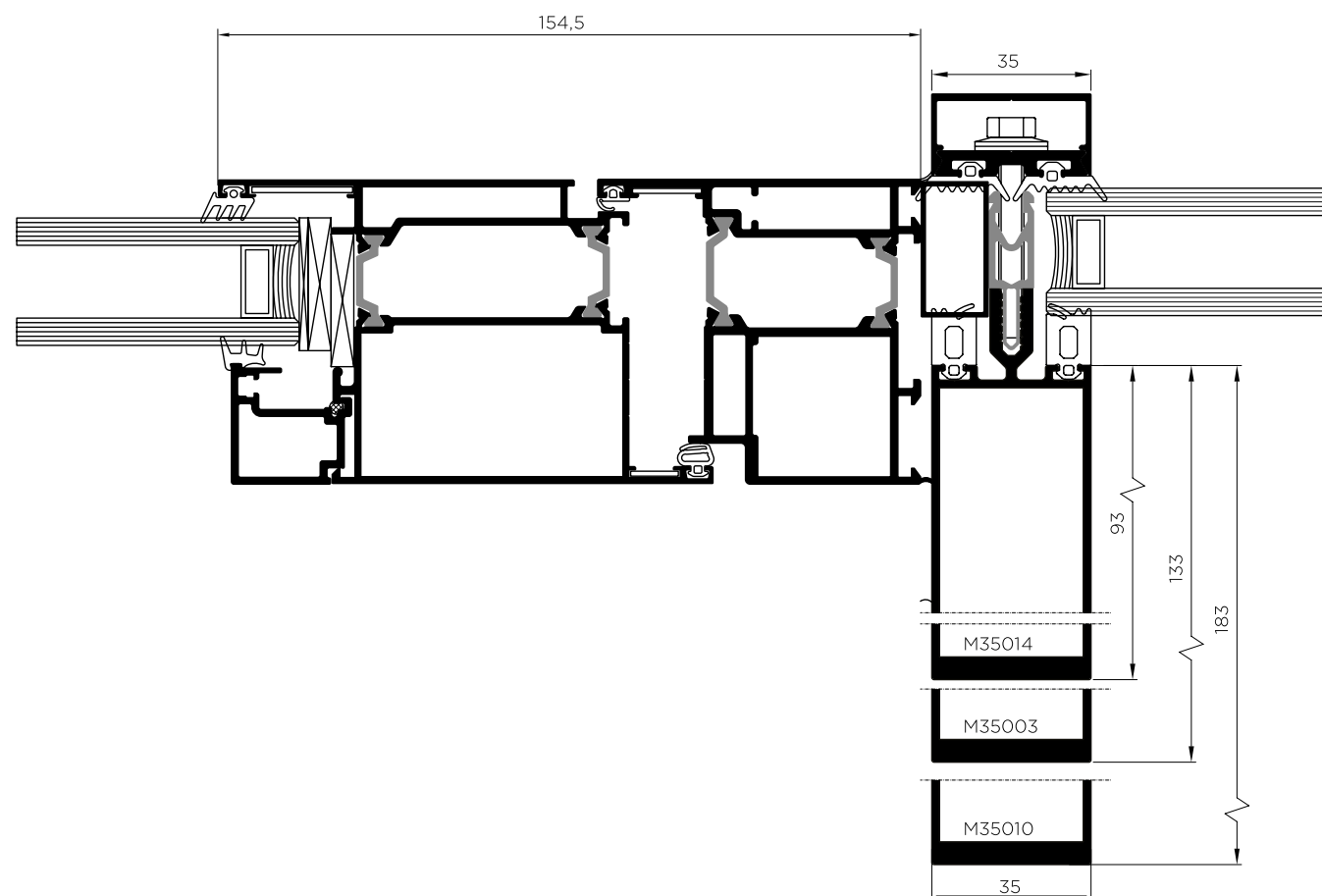
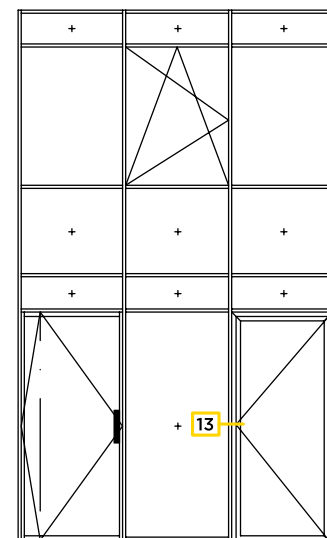
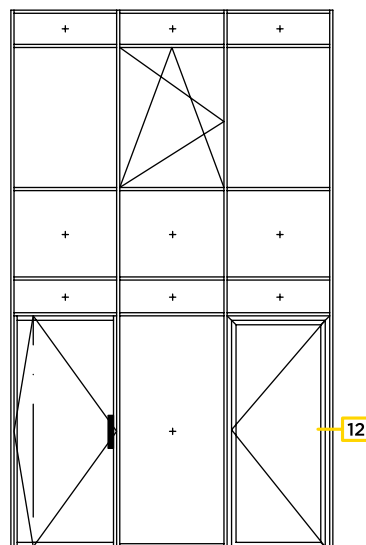
Alumil SMARTIA
M35



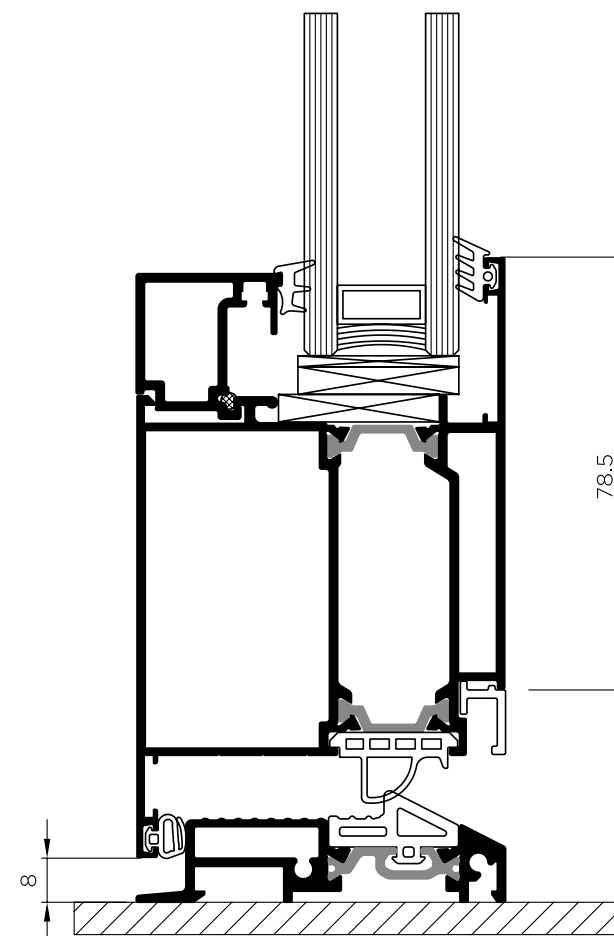
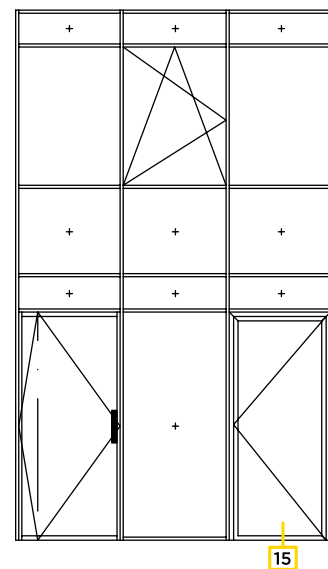
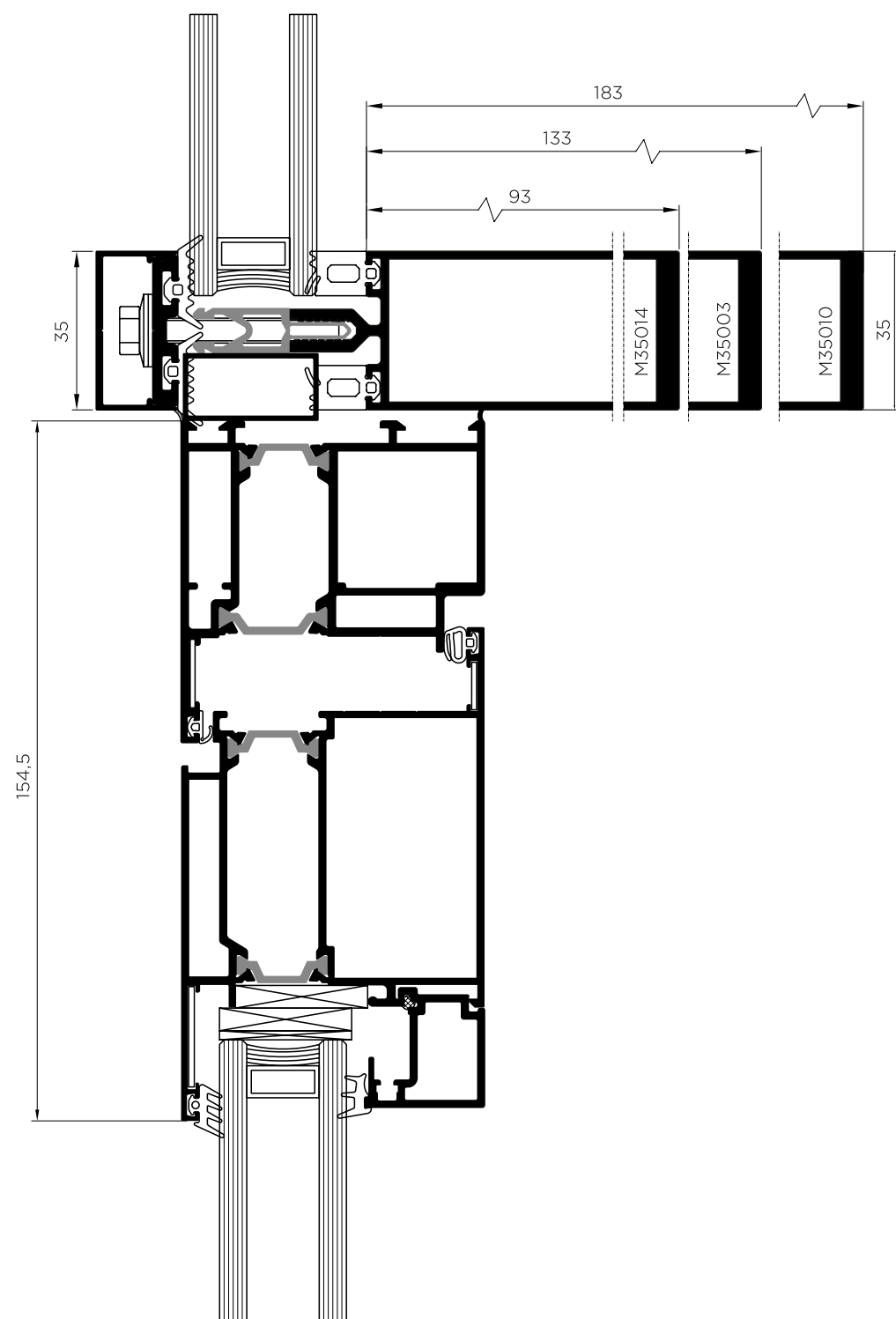
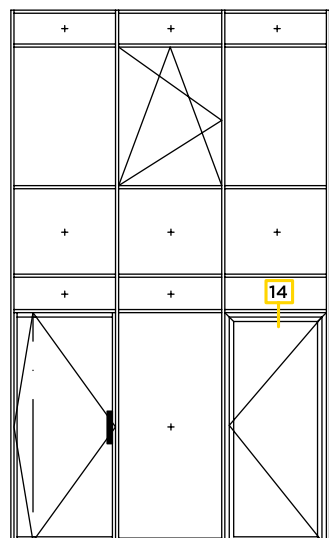
Alumil SMARTIA
M35



Alumil SMARTIA
M35

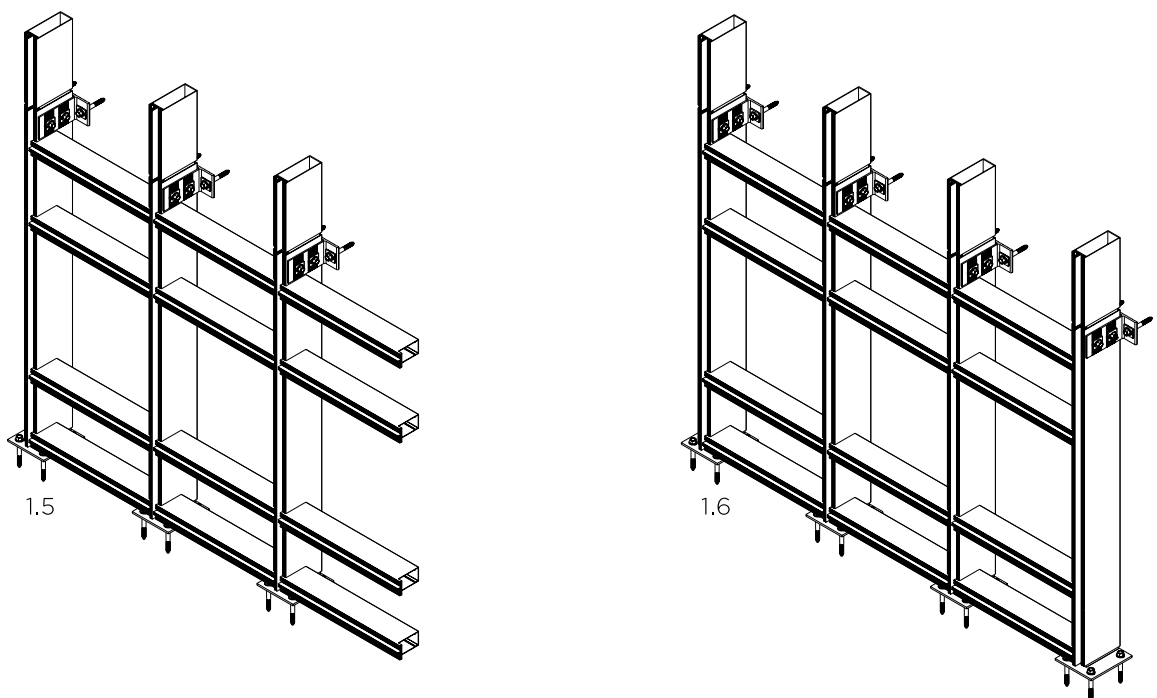
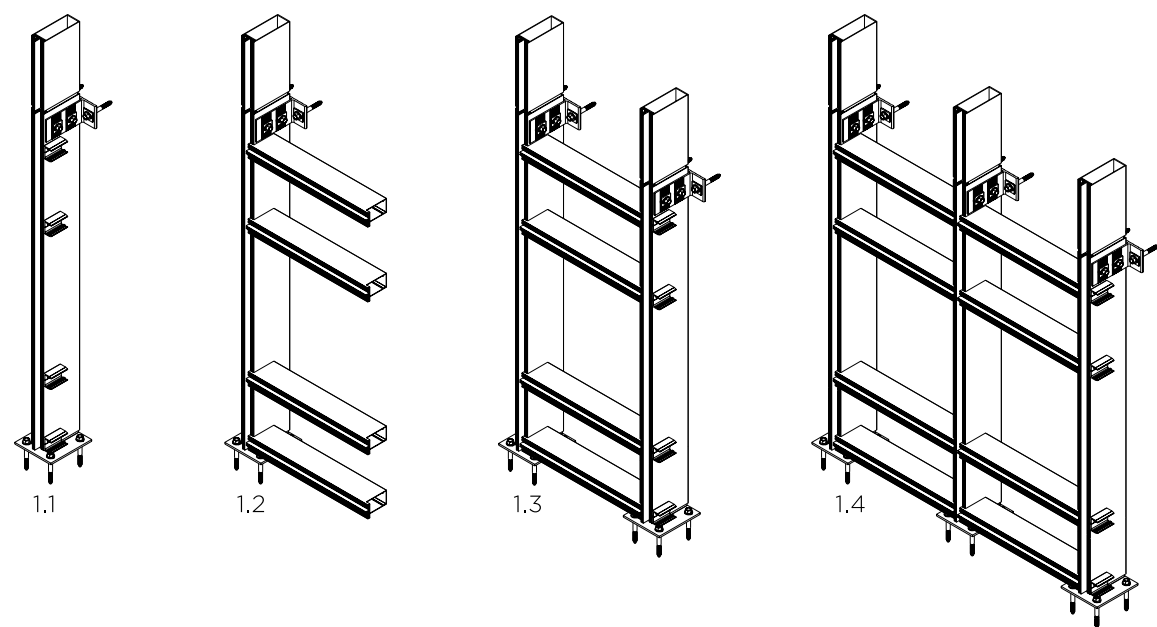


Alumil SMARTIA
M35

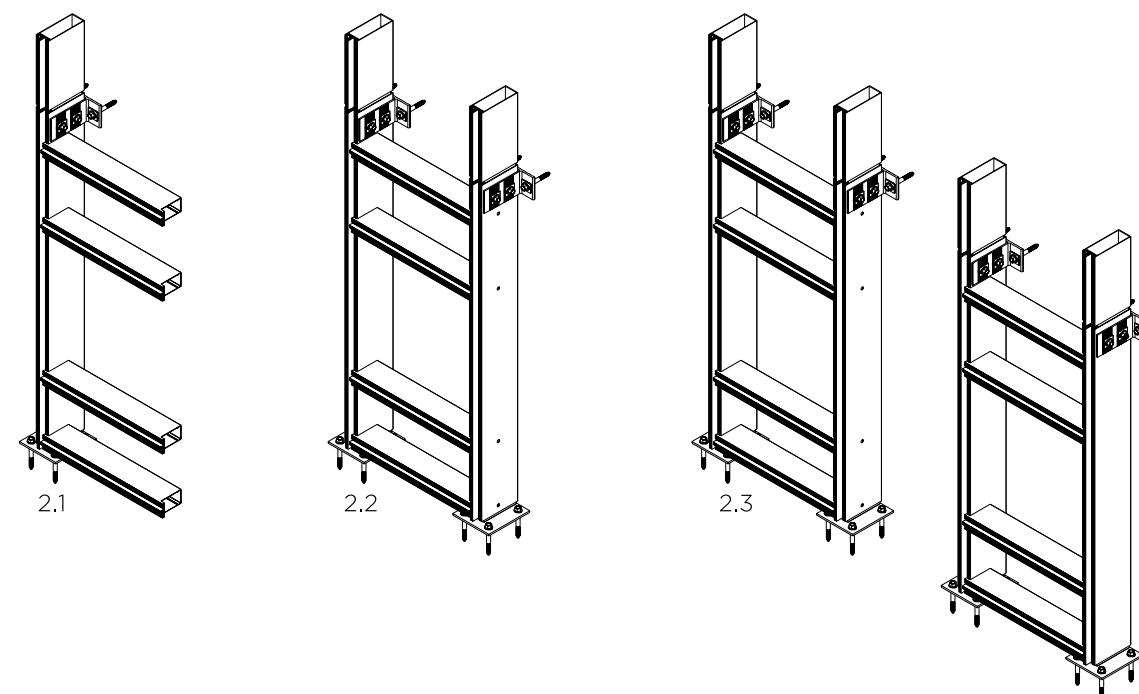


Installation

1. Assembly Mullion - Transoms - Mullion



2. Assembly Ladder Elements



3. Assembly Transoms

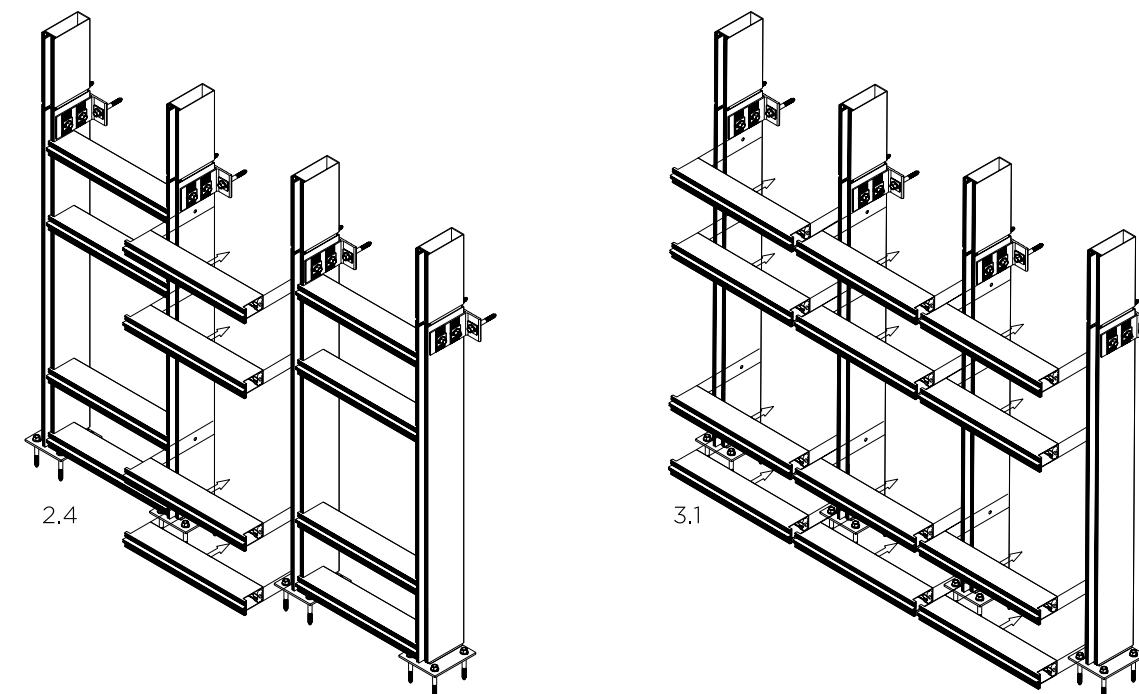


Table of performance

Alumil SMARTIA
M35

CERTIFICATION



WATER TIGHTNESS
EN 12154



AIR PERMEABILITY
EN 12152



WIND LOAD RESISTANCE
MAX TEST PRESSURE
EN 13116



THERMAL INSULATION
EN 12631

CLASSIFICATION

	R4 (150 Pa)	R5 (300 Pa)	R6 (450 Pa)	R7 (600 Pa)	RE 1050 (1050 Pa)
	A1 (150 Pa)	A2 (300 Pa)	A3 (450 Pa)	A4 (600 Pa)	AE (>600 Pa)
	DESIGN LOAD ±1600Pa		SAFETY LOAD ±2400Pa		
	U _f down to 1,2 W/m ² K depending on the profile combinations and glazing thickness				



www.alumil.com

**ALUMIL
HEAD OFFICES
& SHOWROOM - THESSALONIKI**

Gogousi 8, Efkarpia
Thessaloniki - GR 56429
TEL.: +30 2313011000
FAX.: +30 231692473
E-MAIL.: info@alumil.com

**ALUMIL
HEADQUARTERS**

Kilkis Industrial Area
Kilkis - GR 61100
TEL.: +30 23410 79300
FAX.: +30 23410 71988
E-MAIL.: info@alumil.com



**ALUMIL
HEAD OFFICES
& SHOWROOM - THESSALONIKI**

GOGOUSI 8, EFKARPIA
THESSALONIKI - GR 56429

TEL.: +30 2313 011000
FAX.: +30 2310 692473
EMAIL.: info@alumil.com

**ALUMIL
HEADQUARTERS**

KILKIS INDUSTRIAL AREA
KILKIS - GR 61100

TEL.: +30 23410 79300
FAX.: +30 23410 71988
EMAIL.: info@alumil.com

www.alumil.com

alumil