

Alumil
Building excellence every day



2025

ACCESSORIES

CERTIFICATION

DATA

SHEETS












Dear partner,

at Alumil we are building excellence every day. Through our consistent research and development of products we are able to offer certified solutions to meet even the highest requirements of impressive projects around the world.











Alumil's range of Accessories includes products of unparalleled ergonomics and enhanced durability that offer great aesthetics. All solutions have been carefully chosen and developed as Alumil Systems' parts, providing our customers with an extensive range of architectural solutions.

We proudly present a complete guide of our Accessories range highlighting the superior certifications and technical features of Alumil hardware. Please contact your Alumil representative for further information or special requests that we would be pleased to advise upon and develop in order to meet your unique requirements.





CONTENTS

CERTIFICATION DATA SHEETS.....	09
CHAPTER 1 – HANDLES.....	09
ALUMIL 7mm PIN HANDLES.....	09
7mm PIN LOCKABLE HANDLES.....	10
ALUMIL 7mm PIN SLIM HANDLES.....	11
ALUMIL 7mm PIN BI-FOLDING DOOR HANDLES.....	12
ALUMIL 7mm PIN MINIMAL HANDLES.....	13
	
ROSETTES FOR REMOVABLE PIN HANDLE.....	14
ALUMIL 7mm FLUSH PIN HANDLES.....	15
7mm PIN POP-UP HANDLES.....	16
	17
MINIMAL DOOR HANDLES WITH MINI ROSETTE.....	18
	
ALUMIL 8mm PIN DOOR HANDLES.....	19
ALUMIL 8mm PIN ANTIMICROBIAL SUPREME DOOR HANDLES.....	20
	
ALUMIL CREMONES.....	21
	
ALUMIL LOCKABLE CREMONES.....	22
ALUMIL CREMONES FOR OUTWARD OPENING & SHUTTER SYSTEMS.....	23
ALUMIL 10mm PIN LIFT/SLIDE OVAL HANDLES.....	24
	
ALUMIL 10mm PIN LIFT/SLIDE RECTANGULAR HANDLES.....	25
	
10mm PIN POP-UP LIFT/SLIDE HANDLES.....	26
STAINLESS STEEL FIXED DOOR HANDLES ALUMIL.....	27
BALCONY FINGER PULL HANDLE.....	28
CHAPTER 2 – WINDOW MECHANISMS.....	29
ALUMIL “STANDARD” EURO GROOVE T/T MECHANISM 130KG.....	29
ALUMIL “ADVANCED” EURO GROOVE T/T MECHANISM 150KG.....	30
ALUMIL “STANDARD” CONCEALED EURO GROOVE T/T MECHANISM 150KG.....	31
ALUMIL “ADVANCED” CONCEALED EURO GROOVE T/T MECHANISM 180KG.....	32
PVC GROOVE T/T MECHANISM.....	33
	
ALUMIL LIFT/SLIDE MECHANISM.....	34
	
ALUMIL GEARBOX SOLUTIONS.....	35
	

SHOOT BOLTS.....		36
OPENING LIMITERS.....		37
EURO GROOVE STAY ARMS		38
SIMPLE LOCKING SOLUTION FOR OPENING SYSTEMS.....		39
CHAPTER 3 – SLIDING SYSTEM SOLUTIONS.....		40
ALUMIL SIMPLE LOCKING SOLUTION FOR SLIDING SYSTEMS.....		40
MULTI POINT LOCK FOR SLIDING SYSTEMS.....		41
MULTI POINT LOCK INOX WITH HOOKS FOR SLIDING SYSTEMS.....		42
PILE SEALS.....		43
ALUMIL SHOCK ABSORBERS.....		44
ALUMIL ROLLERS.....		45
ALUMIL INOX GUIDE RAILS.....		46
STOPPERS FOR SLIDING SYSTEMS.....		47
WATER EVACUATION CAPS.....		48
CHAPTER 4 – CURTAIN WALL HARDWARE.....		49
STANDARD CURTAIN WALL STAY ARMS ALUMIL.....		49
HEAVY DUTY CURTAIN WALL STAY ARMS ALUMIL.....		50
HEAVY DUTY PARALLEL PROJECTION CURTAIN WALL STAY ARMS ALUMIL.....		51
CURTAIN WALL LIMITERS.....		52
CHAPTER 5 – HINGES.....		53
ALUMIL STANDARD HINGE SOLUTIONS.....		53
HEAVY DUTY EURO GROOVE DOOR HINGES ALUMIL.....		54
CONCEALED EURO GROOVE DOOR HINGE.....		55
CONCEALED DOOR HINGE FOR COPLANAR DOORS.....		56
HEAVY DUTY DOOR HINGES ALUMIL.....		57
HEAVY DUTY DOOR HINGES BY DR HAHN.....		58
ALUMIL SD/MD DOOR HINGE.....		59
		60
ALUMIL PIVOT HINGES FOR SD DOORS.....		61
“ALLE-RETOUR” HINGES FOR SWING DOORS.....		62

HORIZONTAL PIVOT HINGES.....		63
HEAVY DUTY PIVOT HINGES.....		64
CHAPTER 6 – DOOR HARDWARE.....		65
ALUMIL SINGLE POINT DOOR LOCKS.....		65
ALUMIL 3-POINT DOOR LOCKS.....		66
MULTI-POINT DOOR LOCKS.....		67
ELECTRIC CONTROL OF ALUMIL MULTI POINT DOOR LOCKS.....		68
AUTOMATIC ELECTROMAGNETIC LOCKING SOLUTION.....		69
ELECTRIC LATCH PLATE.....		70
ACCESS CONTROL WITH KEYPAD.....		71
ACCESS CONTROL WITH FINGERPRINT SCANNER / WiFi.....		72
SINGLE POINT DOOR LOCK “COMBO”		73
LEVER SHOOT BOLT FOR COPLANAR DOORS.....		74
DOOR CLOSERS.....		75
DOOR STOPPERS.....		76
ALUMIL PROFILE CYLINDERS.....		77
SMART CYLINDER “LIBRA”		78
MECHANISM OF TRICKLE VENTILATORS.....		79
DOOR WIND SEALS.....		80
PANIC BAR MECHANISM STANDARD ALUMIL.....		81
PANIC BAR MECHANISM CONCEALED.....		82
CHAPTER 7 – SHUTTER HARDWARE.....		83
OPENING SHUTTER ACCESSORIES.....		83
ROTARY MOTORS FOR SHUTTERS.....		84
ADJUSTABLE SLAT MECHANISM FOR SHUTTERS.....		85
CHAPTER 8 – SKYLIGHT OPERATION SOLUTIONS / MOTORS.....		86
MANUAL SKYLIGHT MECHANISM.....		86
LINEAR MOTORS AC.....		87
LINEAR MOTORS DC.....		88
CHAIN ACTUATORS WITH SINGLE CHAIN.....		89

CHAIN ACTUATORS «SYNCHRO».....		90
WIRED KITS FOR ELECTRIC MOTOR CONTROL.....		91
WIRELESS KITS FOR ELECTRIC MOTOR CONTROL.....		92
CHAPTER 9 – INSULATING MATERIALS.....		93
ALUMIL FLAT FRAME INSULATING PROFILE.....		93
ALUMIL NRG BARS.....		94
CHAPTER 10 – OUTDOOR SOLUTIONS.....		95
ALUMIL J-BOND ALUMINIUM COMPOSITE PANELS.....		95
ALUMIL POLYCARBONATE SHEETS.....		96
WOODEE.....		97
WOODALUX.....		98
CHAPTER 11 – INSTALLATION MATERIALS.....		99
ALUMIL SEALANTS AND ASHESIVES (PART A).....		99
ALUMIL SEALANTS AND ASHESIVES (PART B).....		100
ALUMIL SYSTEM MOUNTING ACCESSORIES.....		101
ALUMIL SYSTEM SCREWS.....		102
BULDEX & YTONG SCREWS.....		103
ALUMIL SYSTEM ANCHORS.....		104
		105
CORNER CONNECTORS DIE CAST.....		106
ALUMIL SYSTEM ALUMINIUM ACCESSORIES.....		107
ALUMIL SYSTEM COMPOSITES.....		108
CHAPTER 12 – SPECIAL SYSTEM SOLUTIONS.....		109
ALUMIL S650 HANDLES WITH LOCKING KIT.....		109
ALUMIL M630 HANDLES.....		110
ALUMIL SF85 SYSTEM HARDWARE.....		111
ALUMIL MF65 SYSTEM HARDWARE.....		112
ALUMIL S500 HANDLES AND LOCKING KIT.....		113
ALUMIL M12500 HANDLES AND LINEAR CONTROLLER.....		114

CHAPTER 13 – SAFETY SOLUTIONS.....		115
CHILD SAFETY MECHANISM SOLUTIONS.....		115
CHILD SAFETY ACCESSORY FOR SLIDING SYSTEMS.....		116
MAGNETIC ALARM CONTACTS.....		117
		118
CHAPTER 13 – PUNCHING MACHINES.....		119
ALUMIL SUPREME SYSTEM PUNCHING MACHINE.....		119
ALUMIL PUNCHING MACHINES.....		120
ROTARY PNEUMATIC PUNCHING MACHINE WITH CHANGEABLE TOOLS.....		121
ALUMIL KNIVES AND MILLING TOOLS.....		122
CHAPTER 14 – FIRE RATED SOLUTIONS.....		123
EXTREME GLAZED SYSTEMS – FIRE / BULLET / EXPLOSION RESISTANT SYSTEMS.....		123
EXTREME GLAZED SYSTEMS – FIRE / BULLET / EXPLOSION RESISTANT SYSTEMS.....		124
FIRE-RATED METAL DOORS (part 1).....		125
FIRE-RATED METAL DOORS (part 2).....		126
MULTI-PURPOSE DOORS.....		127
GUARANTEE & EN STANDARDS.....		128
ACCESSORIES - ALUMIL 5 YEAR GUARANTEE.....		128
EN STANDARDS' GRADE CLASSIFICATIONS.....		129

ALUMIL 7mm PIN HANDLES

FUNCTION

Aluminium 7mm pin handles with Alumil Patented design and logo for opening, tilt-and-turn, sliding and curtain wall systems

TECHNICAL FEATURES

- Security Secustic® mechanism to prevent reverse (outside) rotation of the handle and offer anti-burglar protection
- Rotation from 0° to 180° with stop position at 90°
- 4 versions available:
 - **Standard:** for casement or sliding windows
 - **Full metal cover:** for casement or sliding windows
 - **Cranked:** for sliding or curtain wall windows
 - **Long:** for LNS mechanism of 90kg or for windows with many locking points (increased torque)
- Available also in pairs for in-out application (without Secustic)
- Flush handle available for the outside
- Pin fixed on handle

MATERIALS

- Full aluminium main body
- Polyamide base
- Base cover plastic (Standard / Long) or metal (Metal cover / Cranked)
- Galvanized pin

SURFACE COATING

- White powder coating RAL 9016
- Black powder coating RAL 9712 mat
- Brown powder coating RAL 8707
- Silver / Titanium / Bronze anodization
- Special colors upon request

CERTIFICATION

- Certified according to EN 13126-3:2012-02
- Durability:
 - Grade 3/180 -> 10.000 cycles
 - 15.000 cycles - Independent test
- Corrosion resistance: Grade 5 -> 480 hours salt-spray test [EN 1670]
- 10 Year operational Guarantee
- Alumil 5 Year Guarantee

Standard



Metal cover



Long



Cranked (*Left)



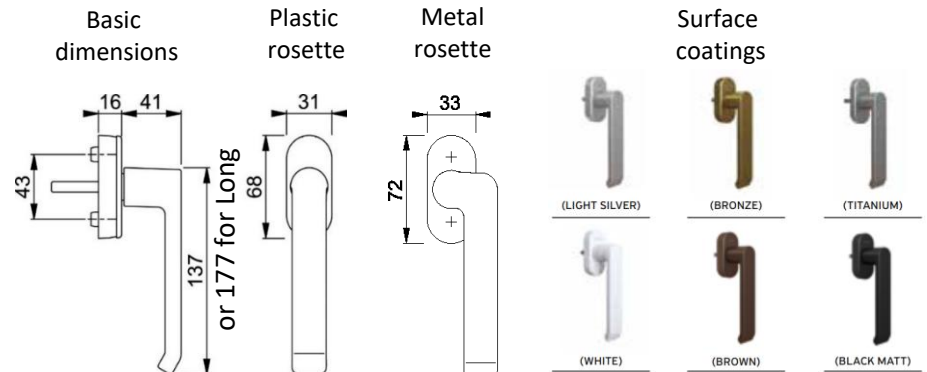
Flush handle



T/T Mechanism
100kg

Sliding Systems

Curtain Wall



CODES & DESCRIPTIONS

EX-3809072502 WINDOW STANDARD HANDLE SECUSTIC ALUMIL PIN25mm WHITE
 EX-3809072506 WINDOW STANDARD HANDLE SECUSTIC ALUMIL PIN25mm BROWN
 EX-3809072561 WINDOW STANDARD HANDLE SECUSTIC ALUMIL PIN25mm BLACK MATT
 EX-3809072533 WINDOW STANDARD HANDLE SECUSTIC ALUMIL PIN25mm LIGHT SILVER F1
 EX-3809072507 WINDOW STANDARD HANDLE SECUSTIC ALUMIL PIN25mm BRONZE F4
 EX-3809072567 WINDOW STANDARD HANDLE SECUSTIC ALUMIL PIN25mm TITANIUM F9
 Available also in 38mm PIN length as EX-38090738xx

EX-3808972502 WINDOW METAL COVER HANDLE SECUSTIC ALUMIL PIN25mm WHITE
 EX-3808972506 WINDOW METAL COVER HANDLE SECUSTIC ALUMIL PIN25mm BROWN
 EX-3808972561 WINDOW METAL COVER HANDLE SECUSTIC ALUMIL PIN25mm BLACK MATT
 EX-3808972533 WINDOW METAL COVER HANDLE SECUSTIC ALUMIL PIN25mm LIGHT SILVER F1
 EX-3808972507 WINDOW METAL COVER HANDLE SECUSTIC ALUMIL PIN25mm BRONZE F4
 EX-3808972567 WINDOW METAL COVER HANDLE SECUSTIC ALUMIL PIN25mm TITANIUM F9
 Available also in 38mm PIN length as EX-38000976xx

EX-3809173802 WINDOW LONG HANDLE SECUSTIC ALUMIL PIN38mm WHITE
 EX-3809173806 WINDOW LONG HANDLE SECUSTIC ALUMIL PIN38mm BROWN
 EX-3809173861 WINDOW LONG HANDLE SECUSTIC ALUMIL PIN38mm BLACK MATT
 EX-3809173833 WINDOW LONG HANDLE SECUSTIC ALUMIL PIN38mm LIGHT SILVER F1
 EX-3809173807 WINDOW LONG HANDLE SECUSTIC ALUMIL PIN38mm BRONZE F4
 EX-3809173867 WINDOW LONG HANDLE SECUSTIC ALUMIL PIN38mm TITANIUM F9

EX-3809273802 DOUBLE STANDARD HANDLE SET SLIDING ALUMIL PIN60mm WHITE
 EX-3809273806 DOUBLE STANDARD HANDLE SET SLIDING ALUMIL PIN60mm BROWN
 EX-3809273861 DOUBLE STANDARD HANDLE SET SLIDING ALUMIL PIN60mm BLACK MATT
 EX-3809273833 DOUBLE STANDARD HANDLE SET SLIDING ALUMIL PIN60mm LIGHT SILVER F1
 EX-3809273807 DOUBLE STANDARD HANDLE SET SLIDING ALUMIL PIN60mm BRONZE F4
 EX-3809273867 DOUBLE STANDARD HANDLE SET SLIDING ALUMIL PIN60mm TITANIUM F9

EX-3809373802 DOUBLE LONG HANDLE SET SLIDING ALUMIL PIN60mm WHITE
 EX-3809373806 DOUBLE LONG HANDLE SET SLIDING ALUMIL PIN60mm BROWN
 EX-3809373861 DOUBLE LONG HANDLE SET SLIDING ALUMIL PIN60mm BLACK MATT
 EX-3809373833 DOUBLE LONG HANDLE SET SLIDING ALUMIL PIN60mm LIGHT SILVER F1
 EX-3809373807 DOUBLE LONG HANDLE SET SLIDING ALUMIL PIN60mm BRONZE F4
 EX-3809373867 DOUBLE LONG HANDLE SET SLIDING ALUMIL PIN60mm TITANIUM F9

EX-3805420302 FLUSH HANDLE FOR SLIDINGS WHITE
 EX-3805420306 FLUSH HANDLE FOR SLIDINGS BROWN
 EX-3805420361 FLUSH HANDLE FOR SLIDINGS BLACK MAT
 EX-3805420333 FLUSH HANDLE FOR SLIDINGS LIGHT SILVER F1
 EX-3805420307 FLUSH HANDLE FOR SLIDINGS BRONZE F4
 EX-3805420367 FLUSH HANDLE FOR SLIDINGS TITANIUM F9

EX-3809573802 CRANKED HANDLE FACADE/SLIDING SECUSTIC ALUMIL PIN38mm LEFT WHITE
 EX-3809573861 CRANKED HANDLE FACADE/SLIDING SECUSTIC ALUMIL PIN38mm LEFT BLACK MATT
 EX-3809573833 CRANKED HANDLE FACADE/SLIDING SECUSTIC ALUMIL PIN38mm LEFT LIGHT SILVER F1
 EX-3809573867 CRANKED HANDLE FACADE/SLIDING SECUSTIC ALUMIL PIN38mm LEFT TITANIUM F9
 EX-3809673802 CRANKED HANDLE FACADE/SLIDING SECUSTIC ALUMIL PIN38mm RIGHT WHITE
 EX-3809673861 CRANKED HANDLE FACADE/SLIDING SECUSTIC ALUMIL PIN38mm RIGHT BLACK MATT
 EX-3809673833 CRANKED HANDLE FACADE/SLIDING SECUSTIC ALUMIL PIN38mm RIGHT LIGHT SILVER F1
 EX-3809673867 CRANKED HANDLE FACADE/SLIDING SECUSTIC ALUMIL PIN38mm RIGHT TITANIUM F9

7mm PIN LOCKABLE HANDLES

FUNCTION

Lockable 7mm pin handles for opening, tilt/turn and sliding systems for enhanced security

TECHNICAL FEATURES

- According to EN 13126-3, the only way to reach RC2 anti-burglar performance is by using lockable handle
- Applicable to common use areas to control window use
- Push in lockable function to block the handle movement in closed position
- Keys are identical for all handles
- Standard handle with key:
 - Extra security Secuforte® mechanism to prevent reverse (outside) rotation of the handle, as the rotation is only performed when lightly pressed
 - Self-adjustable pin from 20 to 30mm length
 - Works with the Alumil tilt and turn mechanisms and multiple locking point sliding locks
- TBT4 handle:
 - Used for tilt before turn windows
 - Movement only to tilt and closing positions available without the use of the key to allow ventilation and locking of the window
 - Movement to opening position requires the use of the key to allow cleaning and maintenance
 - When moving from opening to tilting position without the key, the reverse action is not allowed

MATERIALS

- Aluminium main body
- Polyamide base and cover
- Galvanized pin

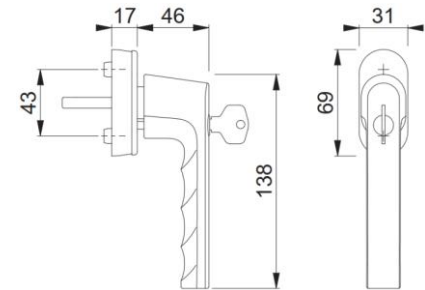
SURFACE COATING

- White powder coating RAL 9016
- Black powder coating RAL 9712 matte
- Brown powder coating RAL 8707
- Silver / Titanium / Bronze anodization

CERTIFICATION

- Alumil 5 Year Guarantee
- 10 Year operational Guarantee
- Certified according to EN 13126-3:2012-02
- Window handle with key Secuforte:
 - Durability: Grade 3/180 -> 10.000 Tilt & Turn Cycles
 - Corrosion resistance: Grade 3 -> 96 hours salt-spray test
 - Security: Grade 3/3 -> 200 Nm resistance against twisting-off and forcing-off / Key-operated locking mechanism with minimum 100 locking variations
- Window handle TBT:
 - Durability: Grade 3/180 -> 10.000 Tilt & Turn Cycles

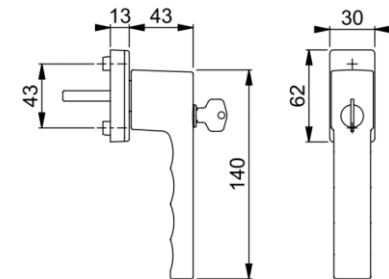
Standard Handle with Key



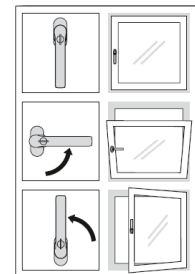
Secuforte® operation



TBT Handle with Key



TBT operation



CODES & DESCRIPTIONS

EX-3809083002	WINDOW HANDLE WITH KEY SECUFORTE PIN20-30mm WHITE
EX-3809083006	WINDOW HANDLE WITH KEY SECUFORTE PIN20-30mm BROWN
EX-3809083061	WINDOW HANDLE WITH KEY SECUFORTE PIN20-30mm BLACK
EX-3809083033	WINDOW HANDLE WITH KEY SECUFORTE PIN20-30mm LIGHT SILVER F1
EX-3809083007	WINDOW HANDLE WITH KEY SECUFORTE PIN20-30mm BRONZE F4
EX-3809083067	WINDOW HANDLE WITH KEY SECUFORTE PIN20-30mm TITANIUM F9
EX-3803933202	HANDLE TILT BEFORE TURN PIN32mm WHITE
EX-3803933206	HANDLE TILT BEFORE TURN PIN32mm BROWN
EX-3803933203	HANDLE TILT BEFORE TURN PIN32mm BLACK MATT
EX-3803933233	HANDLE TILT BEFORE TURN PIN32mm SILVER ANODISING F1
EX-3803933207	HANDLE TILT BEFORE TURN PIN32mm BRONZE ANODIZING F4
EX-3803933267	HANDLE TILT BEFORE TURN PIN32mm TITANIUM ANODISING F9

ALUMIL 7mm PIN SLIM HANDLES

FUNCTION

Narrow rosette handles for open out, sliding and curtain wall systems with Alumil Patented design and logo

TECHNICAL FEATURES

- 7mm pin
- Alumil patented handle design
- Available in right and left-handed versions
- Operated only between 0-90°
- Pin length 63mm for use at outward openings (SMARTIA S67 & SUPREME S77)
- Available version with key (not branded) for RC2 performance

MATERIALS

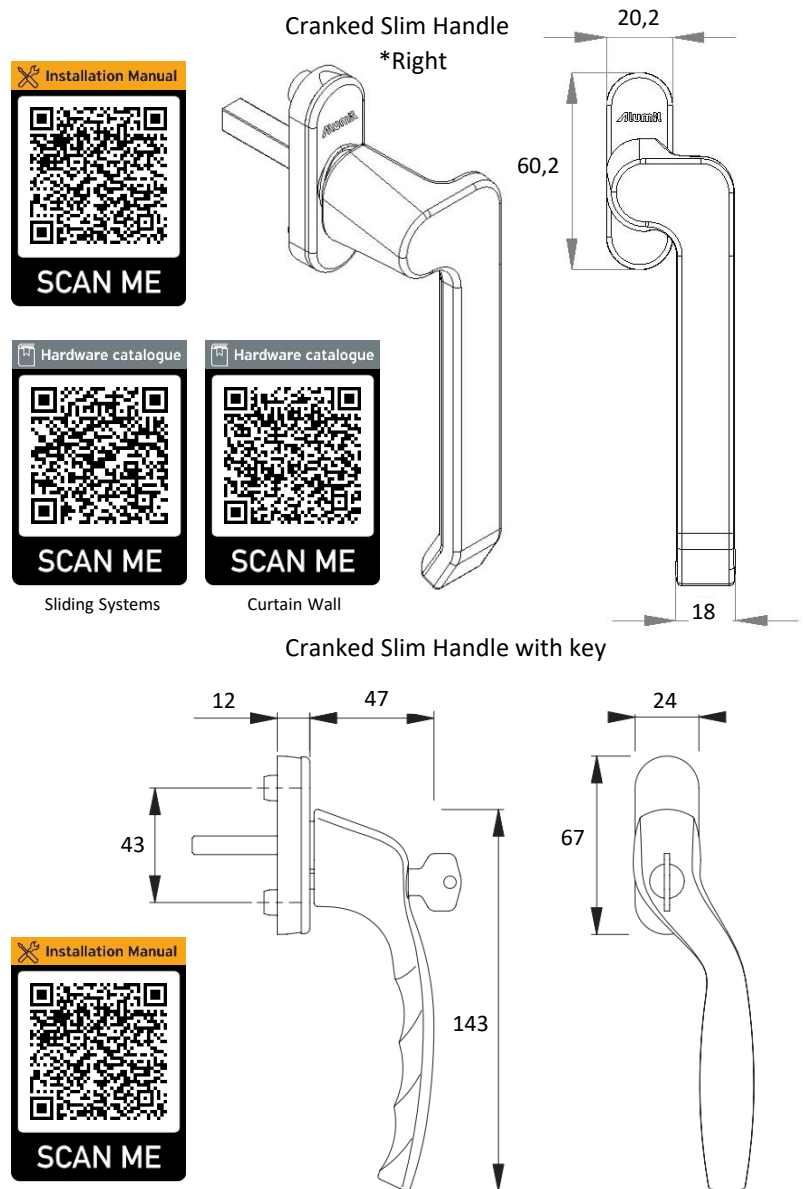
- Full aluminum main body
- Polyamide base
- Base cover plastic
- Galvanized pin

SURFACE COATING

- White powder coating RAL 9016
- Black powder coating RAL 9712 matte
- Brown powder coating RAL 8707
- Silver / Titanium / Bronze anodization

CERTIFICATION

- Alumil 5 Year Guarantee
- Corrosion resistance: Grade 4 -> 240 hours salt-spray test [EN 1670]
- 10 Year operational Guarantee



CODES & DESCRIPTIONS

EX-3809476602	CRANKED SLIM HANDLE FACADE/SLIDING ALUMIL PIN63mm LEFT WHITE
EX-3809476606	CRANKED SLIM HANDLE FACADE/SLIDING ALUMIL PIN63mm LEFT BROWN
EX-3809476661	CRANKED SLIM HANDLE FACADE/SLIDING ALUMIL PIN63mm LEFT BLACK MATTE
EX-3809476633	CRANKED SLIM HANDLE FACADE/SLIDING ALUMIL PIN63mm LEFT LIGHT SILVER F1
EX-3809476607	CRANKED SLIM HANDLE FACADE/SLIDING ALUMIL PIN63mm LEFT BRONZE
EX-3809476667	CRANKED SLIM HANDLE FACADE/SLIDING ALUMIL PIN63mm LEFT TITANIUM F9
EX-3809976602	CRANKED SLIM HANDLE FACADE/SLIDING ALUMIL PIN63mm RIGHT WHITE
EX-3809976606	CRANKED SLIM HANDLE FACADE/SLIDING ALUMIL PIN63mm RIGHT BROWN
EX-3809976661	CRANKED SLIM HANDLE FACADE/SLIDING ALUMIL PIN63mm RIGHT BLACK MATTE
EX-3809976633	CRANKED SLIM HANDLE FACADE/SLIDING ALUMIL PIN63mm RIGHT LIGHT SILVER F1
EX-3809976607	CRANKED SLIM HANDLE FACADE/SLIDING ALUMIL PIN63mm RIGHT BRONZE
EX-3809976667	CRANKED SLIM HANDLE FACADE/SLIDING ALUMIL PIN63mm RIGHT TITANIUM F9
EX-3808177133	WINDOW CRANKED HANDLE 7mm LOCKABLE PIN63mm LEFT F1
EX-3808177033	WINDOW CRANKED HANDLE 7mm LOCKABLE PIN63mm RIGHT F1

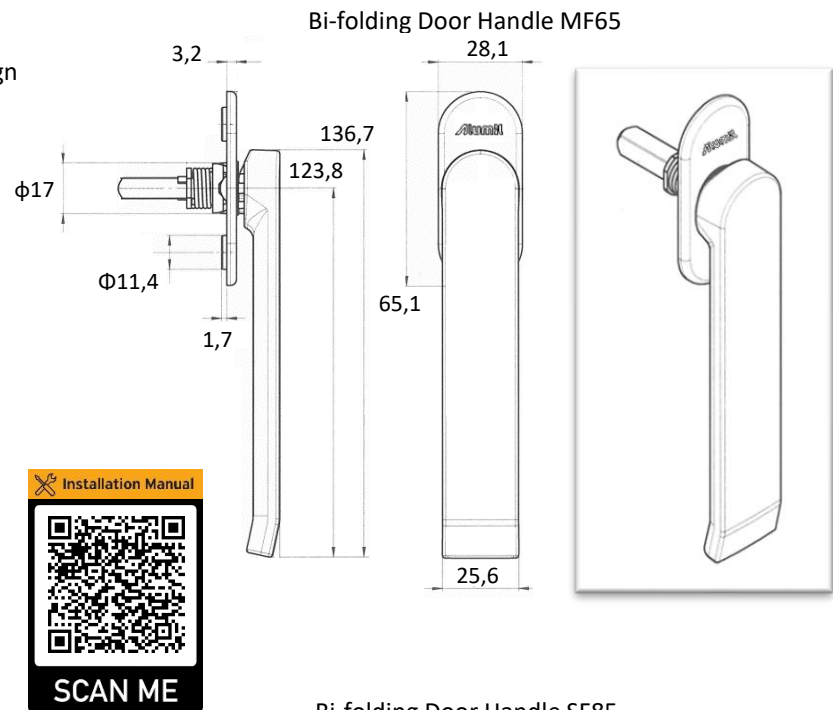
ALUMIL 7mm PIN BI-FOLDING DOOR HANDLES

FUNCTION

Special handles for bi-folding doors with Alumil Patented design and logo

TECHNICAL FEATURES

- 2 models for Alumil systems SMARTIA MF65 & SUPREME SF85
- Alumil patented handle design on both models
- Allow 360° rotation with stop at 90°
- 7mm pin
- Alumil bi-folding door handle SF85 designed for minimum overall rosette height, just 15mm



MATERIALS

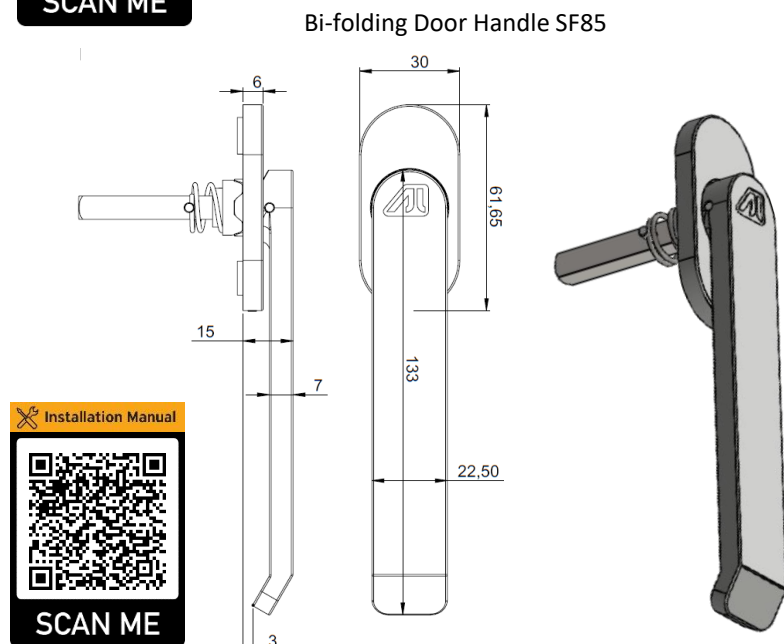
- Full aluminum main body
- Aluminum base
- Aluminum cover
- Galvanized pin

SURFACE COATING

- White powder coating RAL 9016
- Black powder coating RAL 9712 matte
- Silver / Titanium anodization
- Natural / Black anodized SF85 bi-folding door handle

CERTIFICATION

- Alumil 5 Year Guarantee
- 10 Year operational Guarantee



CODES & DESCRIPTIONS

- | | |
|---------------|---|
| EX-3808501202 | HANDLE FOR BIFOLDING DOOR MF65 ALUMIL WHITE |
| EX-3808501261 | HANDLE FOR BIFOLDING DOOR MF65 ALUMIL BLACK MATT |
| EX-3808501233 | HANDLE FOR BIFOLDING DOOR MF65 ALUMIL SILVER F1 |
| EX-3808501267 | HANDLE FOR BIFOLDING DOOR MF65 ALUMIL TITANIUM F9 |

- | | |
|----------------|---|
| INT-3808501133 | HANDLE FOR BIFOLDING DOOR SF85 NATURAL ANODISED |
| INT-3808501145 | HANDLE FOR BIFOLDING DOOR SF85 BLACK ANODISED |

ALUMIL 7mm PIN MINIMAL HANDLES

NEW!
UPDATE

FUNCTION

Window aluminium 7mm pin handles without rosette, with Alumil patented design and logo, suitable for opening and sliding systems

TECHNICAL FEATURES

- 7mm pin
- Alumil patented handle design and Alumil logo
- Right and left operation
- Rotation from 0° to 180° with stop position at 90°
- Pin length equal to 25mm
- Quick-Fit® pin system
- Suitable with all standard mechanisms with 7mm pin slot

NEW!
UPDATE

Preview



Installation Manual



SCAN ME

MATERIALS

- Full aluminium main body
- Zamak base
- Galvanized pin

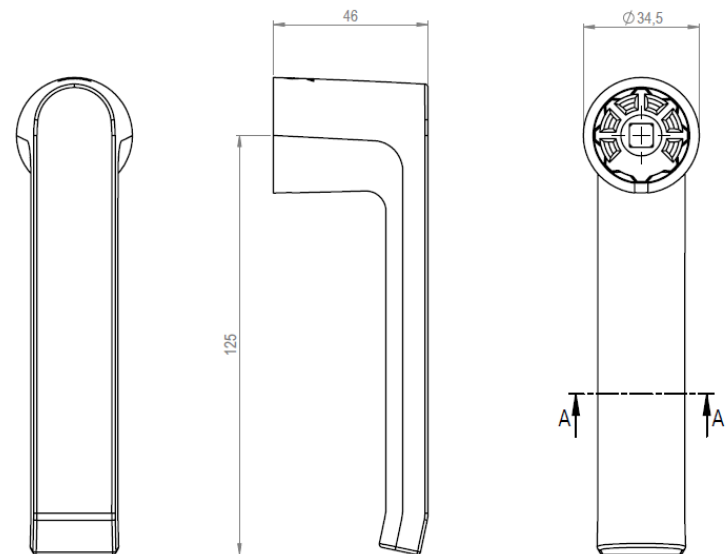
SURFACE COATING

- White powder coating RAL 9016
- Black powder coating RAL 9712 matte
- Silver / Titanium anodization

CERTIFICATES

- Alumil 5 Year Guarantee
- 10 Year operational Guarantee
- Durability:
 - 15.000 cycles - Independent test

Drawing



CODES & DESCRIPTIONS

EX-3800747033	WINDOW MINIMAL HANDLE WITHOUT ROSETTE ALUMIL 25mm SILVER F1
EX-3800747061	WINDOW MINIMAL HANDLE WITHOUT ROSETTE ALUMIL 25mm BLACK MATTE
EX-3800747002	WINDOW MINIMAL HANDLE WITHOUT ROSETTE ALUMIL 25mm WHITE
EX-3800747067	WINDOW MINIMAL HANDLE WITHOUT ROSETTE ALUMIL 25mm TITANIUM F9

ROSETTES FOR REMOVABLE PIN HANDLE

FUNCTION

Aluminum rosettes for public places that ensure the non-operation of the windows by unwanted users

TECHNICAL FEATURES

- Rosette details:
 - Sliding partial cover cap
 - Base supporting lugs
 - Concealed fixing with M5 thread screws
 - Suitable for covering the window gear
- Detachable handle with 7mm pin with length 45mm

Rosette



Detachable handle



MATERIALS

- Full aluminum main body of handle and rosette
- Galvanized pin
- Nylon base rosette

SURFACE COATING

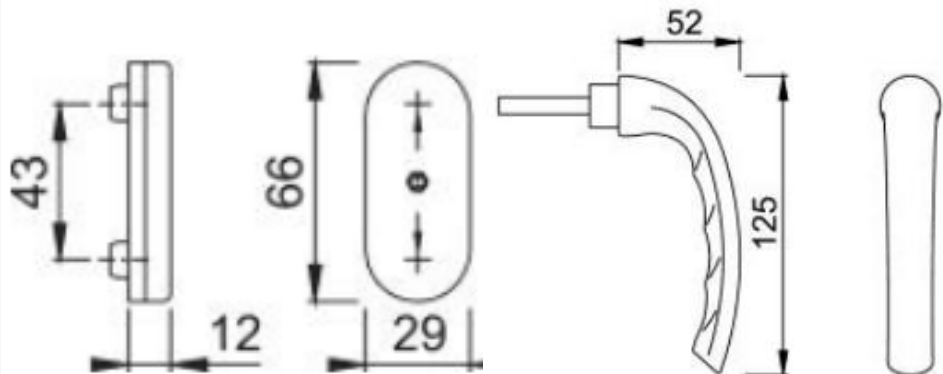
- Removable handle:
 - White powder coating RAL 9016
- Rosette:
 - White powder coating RAL 9016
 - Black powder coating RAL 9005 mat
 - Silver / Titanium anodization
 - Special colors upon request

CERTIFICATION

- 10 Year operational Guarantee
- Alumil 5 Year Guarantee

Rosette drawing

Handle drawing



CODES & DESCRIPTIONS

EX-3807071102	ROSETTE FOR DETACHABLE HANDLE 7mm WHITE
EX-3807071161	ROSETTE FOR DETACHABLE HANDLE 7mm BLACK MAT
EX-3807071167	ROSETTE FOR DETACHABLE HANDLE 7mm F9 TITANIUM
EX-3807071133	ROSETTE FOR DETACHABLE HANDLE 7mm LIGHT SILVER F1
EX-3807071002	HANDLE DETACHABLE 7mm WHITE

ALUMIL 7mm FLUSH PIN HANDLES

FUNCTION

Flush pin handles with 7mm pin that offer full opening at first sash in sliding systems

TECHNICAL FEATURES

- Combined with multi point sliding locks because of the 7mm pin
- Offers flush installation with the sash
- Performs 90° pin rotation by the use of the button
- Pin length equal to 20mm
- Equipped with closing indicator (red lock icon)
- Different article for right or left rotation

MATERIALS

- Zamak main body
- Glass reinforced (30%) polyamide handle and base
- A2 stainless steel screw

SURFACE COATING

- White powder coating RAL 9016
- Black powder coating RAL 9005
- Silver powder coating RAL 9006

CERTIFICATION

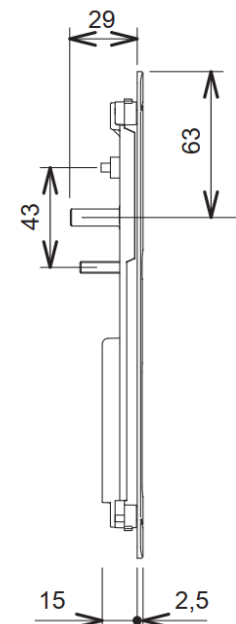
- Certified according to EN 13126-3
- Durability: Grade 3/180 -> 25.000 cycles
- Corrosion resistance: Grade 4 -> 240 hours salt-spray test [EN 1670]
- Alumil 5 Year Guarantee



Preview



Drawings



CODES & DESCRIPTIONS

EX-6107801002	CLIPPED METAL FLUSH HANDLE FOR SLIDING DOORS PIN20mm RIGHT WHITE
EX-6107801003	CLIPPED METAL FLUSH HANDLE FOR SLIDING DOORS PIN20mm RIGHT BLACK
EX-6107801009	CLIPPED METAL FLUSH HANDLE FOR SLIDING DOORS PIN20mm RIGHT SILVER
EX-6107801102	CLIPPED METAL FLUSH HANDLE FOR SLIDING DOORS PIN20mm LEFT WHITE
EX-6107801103	CLIPPED METAL FLUSH HANDLE FOR SLIDING DOORS PIN20mm LEFT BLACK
EX-6107801109	CLIPPED METAL FLUSH HANDLE FOR SLIDING DOORS PIN20mm LEFT SILVER

7mm PIN POP-UP HANDLES

FUNCTION

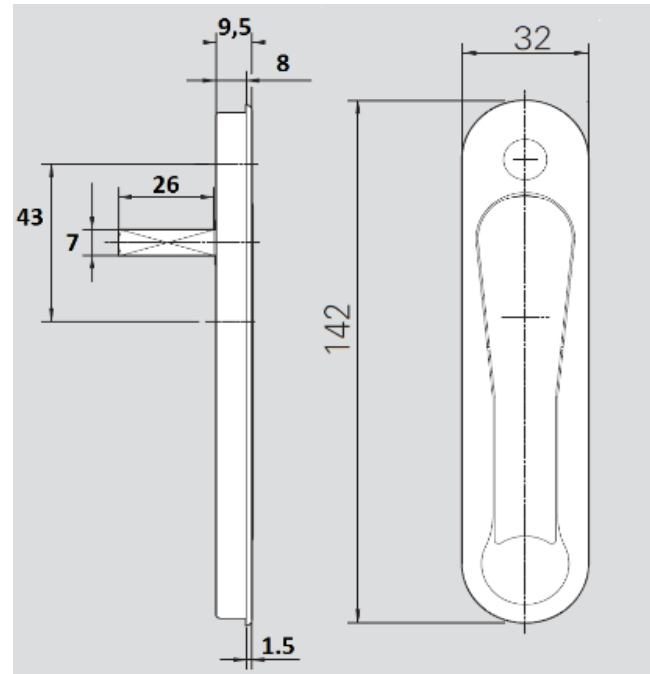
Pop up handles with 7mm pin for sliding windows and shutters

TECHNICAL FEATURES

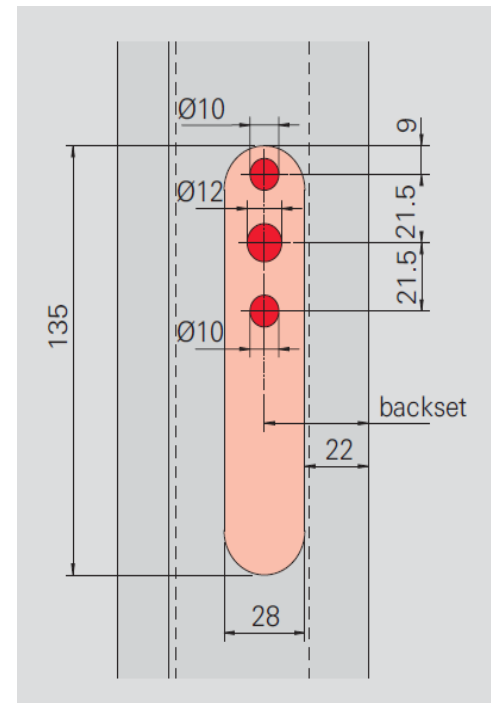
- Standard fit for Alumil multi point sliding locks
- Fitting allows full opening of parallel sliding sashes
- Minimum depth for installation on all Alumil systems
- Important notice: Lever is for lock operation ONLY. The flush part of the handle should be used for sliding
- Black screw caps for black and silver handles
- White screw caps for white handles



Dimensions



Milling on profile



MATERIALS

- Aluminium main body
- Aluminium handle
- Galvanized pin

SURFACE COATING

- White powder coating RAL 9016
- Black powder coating RAL 9005
- Silver powder coating RAL 9006

CERTIFICATION

- Alumil 5 Year Guarantee



CODES & DESCRIPTIONS

EX-6105708102	POP-UP HANDLE SPINDLE 26mm WHITE
EX-6105708103	POP-UP HANDLE SPINDLE 26mm BLACK
EX-6105708109	POP-UP HANDLE SPINDLE 26mm SILVER

MINIMAL DOOR HANDLES WITH MINI ROSETTE



FUNCTION

Minimal Alumil door handles with patented design and discrete rosette

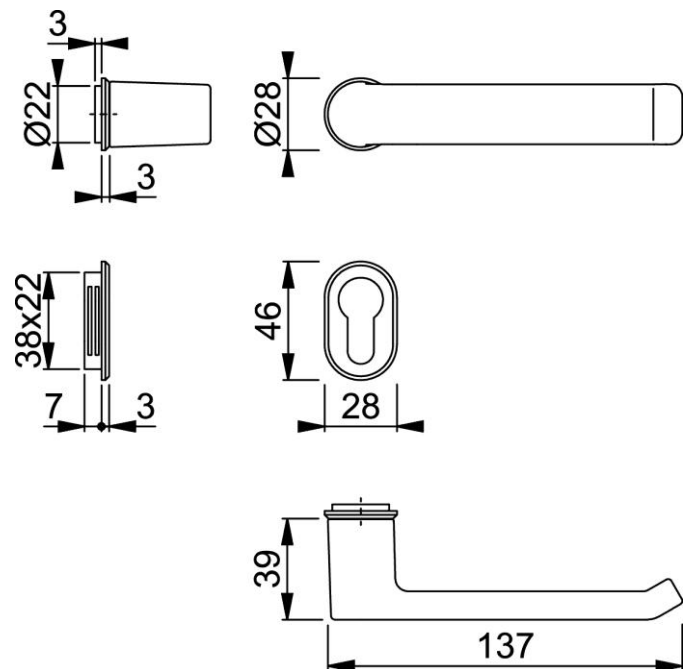
TECHNICAL FEATURES

- Minimal design with a mini rosette in both handle and cylinder
- 8mm standard pin
- Patented design with Alumil logo
- Applicable to 60-100mm sash width
- Quick-Fit® pin system

Preview



Drawing



MATERIALS

- Full aluminium main body
- Aluminium handle
- Galvanized pin

SURFACE COATING

- White powder coating RAL 9016
- Black powder coating RAL 9712 matte
- Silver anodization

CERTIFICATION

- Alumil 5 Year Guarantee

ΚΩΔΙΚΟΙ & ΠΕΡΙΓΡΑΦΕΣ

- | | |
|---------------|---|
| EX-3801747033 | PAIR DOOR HANDLE WITH MINI ROSETTE ALUMIL SILVER F1 |
| EX-3801747061 | PAIR DOOR HANDLE WITH MINI ROSETTE ALUMIL BLACK MATTE |
| EX-3801747002 | PAIR DOOR HANDLE WITH MINI ROSETTE ALUMIL WHITE |

ALUMIL 8mm PIN DOOR HANDLES

FUNCTION

Aluminium door handles with Alumil Patented design and logo

TECHNICAL FEATURES

- 5 versions available
 - Paired handle with cylinder rosette (oval)
 - Paired handle with interior door rosette (round)
 - Paired or single handle with full body rosette
 - Paired handle with full body rosette and fixed outside knob
 - Single cranked handle
- Handles without full body rosette come with separate spring and have Quick-Fit® pin system
- Handles with full body rosette have pins attached on body
- Cranked handle allows easy operation with increased handling space for outside opening doors
- For in-out handle installation for the oval rosette handle the sash width is from 60 to 100mm. The total pin length is 158mm
- Cranked handle comes without pin, therefore any 8mm spindle can be installed in any length (85 to 190mm)

MATERIALS

- Full aluminium main body
- Polyamide base
- Aluminium base cover
- Galvanized pin

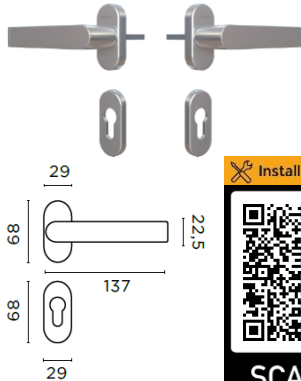
SURFACE COATING

- White powder coating RAL 9016
- Black powder coating RAL 9712 mat
- Brown powder coating RAL 8707
- Silver / Titanium / Bronze anodized
- Special colors upon request

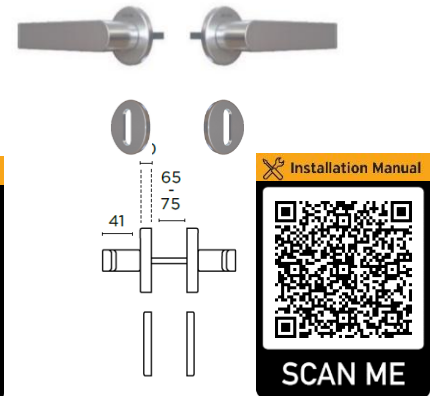
CERTIFICATION

- Certified according to EN 1906:2012
- Durability:
 - Handle set with full plate:
 - Grade 6 -> 100.000 cycles
 - 182.500 cycles - Independent test for residential use
 - Handle set with separate rosette:
 - Grade 7 -> 200.000 cycles
 - 255.500 cycles - Test for non-residential use
- Corrosion resistance: Grade 4 -> 240 hours salt-spray test
- 10 Year operational Guarantee
- ISO 9001 / ISO 14001
- Alumil 5 Year Guarantee

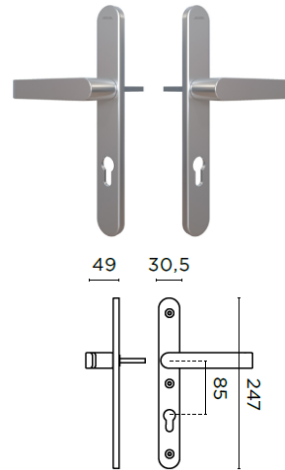
Door handle set with oval rosette



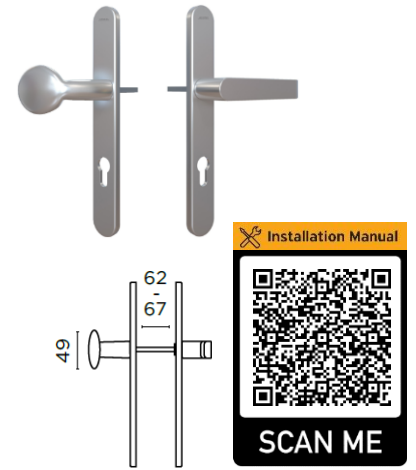
Door handle set for interior door



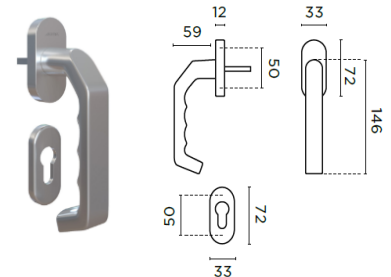
Door handle set/single with full body rosette



Door handle set with full body rosette & knob



Single door handle cranked - Spindle - Escutcheon



CODES & DESCRIPTIONS

EX-3809761033	DOOR HANDLE SET WITH OVAL ROSETTE ALUMIL LIGHT SILVER F1	EX-3809788233	DOOR HANDLE SET WITH FULL BODY ROSETTE & KNOB ALUMIL LIGHT SILVER F1
EX-3809761006	DOOR HANDLE SET WITH OVAL ROSETTE ALUMIL BROWN	EX-3809771033	SINGLE DOOR HANDLE CRANKED ALUMIL LIGHT SILVER F1
EX-3809761002	DOOR HANDLE SET WITH OVAL ROSETTE ALUMIL WHITE	EX-3809771133	ESCUTCHEON FOR CRANKED HANDLE 33x72mm LIGHT SILVER F1
EX-3809761061	DOOR HANDLE SET WITH OVAL ROSETTE ALUMIL BLACK MATT	EX-3801808500	SPINDLE FOR CRANKED HANDLE 8x85mm
EX-3809761007	DOOR HANDLE SET WITH OVAL ROSETTE ALUMIL F4 BRONZE	EX-3801810500	SPINDLE FOR CRANKED HANDLE 8x105mm
EX-3809761067	DOOR HANDLE SET WITH OVAL ROSETTE ALUMIL TITANIUM F9	EX-3801812500	SPINDLE FOR CRANKED HANDLE 8x125mm
EX-3809868133	DOOR HANDLE SET FOR INTERIOR DOOR ALUMIL LIGHT SILVER F1	EX-3801813500	SPINDLE FOR CRANKED HANDLE 8x135mm
EX-3809788033	DOOR HANDLE SET WITH FULL BODY ROSETTE ALUMIL 85mm LIGHT SILVER F1	EX-3801814500	SPINDLE FOR CRANKED HANDLE 8x145mm
EX-3809788006	DOOR HANDLE SET WITH FULL BODY ROSETTE ALUMIL 85mm BROWN	EX-3801815500	SPINDLE FOR CRANKED HANDLE 8x155mm
EX-3809788002	DOOR HANDLE SET WITH FULL BODY ROSETTE ALUMIL 85mm WHITE	EX-3804682700	SPINDLE FOR CRANKED HANDLE 8x170mm
EX-3809788061	DOOR HANDLE SET WITH FULL BODY ROSETTE ALUMIL 85mm BLACK MATT	EX-3804683500	SPINDLE FOR CRANKED HANDLE 8x190mm
EX-3809788007	DOOR HANDLE SET WITH FULL BODY ROSETTE ALUMIL 85mm BRONZE	EX-3801853100	EXPANSION SPINDLE FOR SINGLE HANDLE 8x65mm
EX-3809788067	DOOR HANDLE SET WITH FULL BODY ROSETTE ALUMIL 85mm TITANIUM F9	EX-3801855500	EXPANSION SPINDLE FOR SINGLE HANDLE 8x75mm
EX-3809788133	SINGLE DOOR HANDLE WITH FULL BODY ROSETTE ALUMIL 85mm LIGHT SILVER F1	EX-3807196700	EXPANSION SPINDLE FOR SINGLE HANDLE 8x85mm
EX-3809788106	SINGLE DOOR HANDLE WITH FULL BODY ROSETTE ALUMIL 85mm BROWN	EX-3802232133	CYLINDER ESCUTCHEON PAIR 29x68mm LIGHT SILVER F1
EX-3809788102	SINGLE DOOR HANDLE WITH FULL BODY ROSETTE ALUMIL 85mm WHITE	EX-3802232106	CYLINDER ESCUTCHEON PAIR 29x68mm BROWN
EX-3809788161	SINGLE DOOR HANDLE WITH FULL BODY ROSETTE ALUMIL 85mm BLACK MATT	EX-3802232102	CYLINDER ESCUTCHEON PAIR 29x68mm WHITE
EX-3809788107	SINGLE DOOR HANDLE WITH FULL BODY ROSETTE ALUMIL 85mm BRONZE	EX-3802232107	CYLINDER ESCUTCHEON PAIR 29x68mm BRONZE
EX-3809788167	SINGLE DOOR HANDLE WITH FULL BODY ROSETTE ALUMIL 85mm TITANIUM F9	EX-3802232167	CYLINDER ESCUTCHEON PAIR 29x68mm TITANIUM
		EX-3802232161	CYLINDER ESCUTCHEON PAIR 29x68mm BLACK MATT

ALUMIL 8mm PIN ANTIMICROBIAL SUPREME DOOR HANDLES



FUNCTION

Door handles for Alumil Supreme Systems with Alumil logo covered by antimicrobial protection

Preview



TECHNICAL FEATURES

- Standard 8mm pin
- Polyester powder designed for the external environment offering excellent resistance to light and weather conditions
- Powder also contains silver ions, which provide complete and effective life-lasting antimicrobial protection when present in top coating of metallic products
- Antimicrobial protection is the ability of a material to eliminate or inactivate microbes such as bacteria, fungi, (including mould) and virus
- A design that offers great quality, modern aesthetics
- Different article for right or left rotation
- Production of handle and rosette hot die casting procedure
- Rotation angle of 40°
- Available rosette spacer pair for SUPREME SD115 glass version (1 pair per handle for both rosettes)



Antimicrobial protection



MATERIALS

- Full zamak main body, base and rosette

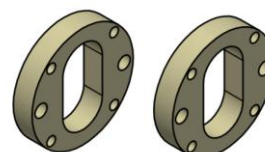
SURFACE COATING

- Mat Nickel
- Black mat
- Final coating of antimicrobial powder

CERTIFICATION

- Certified according to EN 1906:2012
- Durability: Grade 6 -> 100.000 cycles
- Corrosion resistance: Grade 4 -> 240 hours salt-spray test [EN 1670]
- ISO 22196: 2011 [Antibacterial activity]
- ISO 9001:2008
- Alumil 5 Year Guarantee

Rosette Spacer for glass doors



CODES & DESCRIPTIONS

INT-4552005022	ANTIMICROBIAL DOOR HANDLE ALUMIL WITH SQUARE ROSSETTE SD RIGHT MAT NICKEL
INT-4552005122	ANTIMICROBIAL DOOR HANDLE ALUMIL WITH SQUARE ROSSETTE SD LEFT MAT NICKEL
EX-4552145022	SQUARE ROSSETTE FOR SD DOOR HANDLE MAT NICKEL
INT-4552005061	ANTIMICROBIAL DOOR HANDLE ALUMIL WITH SQUARE ROSSETTE SD RIGHT BLACK MAT
INT-4552005161	ANTIMICROBIAL DOOR HANDLE ALUMIL WITH SQUARE ROSSETTE SD LEFT BLACK MAT
EX-4552145061	SQUARE ROSSETTE FOR SD DOOR HANDLE BLACK MAT
EX-4552005200	ROSETTE SPACER PAIR FOR GLASS DOOR SD115



ALUMIL CREMONES

NEW!
UPDATE

FUNCTION

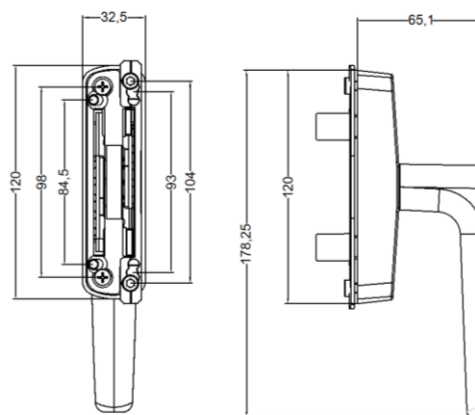
Cremones for casement and tilt/turn windows with Alumil patented design and logo

TECHNICAL FEATURES

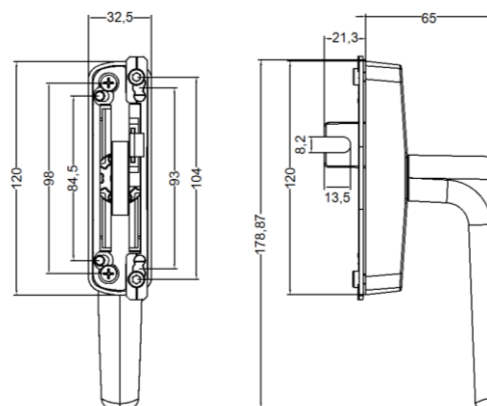
- Two fork version for casement windows
- One fork version for tilt/turn windows using the Alumil "Standard" TnT euro groove mechanism
- Applicable to all Alumil 15/20 euro groove hinged systems
- Engraved Alumil logo on the body



Casement cremone



Euro groove TnT cremone



MATERIALS

- Main body, lever, internal mechanism and forks made of die casted zamak [EN 1774]
- Inox counter plate

SURFACE COATING

- White powder coating RAL 9016
- Black powder coating RAL 9005 matte
- Silver powder coating (anodic ice)

CERTIFICATION

- Certified according to EN 13126-3:2011
- Durability: Grade 5 -> 25.000 cycles
- Corrosion: Grade 5 -> 480 hours salt-spray [EN 1670]
- Alumil 5 Year Guarantee

CODES & DESCRIPTIONS

EX-3806060002	CASEMENT CREMONE ALUMIL WHITE
EX-3806060003	CASEMENT CREMONE ALUMIL BLACK
EX-3806060011	CASEMENT CREMONE ALUMIL ANODIC ICE
EX-3806061002	EURO GROOVE T/T MECHANISM CREMONE ALUMIL WHITE
EX-3806061003	EURO GROOVE T/T MECHANISM CREMONE ALUMIL BLACK
EX-3806061011	EURO GROOVE T/T MECHANISM CREMONE ALUMIL ANODIC ICE

ALUMIL LOCKABLE CREMONES

FUNCTION

Cremones with key for casement and tilt/turn windows with Alumil logo

TECHNICAL FEATURES

- Two fork version for casement windows
- One fork version for tilt/turn windows using the Alumil t/t euro groove mechanism
- Applicable to all Alumil 15/20 euro groove hinged systems
- Engraved Alumil logo on the body



MATERIALS

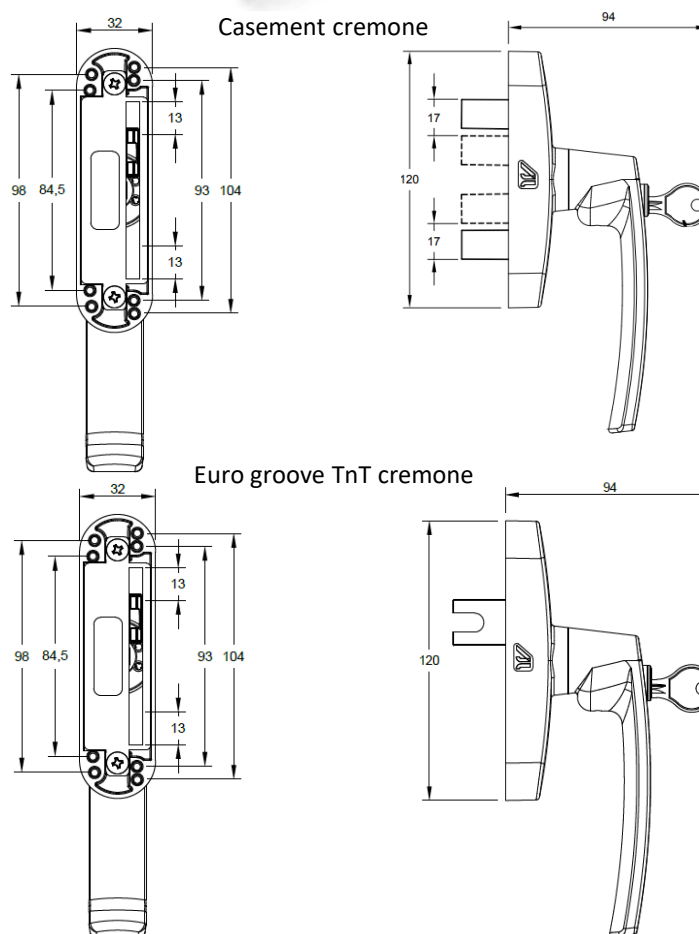
- Main body, lever, internal mechanism and forks made of die casted zamak (EN 1774)
- Inox counter plate
- Inox TCEI 5MAx10mm allen screws

SURFACE COATING

- White powder coating RAL 9016
- Black matte powder coating RAL 9005 mat
- Silver powder coating (anodic ice)

CERTIFICATION

- Certified according to EN 13126-3:2011
- Durability: Grade 5 -> 25.000 cycles
- Corrosion resistance: Grade 4 -> 240 hours salt-spray test [EN 1670]
- Alumil 5 Year Guarantee



CODES & DESCRIPTIONS

EX-3802431002	ALUMIL CASEMENT CREMONE WITH KEY WHITE
EX-3802431003	ALUMIL CASEMENT CREMONE WITH KEY BLACK
EX-3802431009	ALUMIL CASEMENT CREMONE WITH KEY SILVER ANODIC ICE
EX-3802504002	ALUMIL EURO GROOVE T/T MECHANISM CREMONE WITH KEY WHITE
EX-3802504003	ALUMIL EURO GROOVE T/T MECHANISM CREMONE WITH KEY BLACK
EX-3802504009	ALUMIL EURO GROOVE T/T MECHANISM CREMONE WITH KEY SILVER ANODIC ICE

ALUMIL CREMONES FOR OUTWARD OPENING & SHUTTER SYSTEMS

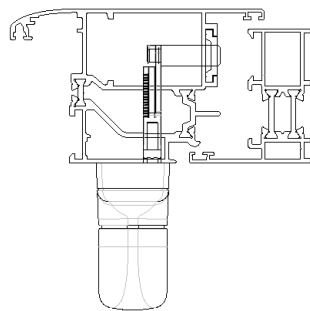
FUNCTION

Cremones for casement outward opening windows and shutters with Alumil logo

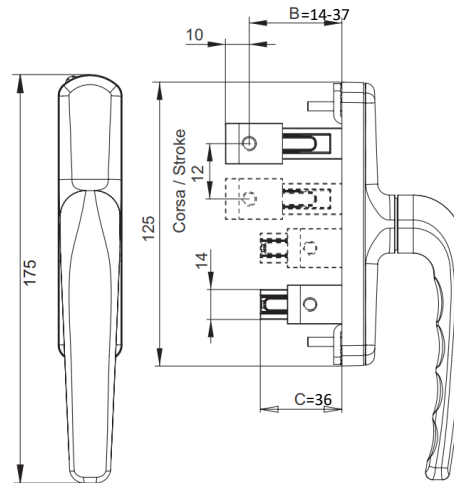
TECHNICAL FEATURES

- Two fork cremone with two-way movement
- Mechanical grip with metric screws on profile for long lasting and sturdy fixing
- Curved design for opening away from frame profile
- Adjustable forks allow for the same item to be used on various profiles with excellent fitting
- Sturdy full metal body allows multiple locking points to be operated with ease
- Applicable to Alumil SMARTIA M15000, M9660, M11000, M940, M9400, S67 and SUPREME S77

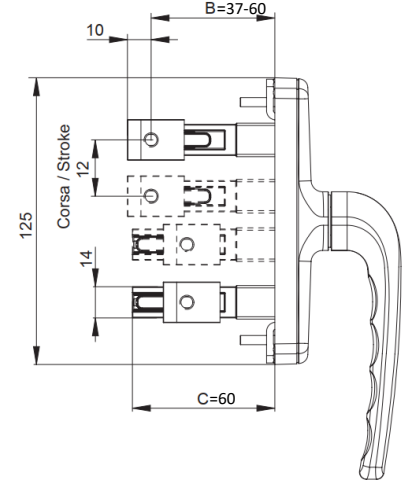
Application on profile



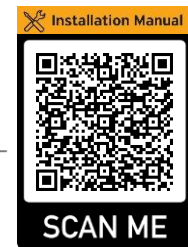
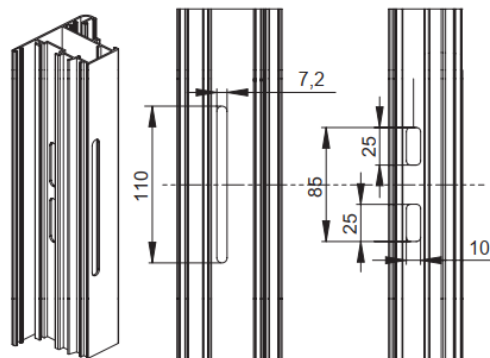
EX-38060282xx



EX-38060283xx



Milling on profiles



MATERIALS

- Die cast aluminum handle
- Zamak case, cover case, rotor, racks and sliders
- Delrin guide and bush
- Stainless steel screws

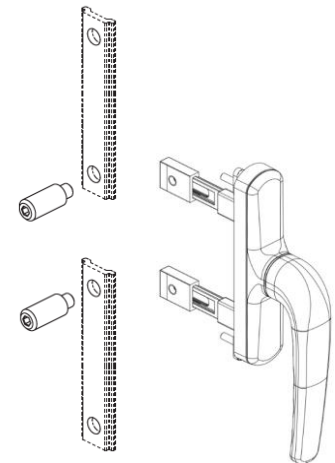
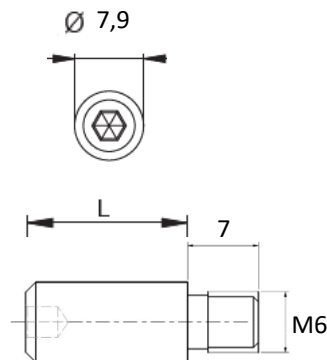
SURFACE COATING

- White powder coating RAL 9010
- Black powder coating RAL 9005 mat
- Silver powder coated Anodic Ice

CERTIFICATION

- Certified according to EN 13126-1 & 13126-4
- Durability: Grade 5 -> 25.000 cycles
- Corrosion resistance: Grade 4 -> 240 hours salt-spray test
- Alumil 5 Year Guarantee

Rod connector



CODES & DESCRIPTIONS

EX-3806028202 CREMONE FOR OUTWARD SIDE HUNG 14-37mm ALUMIL WHITE
 EX-3806028203 CREMONE FOR OUTWARD SIDE HUNG 14-37mm ALUMIL BLACK
 EX-3806028211 CREMONE FOR OUTWARD SIDE HUNG 14-37mm ALUMIL SILVER
 EX-3806028302 CREMONE FOR OUTWARD SIDE HUNG 37-60mm ALUMIL WHITE
 EX-3806028303 CREMONE FOR OUTWARD SIDE HUNG 37-60mm ALUMIL BLACK
 EX-3806028311 CREMONE FOR OUTWARD SIDE HUNG 37-60mm ALUMIL SILVER
 EX-3806028502 CREMONE FOR OUTWARD SIDE HUNG 30-52mm ALUMIL WHITE
 EX-3806028503 CREMONE FOR OUTWARD SIDE HUNG 30-52mm ALUMIL BLACK
 EX-3806028511 CREMONE FOR OUTWARD SIDE HUNG 30-52mm ALUMIL SILVER

EX-3804201800 ROD CREMONE CONNECTOR FOR OPEN OUT L=18mm
 EX-3804202200 ROD CREMONE CONNECTOR FOR OPEN OUT L=22mm
 EX-3806028000 ROD CREMONE CONNECTOR FOR OPEN OUT L=25mm
 EX-3804202700 ROD CREMONE CONNECTOR FOR OPEN OUT L=27mm

ALUMIL 10mm PIN LIFT/SLIDE RECTANGULAR HANDLES

NEW!
UPDATE

FUNCTION

Aluminium handles for lift/slide systems with Alumil logo and patented design

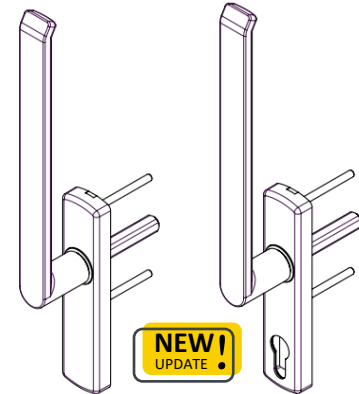
TECHNICAL FEATURES

- 180° rotation on the handle
- Full metal cover rosette
- Rosette in orthogonal shape according to synchronous aesthetics
- Pin 10mm
- Available single handle for internal installation
- Available also in pairs for in-out application with cylinder hole
- Rosette in single handle is detachable
- Available rosette covers for single handle to transform a rosette without cylinder hole to rosette with cylinder hole

3d preview



Internal handle with 2 rosette options



MATERIALS

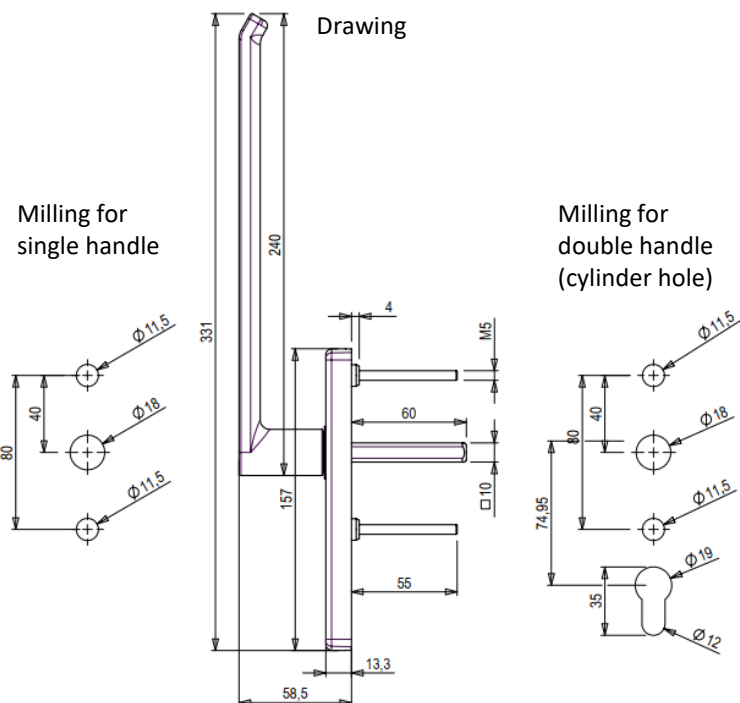
- Full aluminium main body
- Zamak base
- Aluminium base cover
- Galvanized pin

SURFACE COATING

- White powder coating RAL 9016
- Black powder coating RAL 9005 matte
- Silver anodized

CERTIFICATION

- Certified according to EN 13126-16:2008
- Durability: Grade 5 -> 25.000 cycles
- Corrosion resistance: Grade 5 -> 480 hours salt-spray test [EN 1670]
- Alumil 5 Year Guarantee



CODES & DESCRIPTIONS

EX-3801824002	LS HANDLE ALUMIL WITH RECTANGULAR ROSETTE PIN50mm WHITE
EX-3801824003	LS HANDLE ALUMIL WITH RECTANGULAR ROSETTE PIN50mm BLACK
EX-3801824033	LS HANDLE ALUMIL WITH RECTANGULAR ROSETTE PIN50mm F1
EX-3801824102	RECTANGULAR ROSETTE WITH CYL HOLE WHITE
EX-3801824103	RECTANGULAR ROSETTE WITH CYL HOLE BLACK
EX-3801824133	RECTANGULAR ROSETTE WITH CYL HOLE F1
EX-3801825002	DOUBLE LS HANDLE ALUMIL WITH RECTANGULAR ROSETTE PIN50mm CYL HOLE WHITE
EX-3801825003	DOUBLE LS HANDLE ALUMIL WITH RECTANGULAR ROSETTE PIN50mm CYL HOLE BLACK
EX-3801825033	DOUBLE LS HANDLE ALUMIL WITH RECTANGULAR ROSETTE PIN50mm CYL HOLE F1

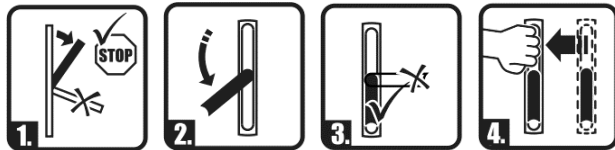
10mm PIN POP-UP LIFT/SLIDE HANDLES

FUNCTION

Pop up handles with 10mm pin for lift/slide systems

TECHNICAL FEATURES

- Maximum sash weight 150kg
- Pin 10mm
- Offers flush installation with the sash
- 180° rotation on the pop-up handle
- Both right and left rotation
- Do not use handle in the 90° position to lift/slide the sash
- Important notice: Lever is for lock operation ONLY. The flush part of the handle should be used for sliding



Left opening



Right opening

MATERIALS

- Aluminium main body
- Aluminium handle
- Galvanized pin

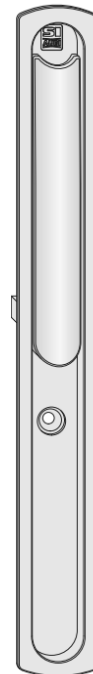
SURFACE COATING

- White powder coating RAL 9016
- Black powder coating RAL 9005
- Silver powder coating RAL 9006

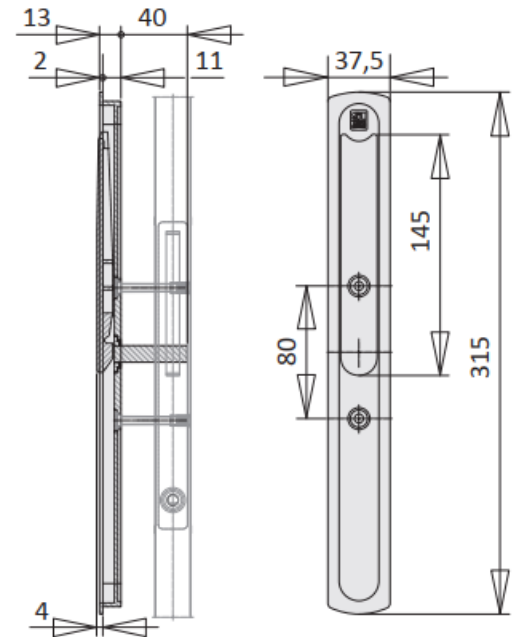
CERTIFICATION

- Alumil 5 Year Guarantee

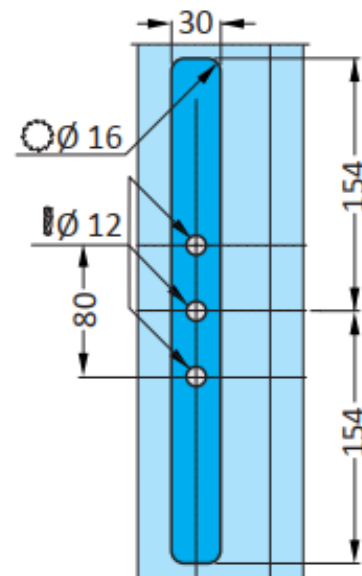
Preview



Dimensions



Milling on profile



CODES & DESCRIPTIONS

EX-3802501002	POP-UP HANDLE FOR LIFT AND SLIDE 150 kg WHITE RAL9016
EX-3802501003	POP-UP HANDLE FOR LIFT AND SLIDE 150 kg RAL9005 BLACK
EX-3802501009	POP-UP HANDLE FOR LIFT AND SLIDE 150 kg SILVER EV1

STAINLESS STEEL FIXED DOOR HANDLES ALUMIL

FUNCTION

Stainless steel fixed handles for entrance doors with Alumil logo

TECHNICAL FEATURES

- 3 different designs of modern aesthetics
 - Flat 40x10mm
 - Tubular Ø30
 - Tubular Ø30 with 55° legs
- 5 different lengths from 400 to 1800mm
- Available in single or pair versions with stabilizing rosette for single handles or installation kit for pair ones
- Also available standard handles of length 26cm
 - “Minimal” handle
 - “Classic” handle

MATERIALS

- AISI 304 stainless steel main body
- Stainless steel screws included in the package
- Stainless steel stabilizing rosettes included in the package

SURFACE COATING

- Stainless steel finishing at all handles
- Mat chrome for Classic handle

CERTIFICATION

- Corrosion resistance: Grade 4 -> 240 hours salt-spray test [EN 1670]
- Alumil 5 Year Guarantee

Flat design



Installation Manual

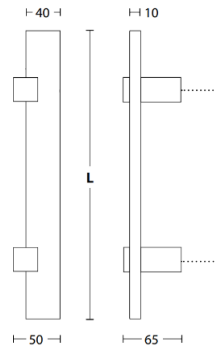


SCAN ME

Installation Manual

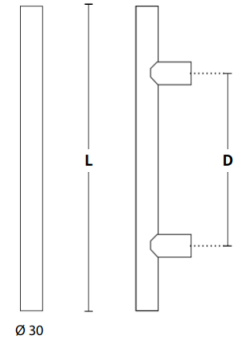


SCAN ME



L:400	D:230
L:800	D:600
L:1000	D:800
L:1400	D:1200
L:1800	D:1600

Tubular design



Installation Manual



SCAN ME

Installation Manual



SCAN ME

Single

Pair

Classic

Minimal



Installation Manual



SCAN ME

Installation Manual



SCAN ME

Installation Manual



SCAN ME

Single 55°

Installation Manual



SCAN ME

Pair 55°

CODES & DESCRIPTIONS

EX-4554910416	FIXED DOOR HANDLE ALUMIL FLAT INOX 400mm
EX-4554910816	FIXED DOOR HANDLE ALUMIL FLAT INOX 800mm
EX-4554911016	FIXED DOOR HANDLE ALUMIL FLAT INOX 1000mm
EX-4554911416	FIXED DOOR HANDLE ALUMIL FLAT INOX 1400mm
EX-4554911816	FIXED DOOR HANDLE ALUMIL FLAT INOX 1800mm
EX-4552710416	FIXED DOOR HANDLE ALUMIL TUBULAR INOX 400mm
EX-4552710816	FIXED DOOR HANDLE ALUMIL TUBULAR INOX 800mm
EX-4552711016	FIXED DOOR HANDLE ALUMIL TUBULAR INOX 1000mm
EX-4552711416	FIXED DOOR HANDLE ALUMIL TUBULAR INOX 1400mm
EX-4552711816	FIXED DOOR HANDLE ALUMIL TUBULAR INOX 1800mm
EX-4552730416	FIXED DOOR HANDLE ALUMIL TUBULAR INOX 55 DEG 400mm
EX-4552730816	FIXED DOOR HANDLE ALUMIL TUBULAR INOX 55 DEG 800mm
EX-4552731016	FIXED DOOR HANDLE ALUMIL TUBULAR INOX 55 DEG 1000mm
EX-4552731416	FIXED DOOR HANDLE ALUMIL TUBULAR INOX 55 DEG 1400mm
EX-4552731816	FIXED DOOR HANDLE ALUMIL TUBULAR INOX 55 DEG 1800mm

EX-4554920416	PAIR OF FIXED DOOR HANDLES ALUMIL FLAT INOX 400mm
EX-4554920816	PAIR OF FIXED DOOR HANDLES ALUMIL FLAT INOX 800mm
EX-4554921016	PAIR OF FIXED DOOR HANDLES ALUMIL FLAT INOX 1000mm
EX-4554921416	PAIR OF FIXED DOOR HANDLES ALUMIL FLAT INOX 1400mm
EX-4554921816	PAIR OF FIXED DOOR HANDLES ALUMIL FLAT INOX 1800mm
EX-4552720416	PAIR OF FIXED DOOR HANDLES ALUMIL TUBULAR INOX 400mm
EX-4552720816	PAIR OF FIXED DOOR HANDLES ALUMIL TUBULAR INOX 800mm
EX-4552721016	PAIR OF FIXED DOOR HANDLES ALUMIL TUBULAR INOX 1000mm
EX-4552721416	PAIR OF FIXED DOOR HANDLES ALUMIL TUBULAR INOX 1400mm
EX-4552721816	PAIR OF FIXED DOOR HANDLES ALUMIL TUBULAR INOX 1800mm
EX-4552740416	PAIR OF FIXED DOOR HANDLES ALUMIL TUBULAR INOX 55 DEG 400mm
EX-4552740816	PAIR OF FIXED DOOR HANDLES ALUMIL TUBULAR INOX 55 DEG 800mm
EX-4552741016	PAIR OF FIXED DOOR HANDLES ALUMIL TUBULAR INOX 55 DEG 1000mm
EX-4552741416	PAIR OF FIXED DOOR HANDLES ALUMIL TUBULAR INOX 55 DEG 1400mm
EX-4552741816	PAIR OF FIXED DOOR HANDLES ALUMIL TUBULAR INOX 55 DEG 1800mm

EX-4551055116	FIXED DOOR HANDLE CLASSIC MAT CHROME
EX-4551705116	FIXED DOOR HANDLE MINIMAL INOX

BALCONY FINGER PULL HANDLE

FUNCTION

Exterior finger pull handle combined with the door catch provides an elegant solution for holding the sash in closed position if pulled from the outside

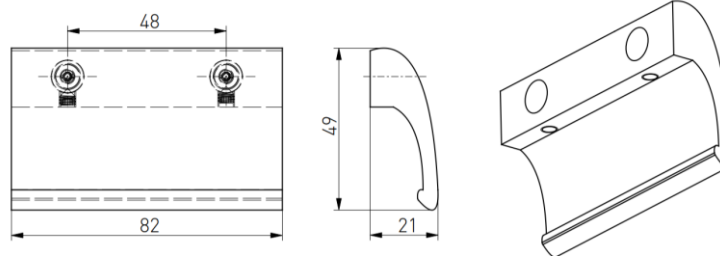
TECHNICAL FEATURES

- Elegant pull handle design
- Sturdy fixing ensures extended lifetime even for larger doors
- Pull handle fixing screws are not visible
- Available drilling jig for ease of installation
- Door catch available in euro groove and PVC groove versions

Pull handle preview



Pull handle drawings



MATERIALS

- Extruded aluminum pull handle
- Stainless steel screws
- Zamak and steel door catch

SURFACE COATING

- White powder coating RAL 9016
- Black powder coating RAL 9005 mat
- Silver anodized F1 mat
- Special colors upon request

CERTIFICATION

- Alumil 5 Year Guarantee

Euro groove door catch



PVC groove door catch



CODES & DESCRIPTIONS

EX-3801159002	EXTERIOR WINDOW FINGER PULL HANDLE WHITE
EX-3801159003	EXTERIOR WINDOW FINGER PULL HANDLE BLACK
EX-3801159033	EXTERIOR WINDOW FINGER PULL HANDLE NATURAL ANODIZED
EX-3801159999	DRILLING JIG FOR EXTERIOR WINDOW FINGER PULL HANDLE
EX-4159620000	DOOR CATCH WITH ROLLER EURO GROOVE
EX-4400440800	DOOR CATCH WITH ROLLER PVC GROOVE

ALUMIL “STANDARD” EURO GROOVE T/T MECHANISM 130KG

FUNCTION

Alumil branded Euro-groove hardware for all Alumil 15/20 sash euro groove profile systems

TECHNICAL FEATURES

- Tilt/turn hardware system available in two versions: compatible with both the Alumil cremone and the Alumil 7mm spindle handle
- Mishandling device for both handle versions
- All hardware components are suitable for left and right-handed windows
- Convenient 3D hardware adjustment
- General gasket pressure adjustment on all eccentric locking cams using a 4mm Allen key to achieve optimized pressure and tightness of the sash
- All hinge parts completely clampable, enabling efficient installation with no drilling necessary
- The connecting-rod $\varnothing 6\text{mm}$ coupling-system simplifies hardware installation
- The connecting-rod geometry is perfectly adapted to the 15/20 sash groove
- Identical hardware aesthetics of top stay hinge and bottom pivot rest - all flush with the sash overlap
- Also available in TBT version (Tilt at 90° and turn at 180°)
- Four different hardware locking options for the passive sash
- Sash width from 355 to 1700mm
- Sash height from 500 to 2800mm
- For sash widths exceeding 1400mm an additional stay arm is required
- Hardware load-bearing capacity tested up to 130kg sash weight
- Alumil branded

MATERIALS

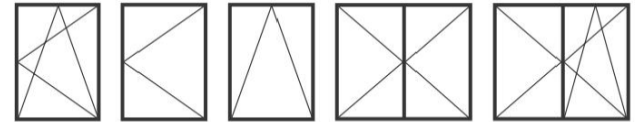
- Hardware components from high-quality steel, Zamac die-casting and aluminium alloys
- Aluminium components are anodized or powder-coated
- The steel components consist of stainless alloys

SURFACE COATING

- White powder coated hinges RAL 9016
- Black powder coated hinges RAL 9005
- Anodised silver hinges in F1/EV1 surface-finish
- Mill finish (non-treated) hinges for project-related coating
- Zamac die-casting components are subjected to bichromating surface treatment and an additional silver-coloured coating

CERTIFICATION

- Alumil extended 10 Year Guarantee (standard 5 years)
- Certified according to EN 13126-8:2006
- Durability: Grade H2 -> 10.000 cycles (equivalent to 40,000 individual turn, tilt and lock operations)
- Corrosion resistance:
 - Hardware set: Grade 4 -> 240 hours salt-spray test
 - Individual zinc die-cast component with bichromating treatment: Grade 5 -> 1.000 hours salt-spray test [EN 1670, EN 9227 based on EN 13126-1:2011]
- In accordance with REACH regulation (1907/2006/EG) regarding SVHC substances
- Tested in accordance with the requirements of the RAL-GZ 607/3:2009 Regulation by the German RAL institute
- DIN EN ISO 9001:2008



Mechanism illustration

Locking plate



Hardware catalogue



Adjustments		
Corner hinge	$\pm 1.0\text{ mm}$ lateral	$\pm 1.5\text{ mm}$ height
Stay arm	$\pm 3\text{ mm}$ lateral	$\pm 1\text{ mm}$ gasket pressure
Locking cams	$\pm 1\text{ mm}$ gasket pressure	

Hardware catalogue



Corner



Shoot bolts

Stay arm



Hinges



CODES & DESCRIPTIONS

Part numbers, descriptions and application ranges are depicted in the corresponding hardware catalogue and installation drawings.

ALUMIL "ADVANCED" EURO GROOVE T/T MECHANISM 150KG

FUNCTION

Alumil branded Euro-groove hardware for all Alumil 15/20 sash euro groove profile systems

TECHNICAL FEATURES

- Tilt/turn hardware system available in two versions: compatible with both the Alumil Euro Groove Tilt&Turn Cremone and the Alumil 7mm spindle handle
- Performing, due to innovative materials and technical solutions with an ease of adjustment in the three dimensions and fast assembly
- Mishandling device for both handle versions
- All hardware components are suitable for left and right-handed window.
- Convenient 3D hardware adjustment
- General gasket pressure adjustment on all eccentric locking cams using a 3mm Allen key to achieve optimized pressure and tightness of the sash
- All hinge parts completely clampable, enabling efficient installation with no drilling necessary
- The connecting-rod $\varnothing 6\text{mm}$ coupling-system simplifies hardware installation
- The connecting-rod geometry is perfectly adapted to the 15/20 sash groove
- Latch available for the second sash
- Tilt/Turn hardware system:
 - Sash width from 400 to 1700mm
 - Sash height from 500 to 2600mm
- For sash widths exceeding 1600mm an additional stay arm is required
- Hardware load-bearing capacity tested up to 150kg sash weight

MATERIALS

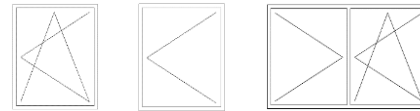
- Hardware components from high-quality steel, galvanized Zamak die-casting and aluminum alloys
- Aluminium components are powder-coated
- The steel components consist of stainless alloys

SURFACE COATING

- Black powder coating RAL 9005
- Silver powder coating Anodic ice
- White powder coating RAL 9016

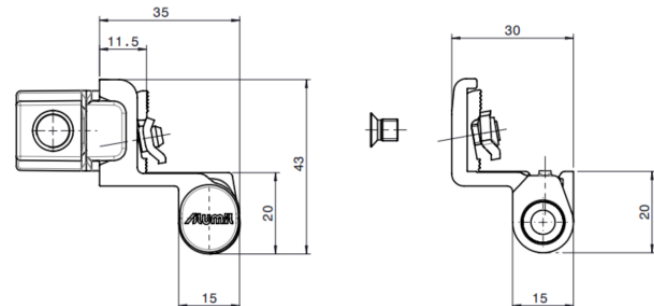
CERTIFICATION

- Certified by the German RAL Institute according to :
 - RAL GZ 607/3:2017
 - EN 13126-8: 2017
- Durability: Grade H2 -> 10.000 cycles (equivalent to 40,000 individual turn, tilt and lock operations)
- Corrosion resistance: Grade 5 -> 480 hours salt-spray test [EN 1670]
- Certified by SKG Dutch institute for its anti-burglary resistance
- Passed the test "load-bearing capacity of safety devices" [RAL GZ 607/3:2017]
- Alumil 5 Year Guarantee

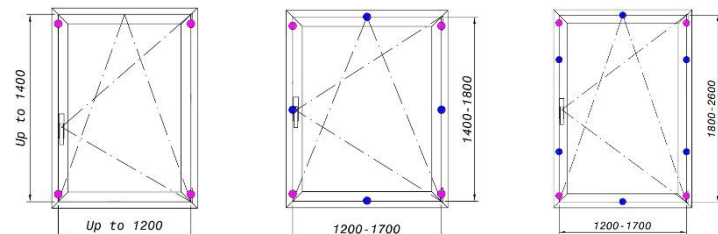


NEW!
UPDATE

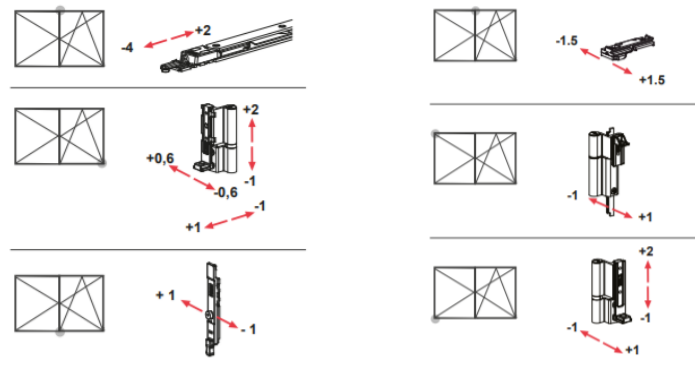
Hinge drawings



Extra locking points according to sash dimensions



3d adjustments



CODES & DESCRIPTIONS

Part numbers, descriptions and application ranges are depicted in the corresponding hardware catalogue and installation drawings.

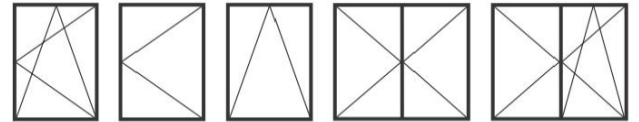
ALUMIL “STANDARD” CONCEALED EURO GROOVE T/T MECHANISM 150KG

FUNCTION

Alumil branded Euro-groove hardware for all Alumil 15/20 sash euro groove profile systems

TECHNICAL FEATURES

- Tilt/turn hardware system available in two versions: compatible with both the Alumil Cremone and the Secustic Alumil spindle handle.
- Tilt/turn hardware
 - Sash width from 530 to 1600mm
 - Sash height from 500 to 2800mm
- Mishandling device for both handle versions
- All hardware components are suitable for left and right-handed windows
- Convenient 3D hardware adjustment
- General gasket pressure adjustment on all eccentric locking cams using a 4mm Allen key to achieve optimized pressure and tightness of the sash
- Simple and intuitive assembly, with no drilling or template required
- The connecting-rod $\varnothing 6$ mm coupling-system simplifies hardware installation
- The connecting-rod geometry is perfectly adapted to the 15/20 sash groove
- Minimal aesthetics due to concealed hinges
- Four different hardware locking options for the passive sash
- Hardware load-bearing capacity tested up to 150kg sash weight
- Extra locking points according to sash dimensions
- Alumil branded



MATERIALS

- Hardware components from high-quality steel, Zamac die-casting and aluminium alloys
- The steel components consist of stainless alloys

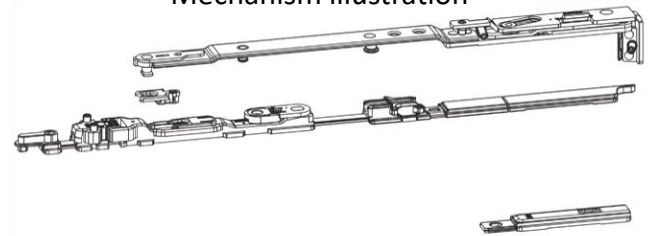
SURFACE COATING

- No additional surface treatment

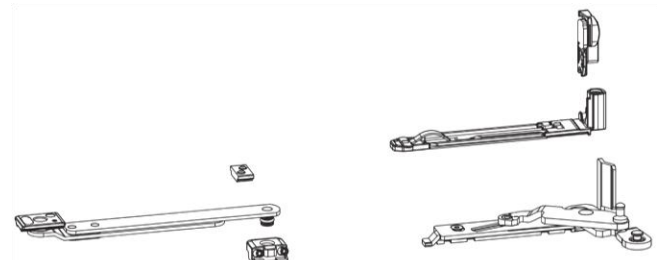
CERTIFICATION

- Alumil 5 Year Guarantee
- Certified according to EN 13126-8:2018-01
- Durability: Grade H2 -> 10.000 cycles (equivalent to 40,000 individual turn, tilt and lock operations)
- Corrosion resistance:
 - Hardware set: Grade 4 -> 240 hours salt-spray test
 - Individual zinc die-cast component with bichromating treatment: Grade 5 -> 1.000 hours salt-spray test [EN 1670, EN 9227 based on EN 13126-1:2011]
- In accordance with REACH regulation (1907/2006/EG) regarding SVHC substances
- DIN EN ISO 9001:2008

Mechanism illustration



Adjustments			
Stay Arm	+2,-4 mm Horizontal		
Locking Cams	± 1 mm Gasket Pressure		
Corner Hinge	+3,-1.5 mm Height	+2,-1 mm Horizontal	± 0.8 mm Gasket Pressure



CODES & DESCRIPTIONS

Part numbers, descriptions and application ranges are depicted in the corresponding hardware catalogue and installation drawings.

ALUMIL "ADVANCED" CONCEALED EURO GROOVE T/T MECHANISM 180KG

FUNCTION

Concealed tilt/turn mechanism for all Alumil euro groove systems suitable for tilt/turn, side-hung and bottom hung openings (skylights)

TECHNICAL FEATURES

- Available for bottom hung, side-hung and tilt/turn single and double windows
- Tilt/turn hardware system
 - Sash width from 422 to 1700mm
 - Sash height from 600 to 2600mm
- 180° window opening
- 180kg window capacity
- Simple and intuitive assembly, with no drilling or template required
- Patented 3D adjusting system
- Special hinge design for strong clamping in closed position and resistance to windload
- Easy one-man sash hanging
- Special hinges for bottom hung up to 160kg
- Combined with Alumil 7mm pin handle
- Standard 1 sash kit with WOSD on corner and top and bottom locking points
- Standard 2 sash kit with bottom shoot bolt
- Extra shoot bolt for top locking if required
- Extra locking points according to sash dimensions

MATERIALS

- Arm levers in stainless steel AISI 304
- Hinge levers in special galvanized steel

SURFACE COATING

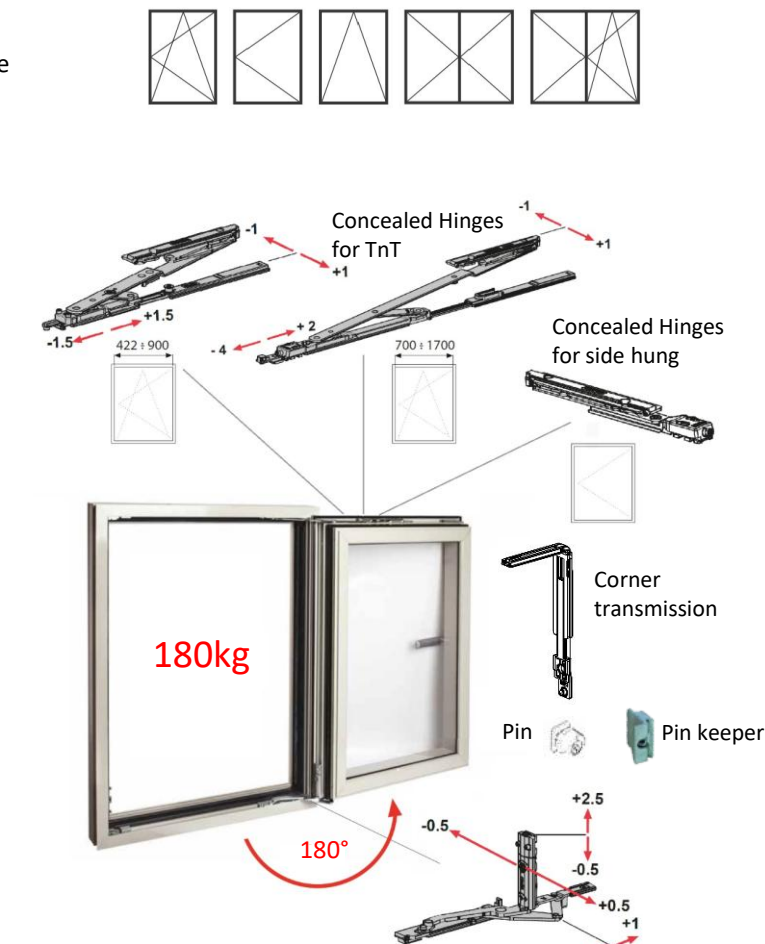
- No additional surface treatment

CERTIFICATION

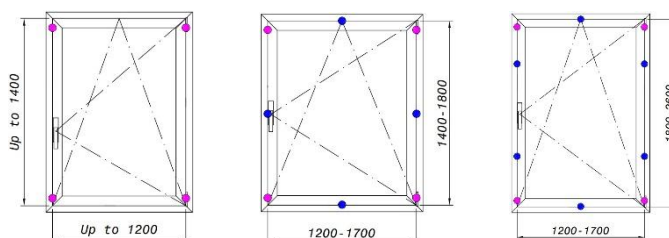
- Certified according to EN 13126-8:2006
- Durability: Grade 4 -> 15.000 cycles (equivalent to 60,000 individual turn, tilt and lock operations)
- Corrosion resistance: Hardware set: Grade 4 -> 240 hours salt-spray test
- Tested in accordance with the requirements of the RAL-GZ 607/3:2009 Regulation by the German RAL institute
- Passed the test "load-bearing capacity of safety devices" [EN 14351-1:2006-07]
- DIN EN 1191:2013-04
- Alumil 5 Year Guarantee

CODES & DESCRIPTIONS

EX-4211461000	SINGLE SASH BASIC T/T KIT
EX-4211462000	DOUBLE SASH BASIC T/T KIT WITH LOWER SECOND SASH LATCH
EX-4210650000	HANDLE MECHANISM (GEAR BOX) WITH PIN
EX-4211495000	CORNER TRANSMISSION FOR CONCEALED T/T MECH. 180KG
EX-4211596000	ADJUSTABLE PIN FOR ADDITIONAL LOCKING
EX-3601597100	PIN KEEPER FOR ADDITIONAL LOCKING
EX-4741500000	EXTRA TOP LATCH FOR DOUBLE SASH 215 MM
EX-4740412409	SINGLE KEEPER FOR LATCH EURO GROOVE ZAMAK SILVER GALV



Extra locking points according to sash dimensions



EX-4211200100	KIT OF CONCEALED HINGES 180KG TnT 480-800 RIGHT
EX-4211200200	KIT OF CONCEALED HINGES 180KG TnT 480-800 LEFT
EX-4211201100	KIT OF CONCEALED HINGES 180KG TnT 700-1700 RIGHT
EX-4211201200	KIT OF CONCEALED HINGES 180KG TnT 700-1700 LEFT
EX-4211204100	KIT OF CONCEALED HINGES 180KG SIDE HUNG RIGHT
EX-4211204200	KIT OF CONCEALED HINGES 180KG SIDE HUNG LEFT
EX-4211208000	KIT OF CONCEALED HINGES 120-160KG BOTTOM HUNG

PVC GROOVE T/T MECHANISM

NEW!
UPDATE

FUNCTION

PVC groove hardware system for all Alumil 16mm sash groove profile systems

TECHNICAL FEATURES

- Tilt/turn hardware system available in three versions according to hinge type:
 - **Drilled (D type)** - Surface mounted hardware with sash opening angle up to 180°
 - **Clamped (C type)** - Hardware components clamped to the frame without the need of drilling the profile
 - **Concealed - Clamped (C-C type)** - invisible hardware components clamped to the frame with sash opening angle up to 100°
- Available in two versions according to locking cam type, both with gasket pressure (± 1 mm) eccentric adjustment:
 - Security mushroom cam
 - Roller Cam
- Compatible with Alumil 7mm pin handle
- All hardware components are suitable for left and right-handed windows
- Convenient 3D hardware adjustment
- 2 different hardware locking options for the passive sash
- WOSD on the handle side gear
- 7.5 and 15mm backset of gear
- Gears available both for standard and variable handle height
- Fast and easy fabrication for mass production
- Very high security levels (up to RC3) depending on the system



MATERIALS

- Hardware components from high-quality steel, Zamac die-casting and aluminium alloys
- Aluminium components are anodized or powder-coated
- The steel components consist of stainless alloys

SURFACE COATING

- White / Black powder coated / Silver anodized finish for C type
- Cover caps available in a large selection of colors for D type
- Zamak die-casting components are subjected to bichromating surface treatment and an additional silver-coloured coating

CERTIFICATION

- Alumil extended 10 Year Guarantee (standard 5 years)
- Certified according to EN 13126-8:2006
- Durability: Grade 4 -> 15.000 cycles (equivalent to 60,000 individual turn, tilt and lock operations) on a 130kg sash
- Corrosion resistance:
 - Hardware set: Grade 4 -> 240 hours salt-spray test
 - Individual zinc die-cast component with bichromating treatment: Grade 5 -> 1.000 hours salt-spray test [EN 1670, EN 9227 based on EN 13126-1:2011]
- Tested in accordance with the requirements of the RAL-GZ 607/3:2009 Regulation by the German RAL institute
- In accordance with REACH regulation (1907/2006/EG) regarding SVHC substances
- DIN EN ISO 9001:2008

Types according to hinges



D type



C type



C-C type

Types according to locking cams



Security mushroom cam



Roller cam

CODES & DESCRIPTIONS

Part numbers, descriptions and application ranges are depicted in the corresponding hardware catalogue and installation drawings.

NEW!
 UPDATE

ALUMIL LIFT/SLIDE MECHANISM

FUNCTION

Alumil branded lift/slide hardware for all Alumil lift/slide systems providing smooth and quiet movement of sliding sashes and enhanced security.

TECHNICAL FEATURES

- Available in two versions based on locking type:
 - Alumil Pin on the Gear with flat striker on the frame**
 - Three oval shaped locking points
 - Gear available in two lengths for sash heights 1865-2765mm
 - Extensions of 500mm are available without locking point for aesthetics
 - Standard locking with the locking plate on the frame**
 - Two locking points with a third also available and concealed on the gear if required
 - Gear available in four lengths for sash heights 865-2765mm
 - Extensions of 500mm are available without locking point for aesthetics and with locking point for enhanced security
- Available in two basic versions based on sash weight:
 - Standard version: sashes up to 200kg
 - Heavy duty version: sashes up to 300kg (up to 600kg with additional rollers and lift-unit)
- Gear backset is 27.5mm
- Gears can accommodate profile cylinders for enhanced security
- Combined with Alumil 10mm pin handle
- Special locking plate for ventilation
- Tension spring available for smoother lifting of heavy sashes (>200kg). Retrofitting is possible
- Handle dampener available for smoother and safer lowering of the sash. Prevents high speed strike back of the handle. Recommended for sashes >100kg. Mainly used as a child safety device. Retrofitting is possible
- Sash width from 700 to 3.300mm
- A third light-weight version is also available for sashes up to 90kg. Two locking points only, with no gear extension and profile cylinder option available and for widths up to 1.900mm. Combined with Alumil 7mm pin long handle

MATERIALS

- Hardware components manufactured from high-quality steel, Zamac die-casting and aluminium alloys
- The steel components consist of stainless alloys

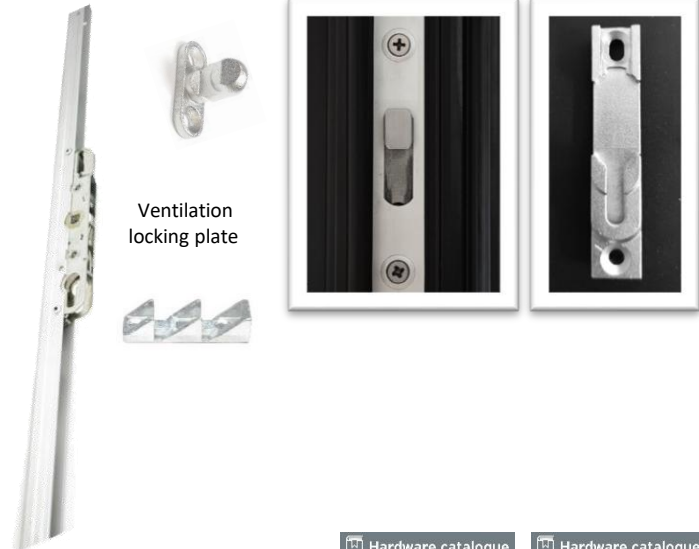
SURFACE COATING

- Zamac die-casting components, as locking components and runners, are subjected to bichromating surface-treatment and additional silver-colored coating
- Aluminium parts are silver anodized

CERTIFICATION

- Certified according to EN 13126-16:2008-04
- Durability: Grade 5 -> 25.000 cycles
- Corrosion resistance:
 - Hardware set: Grade 5 -> 480 hours salt-spray test
 - Individual zinc die-cast component with bichromating treatment: Grade 5 -> 1.000 hours salt-spray test [EN 1670]
- DIN EN ISO 9001:2008
- In accordance with the REACH regulation (1907/2006/EG) regarding SVHC substances
- Alumil 5 Year Guarantee

Standard Gear + Locking plate for OR Alumil Pin Gear + Locking plate for Alumil Pin Gear



Standard version rollers (<200kg)



Heavy duty version rollers (<300kg)



Additional heavy duty version rollers (<600kg)



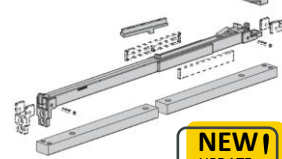
Tension spring



Handle dampener



Soft close



Lift unit



Anti Lift



CODES & DESCRIPTIONS

Part numbers, descriptions and application ranges are depicted in the corresponding hardware catalogue and installation drawings.

ALUMIL GEARBOX SOLUTIONS

NEW!
UPDATE

FUNCTION

Gear transmission solutions for curtain walls, open out windows and doors with multi point locking systems

TECHNICAL FEATURES

- Standard gearbox:
 - Comes in different backsets
 - Available in 90° operation for doors and 180° operation for t/t windows
 - 18mm single direction throw for t/t window gearbox
 - Fixed with allen screws on the eurogroove
- Curtain wall gearbox:
 - Fixed with no machining on the eurogroove
 - Bi-directional 18mm throw
 - Operated by 7mm pin handle (Alumil Slim)
- Adjustable gearbox:
 - Backset from 23mm to 34mm
 - Bi-directional 18mm throw requires connector pin purchased separately
 - Fixing with the handle requires additional part purchased separately
 - Operated by 7mm pin handle (Alumil Slim) for open out windows)

Gearbox for Spindle Handles



Curtain Wall Gearbox



MATERIALS

- Standard: Die cast zamak
- Curtain wall: Full austenitic stainless steel, Polymer bushings on all pivots
- Adjustable: Polyamide cover, die cast zamak interiors

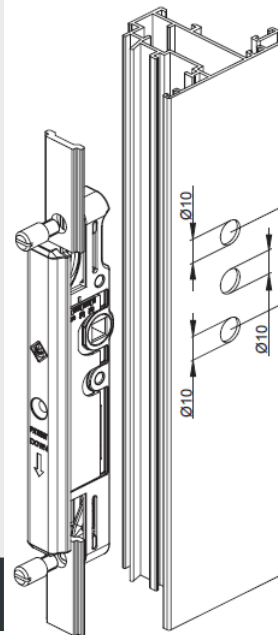
SURFACE COATING

- Standard and Curtain Wall in steel color
- Adjustable in black color

CERTIFICATION

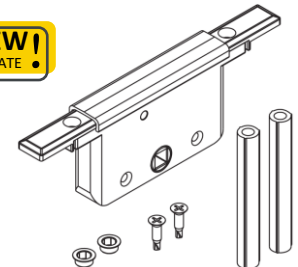
- Alumil 5 Year Guarantee
- Curtain wall
 - Corrosion resistance: Grade 5 -> 480 hours salt-spray test [EN 1670]
 - Durability: 30.000 cycles
 - 12 Year extended Guarantee

Adjustable Gearbox



Gearbox 35mm

NEW!
UPDATE



NEW!
UPDATE

Rod Connector



CODES & DESCRIPTIONS

EX-4159163000	GEAR FOR SPINDLE HANDLE 180o NO WOSD F:30mm	EX-6300150603	GEAR BOX MECHANISM FOR CURTAIN WALL WINDOWS RIGHT
EX-4159163500	GEAR FOR SPINDLE HANDLE 180o NO WOSD F:35mm	EX-6301150603	GEAR BOX MECHANISM FOR CURTAIN WALL WINDOWS LEFT
EX-4159164000	GEAR FOR SPINDLE HANDLE 180o NO WOSD F:40mm		
EX-4159164500	GEAR FOR SPINDLE HANDLE 180o NO WOSD F:45mm		
EX-4159482500	GEAR FOR SPINDLE HANDLE 90o F:25mm	EX-3806036260	ADJUSTABLE TWO-WAY GEARBOX FOR OPEN OUT 23-34mm
EX-4159483000	GEAR FOR SPINDLE HANDLE 90o F:30mm	EX-3806028000	ROD CONNECTOR FOR GEARBOX / CREMONE OPEN OUT L=25mm
EX-4159483500	GEAR FOR SPINDLE HANDLE 90o F:35mm		
EX-4159484000	GEAR FOR SPINDLE HANDLE 90o F:40mm	EX-4050410800	GEARBOX 35mm OUTWARD OPENING

NEW!
UPDATE

SHOOT BOLTS

FUNCTION

Second sash shoot bolts for windows and doors

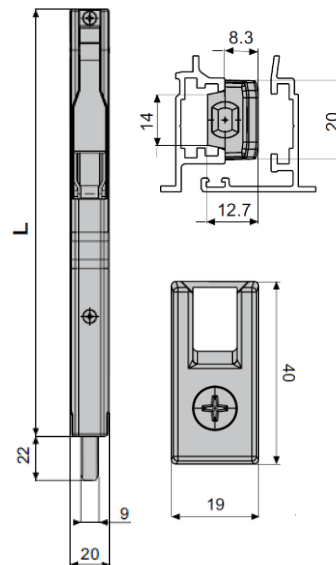
TECHNICAL FEATURES

- Available for flat door and euro groove profiles
- Available in finger and lever operated versions
- Available in standard and adjustable rod length
- Available in plastic and metal versions

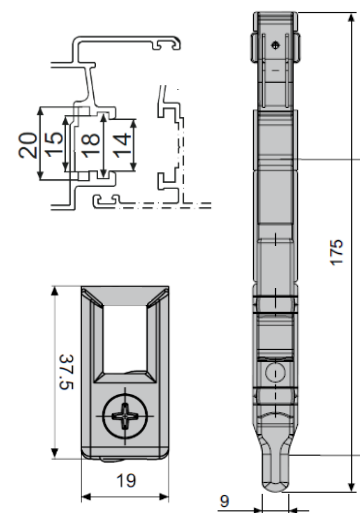
Second sash euro groove standard latch set



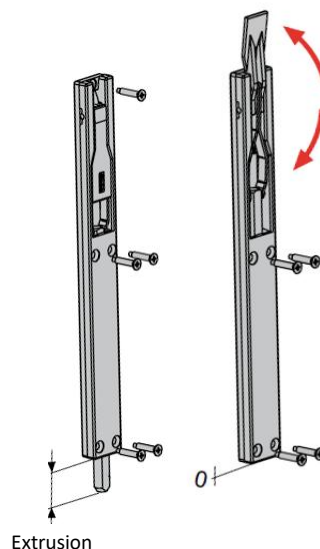
Latch euro groove 14/18



Latch euro groove 15/20



Latch door flat profile



Upper latch keeper



Lower latch flat keeper



Lower latch deep keeper



MATERIALS

- Zamak main body
- Inox locking point and lever
- Glass reinforced polyamide
- Inox screws *where included

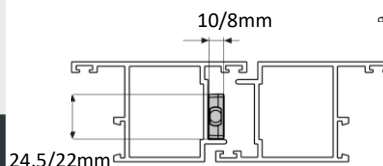
SURFACE COATING

- Silver powder coating RAL 9006 mat
- Silver anodization

CERTIFICATION

- Alumil 5 Year Guarantee

Extrusion



CODES & DESCRIPTIONS

EX-4740371533 LATCH DOOR FLAT PROFILE 220x24,5x10mm EXTR. 24,5mm SILVER ANOD.
EX-4743716033 LATCH DOOR FLAT PROFILE 450x24,5x10mm EXTR. 24,5mm SILVER ANOD.
EX-4740371709 LATCH DOOR FLAT PROFILE 650x24,5x10mm EXTR. 24,5mm SILVER ANOD.
EX-4743722109 LATCH DOOR FLAT PROFILE 140x22x8mm EXTR. 22x9mm SILVER
EX-4743722209 LATCH DOOR FLAT PROFILE 220x22x8mm EXTR. 24,5x9mm SILVER
EX-4743722309 LATCH DOOR FLAT PROFILE 220x22x8mm EXTR. 35x9mm SILVER

EX-4740372011 LATCH EURO GROOVE 14/18 L:220mm SILVER GALV.
EX-4740372109 LATCH EURO GROOVE 14/18 L:450mm SILVER GALV.
EX-4740412409 SINGLE KEEPER FOR LATCH EURO GROOVE ZAMAK SILVER GALV.

EX-4743828009 LATCH EURO GROOVE 15/20 175mm SILVER GALV.
EX-4744102000 SINGLE KEEPER FOR LATCH EURO GROOVE PLASTIC

EX-4740373800 LOWER LATCH DEEP KEEPER FOR DOORS
EX-4743734000 LOWER LATCH FLAT KEEPER FOR DOORS
EX-4743733000 UPPER LATCH KEEPER FOR DOORS

EX-4742200500 SECOND SASH STANDARD LATCH SET

OPENING LIMITERS

NEW!
UPDATE

FUNCTION

Hardware that limits the opening angle of hinged systems to avoid collision on nearby fixed objects. Also used as child safety device

TECHNICAL FEATURES

- Perfect fit at all opening Alumil systems
- Fits all standard Euro groove and PVC sash groove systems
- Available for bottom hung, top hung and side hung windows
 - Limiter with open out hold for bottom hung Euro or PVC groove
 - Limiter for side hung PVC groove
 - Limiter with adjustable brake for side hung or TnT. Installation always on the bottom side near the hinge
 - Limiter with telescopic 5 positions for top hung
 - Limiter with open hold and releasable arm function with handle use
- Adjustable opening angle depending on arm placement in five positions for top hung

MATERIALS

- Extruded aluminium or stainless steel rods
- Zamak fixing parts
- Polyamide sliders / brakes
- Stainless steel fixings
- ***Materials differ between codes

SURFACE COATING

- No additional surface coating

CERTIFICATION

- Limitation arm with brake certified according to EN 13126-8
 - Corrosion resistance: Grade 5 -> 480 hours salt-spray test [EN 1670]
 - Durability: Grade 4 -> 15.000 test cycles
- Alumil 5 Year Guarantee

Stay arm for bottom hung Euro groove Basic



Stay arm for bottom hung Euro groove groove 150mm & 220mm



NEW!
UPDATE



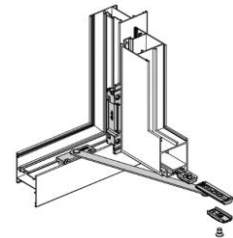
Stay arm for bottom hung PVC groove



Stay arm for side hung PVC groove



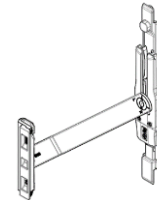
Limitation arm with brake Euro groove 220mm & 480mm



Laser telescopic 5 position EURO groove stay arm top hung



Window arm limiter (Handle block) *available in NYC approved edition



CODES & DESCRIPTIONS

EX-473100000	STAY ARM FOR BOTTOM HUNG EURO GROOVE BASIC 350<Sh<1000mm Wmax: 50kg
EX-4167650000	STAY ARM FOR BOTTOM HUNG PVC GROOVE
EX-4731322800	STAY ARM FOR BOTTOM HUNG EURO GROOVE 150mm Shmax: 600mm Wmax: 50kg
EX-4730322700	STAY ARM FOR BOTTOM HUNG EURO GROOVE 220mm Shmax: 1400mm Wmax: 100kg
EX-4741459000	LIMITATION ARM WITH BRAKE EURO GROOVE 220mm
EX-4741459800	LIMITATION ARM WITH BRAKE EURO GROOVE 480mm
EX-4730195500	LASER TELESCOPIC 5 POSITION EURO GROOVE STAY ARM TOP HUNG
EX-4211456000	WINDOW ARM LIMITER (HANDLE BLOCK) EURO GROOVE
EX-4211456100	WINDOW ARM LIMITER (HANDLE BLOCK) EURO GROOVE NYC
EX-4160070011	LIMITER FOR SIDE HUNG DRILLED (D), CLAMPED (C) PVC GROOVE
EX-4168860211	LIMITER FOR SIDE HUNG CONCEALED (CC) PVC GROOVE
EX-4154663100	KEEPER FOR SIDE HUNG PVC GROOVE

NEW!
UPDATE

EURO GROOVE STAY ARMS



FUNCTION

Friction stay arms for all top-hung Alumil systems with euro groove profiles.

TECHNICAL FEATURES

- Available versions for heavy and light duty:
- Heavy duty:
 - Asymmetrical upper part for enhanced return and closing of the sash
 - Specially shaped to be self-locating in the sash-side 15/20 euro groove for easy mounting
 - Secures to the sash with a pre-installed grub screw
 - The arm mounts to the frame (with 14/18 groove) with self-tapping screws (not included)
 - Polyamide filling shim as spacer for solid and durable mounting to the frame
 - For sashes with height up to 2000mm, width up to 1700mm and weight up to 100kg
 - 10" and 16" stay arms are also applicable to side hung outward opening window
- Light Duty:
 - For sash height up to 1000mm and weight up to 55kg
 - 21mm stack height of friction stay offers groove to groove direct concealed fixing without the use of additional packing
 - Friction stay arms made from austenitic stainless steel AISI 304 grade with friction slider made from polyamide



Preview



A/A	Top Hung configuration			
Arm length (inch/mm)	Maximum opening angle	Max height (mm)	Max width (mm)	Max weight (kg)
Heavy Duty				
10/259	50°	650	1500	50
16/414	30°	800	1500	100
	50°			55
22/567	20°	1500	1700	100
	45°			80
28/713	15°	2000	1700	100
Light Duty				
10/242	45°	600	-	40
12/292	45°	750	-	45
16/391	30°	1000	-	55

A/A	Side Hung configuration			
Arm length (inch/mm)	Maximum opening angle	Max height (mm)	Max width (mm)	Max weight (kg)
Heavy Duty				
10/259	50°/84°	1500	650	35
16/414	30°	1600	700	60
	50°/90°			42

MATERIALS

- Arm in stainless steel AISI 304
- Slider in polyamide and AISI 304 grade stainless steel

SURFACE COATING

- Stainless steel / No additional surface coating

CERTIFICATION

- Certified according to EN 13126-6: 2009 for heavy duty and EN 13126-6: 2018 for light duty
- Durability: Grade 5 -> 25.000 cycles for heavy duty, Grade 4 -> 20.000 cycles for light duty
- Corrosion resistance: Grade 5 -> 480 hours [EN 1670]
- Alumil 5 Year Guarantee

CODES & DESCRIPTIONS

- EX-4008349000 PAIR OF TOP HUNG ARMS 10" EURO GROOVE 50KG 50 DEGREE OPEN
- EX-4008350000 PAIR OF TOP HUNG ARMS 16" EURO GROOVE 55/100KG 50/30 DEGREE OPEN
- EX-4008351000 PAIR OF TOP HUNG ARMS 22" EURO GROOVE 80/100KG 45/20 DEGREE OPEN
- EX-4008352000 PAIR OF TOP HUNG ARMS 28" EURO GROOVE 100KG 15 DEGREE OPEN
- EX-4000197100 SHIM FOR 14/18 FRAMES FOR PROJECTING-OUT WINDOW STAY ARMS
- EX-4008361000 PAIR OF TOP HUNG ARMS 10" EURO GROOVE 40KG 45 DEGREE OPEN
- EX-4008361200 PAIR OF TOP HUNG ARMS 12" EURO GROOVE 45KG 45 DEGREE OPEN
- EX-4008361600 PAIR OF TOP HUNG ARMS 16" EURO GROOVE 55KG 30 DEGREE OPEN

SIMPLE LOCKING SOLUTION FOR OPENING SYSTEMS

FUNCTION

Simple locking solutions for opening systems with easy fabrication at great value

TECHNICAL FEATURES

- To be used for inward opening windows and tilt windows
- Three alternative locking solutions
 - Finger catch:**
 - may be installed post-production on site
 - automatically closes with pushing
 - adjustable closing force
 - fits all standard Euro groove and PVC groove systems
 - Cremone kit:**
 - to be used with the Alumil cremone
 - 2 standard locking points top and bottom
 - fits all standard euro groove systems
 - Handle lock:**
 - easy operation and low maintenance
 - fits all standard Euro groove and PVC groove systems
- All solutions are complete kits

MATERIALS

- Zamak / Aluminium / Polyamide main body
- Polyamide bushings
- Galvanized screws and fixing plates
- Stainless steel fixings and spring for euro groove finger catch

SURFACE COATING

- White powder coating RAL 9016
- Black powder coating RAL 9005
- Silver powder coating
- Silver anodized
- Black polyamide parts

CERTIFICATION

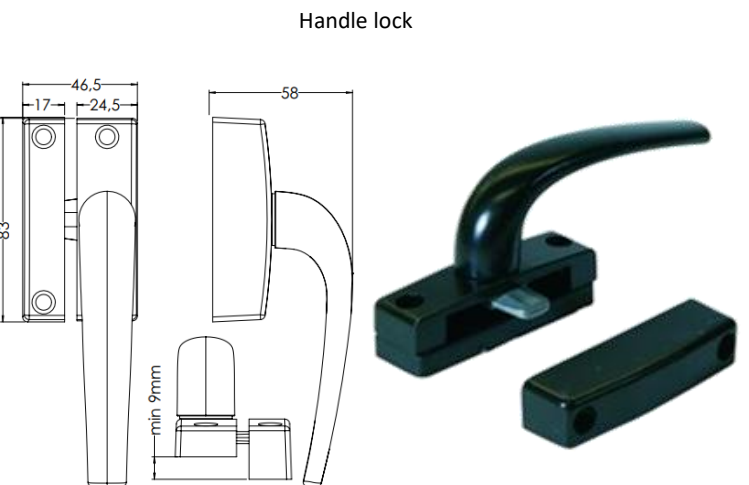
- Alumil 5 Year Guarantee



Finger catch



Cremone kit



Handle lock

CODES & DESCRIPTIONS

EX-4700139002	ADJUSTABLE FINGER CATCH FOR PVC GROOVE WHITE
EX-4700139003	ADJUSTABLE FINGER CATCH FOR PVC GROOVE BLACK
EX-4700321702	ADJUSTABLE FINGER CATCH FOR EURO GROOVE WHITE
EX-4700321703	ADJUSTABLE FINGER CATCH FOR EURO GROOVE BLACK
EX-4700321711	ADJUSTABLE FINGER CATCH FOR EURO GROOVE SILVER ANODISED
EX-4800009400	SIDE HUNG KIT FOR CREMONE ALUMIL
EX-3805050002	CLOSING HANDLE FOR SMALL WINDOWS WHITE
EX-3805050003	CLOSING HANDLE FOR SMALL WINDOWS BLACK

ALUMIL SIMPLE LOCKING SOLUTION FOR SLIDING SYSTEMS



FUNCTION

Simple solution for sliding systems with single point locking and flush handle with Alumil logo

TECHNICAL FEATURES

- One-point locking with hook
- Automatic function available with the use of a spring for ease of use (not in keyed version)
- Keyed version available (2 keys included)
- Clipped for easy installation without the use of screws
- Full metal flush handle for enhanced security
- Applicable to all non-thermally broken sliding systems and shutters

MATERIALS

- Main body of extruded aluminum (alloy 6060 T5)
- Sliding lock mechanism of die casted Zamak (alloy EN 1774)
- Flush handle insert of galvanized Zamak
- Plastic parts of Nylon 6/6
- Inox hook and striking plate (AISI 430)
- Inox self tapping screws

SURFACE COATING

- White powder coating RAL 9016
- Black powder coating RAL 9005 matte
- Silver powder coating (anodic ice)

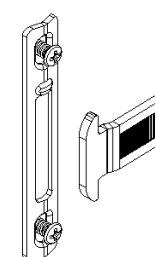
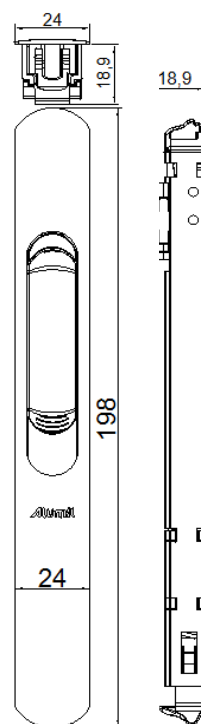
CERTIFICATION

- Certified according to EN 13126-3 : 2011
- Durability: Grade 4 -> 15.000 cycles
- Corrosion resistance: Grade 4 -> 240 hours [EN 1670]
- Alumil 5 Year Guarantee

Sliding lock

Sliding lock with key

Locking kit



CODES & DESCRIPTIONS

EX-6306452002 LOCK FOR SLIDING DOORS MALTA WHITE
 EX-6306452003 LOCK FOR SLIDING DOORS MALTA BLACK
 EX-6306452011 LOCK FOR SLIDING DOORS MALTA SILVER

EX-6306452102 LOCK FOR SLIDING DOORS WITH KEY MALTA WHITE
 EX-6306452103 LOCK FOR SLIDING DOORS WITH KEY MALTA BLACK
 EX-6306452111 LOCK FOR SLIDING DOORS WITH KEY MALTA SILVER

EX-6306452328 LOCKING KIT FOR SLIDING LOCK MALTA Sw:28mm
 EX-6306452332 LOCKING KIT FOR SLIDING LOCK MALTA Sw:32mm
 EX-6306452335 LOCKING KIT FOR SLIDING LOCK MALTA Sw:35-38mm

EX-6306452202 FLUSH HANDLE CLIPPED FOR SLIDING DOORS MALTA WHITE
 EX-6306452203 FLUSH HANDLE CLIPPED FOR SLIDING DOORS MALTA BLACK
 EX-6306452211 FLUSH HANDLE CLIPPED FOR SLIDING DOORS MALTA SILVER

MULTI POINT LOCK FOR SLIDING SYSTEMS

NEW!
UPDATE

FUNCTION

Lock for Alumil sliding systems with multiple locking points and cylinder lock option for enhanced security

TECHNICAL FEATURES

- Perfect fit for all sliding Alumil systems
- From 1 to 4 locking points
- Two available gear backsets 7.5 and 15mm
- Selection of the handle's rotation degrees: 90° or 180°
- Large oval locking points with optional "antlift" accessory for enhanced security
- Combi version available with round pins
- Available version 90° with profile cylinder hole for enhanced security
- Available version 90o with profile cylinder hole in 1500mm for child safety
- Designed to work with the Alumil 7mm handle
- Integrated rubber bumper to ensure a smooth closing
- In locks 90°/180°
 - Potential of inserting an extra locking point via an 500mm extension
 - Anti-return function which prevents the unlocking of the gear through its locking pins
 - Available WOSD versions (wrong operation safety device)

NEW!
UPDATE

MATERIALS

- Steel main body and locking points
- Zamak parts

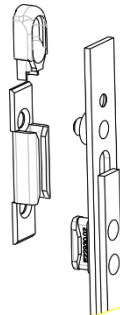
SURFACE COATING

- Zamak die-casting components are subjected to bichromating surface treatment and an additional silver-colored coating

CERTIFICATION

- Certified according to EN 13126-1/19
- Durability: Grade 5 -> 25.000 cycles
- Corrosion resistance:
 - Hardware set: Grade 3 -> 96 hours [EN 1670]
 - Individual zinc die-cast component with bichromating treatment: Grade 5 -> 1.000 hours salt-spray test [EN 1670, EN 9227 based on EN 13126-1:2011]
- Alumil 5 Year Guarantee

Striker with antilift



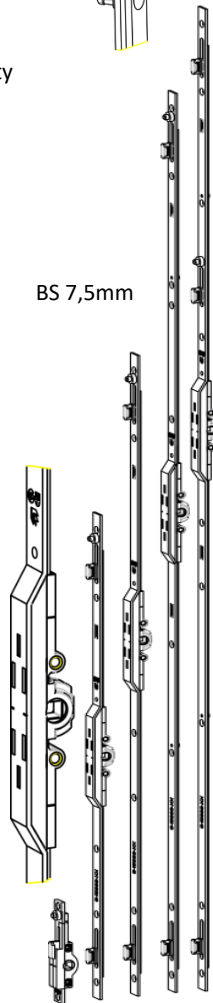
Standard locking



Combi Version locking



BS 7,5mm

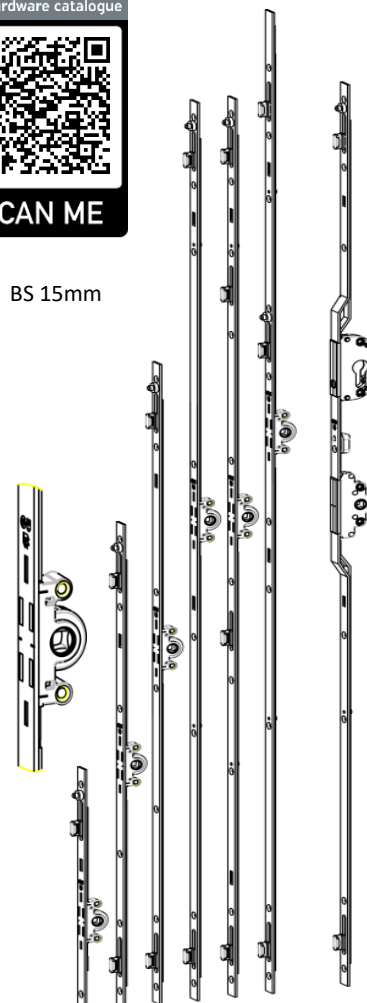


BS 15mm



Hardware catalogue

SCAN ME



CODES & DESCRIPTIONS

EX-6307160311	SLIDING LOCK 90°/180° 300mm BS15 1 LOCKING POINT	EX-4161000000	SLIDING LOCK 1 POINT COMBI 120 mm BS15
EX-6307161311	SLIDING LOCK 90°/180° 300mm BS15 2 LOCKING POINTS	EX-4166400600	SLIDING LOCK 2 POINTS COMBI 600 mm BS15
EX-6307160611	SLIDING LOCK 90°/180° 600mm BS15 2 LOCKING POINTS	EX-4166401000	SLIDING LOCK 3 POINTS COMBI 1000 mm BS15
EX-6307161011	SLIDING LOCK 90°/180° 1000mm BS15 2 LOCKING POINTS	EX-4166401600	SLIDING LOCK 3 POINTS COMBI 1600 mm BS15
EX-6307162011	SLIDING LOCK 90°/180° 1000mm BS15 3 LOCKING POINTS		
EX-6307161611	SLIDING LOCK 90°/180° 1600mm BS15 2 LOCKING POINTS	EX-6308800011	SLIDING LOCK STRIKER SILVER STRAIGHT BACK
EX-6307162611	SLIDING LOCK 90°/180° 1600mm BS15 4 LOCKING POINTS	EX-6304064301	SLIDING LOCK STRIKER SILVER CONE BACK
EX-6307161811	SLIDING LOCK 90°/180° 1800mm BS15 3 LOCKING POINTS	EX-6301819601	SLIDING LOCK EXTRA ANTLIFT STRIKER
EX-6302458711	EXTENSION 500mm FOR SLIDING LOCK BS15		
EX-6301538600	SLIDING LOCK 90° 1600mm BS15 2 LOCK. POINTS WITH CYLINDER HOLE	EX-4405050901	SLIDING LOCK 1 POINT 120 mm BS7,5
EX-6307170611	SLIDING LOCK 180° 600mm BS15 2 LOCK. POINTS WITH WOSD	EX-6303830611	SLIDING LOCK 2 POINTS 600 mm BS7,5
EX-6307171611	SLIDING LOCK 180° 1600mm BS15 2 LOCK. POINTS WITH WOSD	EX-6308310011	SLIDING LOCK 2 POINTS 1000 mm BS7,5
		EX-4163831800	SLIDING LOCK 3 POINTS 1800 mm BS7,5

NEW!
UPDATE

MULTI POINT LOCK INOX WITH HOOKS FOR SLIDING SYSTEMS

FUNCTION

Sliding lock with stainless steel faceplate and hooks for Alumil sliding systems with multiple locking points and cylinder lock option

TECHNICAL FEATURES

- Single-point, two-point or three-point lock configurations
- Hook bolt design draws the door closed against the seals
- Hook bolts ensure the highest security by not allowing sash to be lifted out of the guide rails
- Integrated mishandling device (WOSD) prevents crushing bolts on strikers
- Anti-pick security feature
- A version with cylinder hole is available for enhanced security
- Works with Alumil 7mm handles

MATERIALS

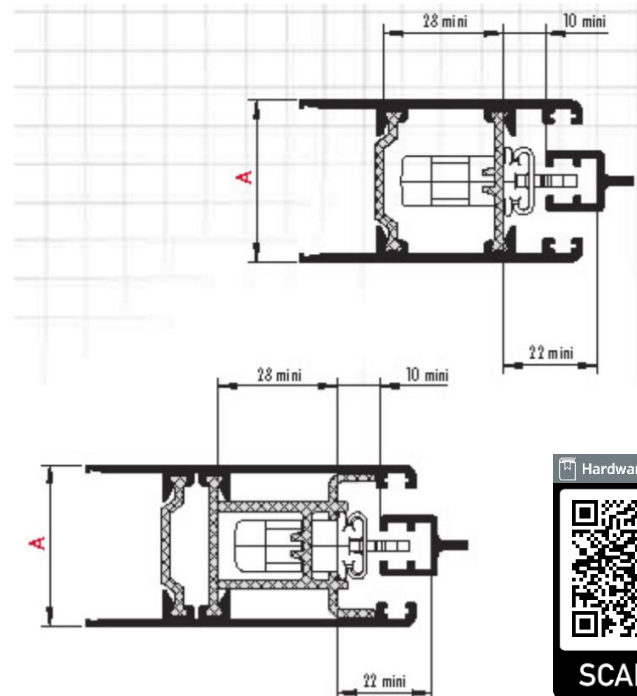
- Stainless steel faceplate
- Stainless steel hooks
- Die cast Zinc alloy mechanism with stainless springs

SURFACE COATING

- Brushed stainless steel

CERTIFICATION

- Tested according to EN 12400
- Durability: Grade 3 -> 20.000 cycles
- Corrosion resistance: Grade 4 -> 240 hours [EN 1670]
- Pull resistance 200daN/hook
- Alumil 5 Year Guarantee



CODES & DESCRIPTIONS

EX-6300990100	SLIDING LOCK 1 POINT 150 mm BS15 WITH HOOKS INOX
EX-6300990200	SLIDING LOCK 2 POINTS 600 mm BS15 WITH HOOKS INOX
EX-6300990300	SLIDING LOCK 3 POINTS 1000 mm BS15 WITH HOOKS INOX
EX-6300990400	SLIDING LOCK 3 POINTS 1000 mm BS15 WITH HOOKS INOX WITH CYLINDER HOLE
EX-6300111300	STRIKER OF SLIDING LOCK WITH HOOKS INOX

PILE SEALS

FUNCTION

Brush pile seals for air, water and dust sealing for all sliding systems

TECHNICAL FEATURES

- Silent fin technology for smooth operation and easy sliding
- Excellent water and air sealing
- Fully boxed and easy to use roll packaging
- Available in regular brush, brush with membrane and triple fin brush editions to meet any given requirement
- High quality production with standardized sizes for easy insertion to profile
- Back width 6.9mm and 0.75mm thickness
- 4p brush width 2.9mm (2.60-3.20mm)
- Membrane at the same length with brush
- Base tolerance +0.1, -0.2mm

MATERIALS

- 100% polypropylene pile seals

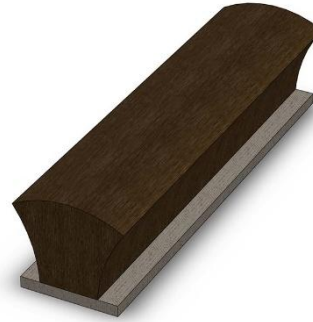
SURFACE COATING

- White, grey and black color is part of raw material
- No additional surface coating is applied

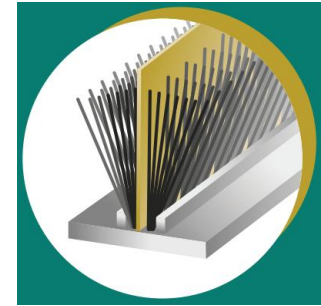
CERTIFICATION

- Tri-fin Class A4 air-tightness: UNE-EN 12207:2000
- EU Standards and AAMA 701/702-04 Class A
- Water-proof and UV resistant
- ISO 9001 quality standards
- Alumil extended 10 Year Guarantee (standard 5 years)

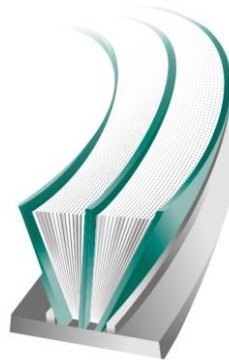
No fin brush pile seal



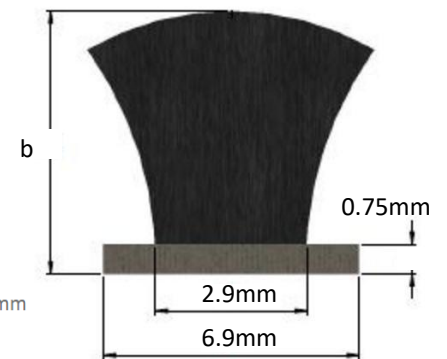
2-fin brush pile seal



3-fin brush pile seal



Dimensions



b PILE HEIGHT

+ 0,25 mm - 0,15 mm

If the height of the pile is superior to 6,50 mm

+ 4% -2,5%

CODES & DESCRIPTIONS (Type - Pile seal - b - Color)

EX-6206930603	FIBER TRI-FIN BRUSH PILE SEAL 6mm BLACK
EX-6206930604	FIBER TRI-FIN BRUSH PILE SEAL 6mm GREY
EX-6206930703	FIBER TRI-FIN BRUSH PILE SEAL 7mm BLACK
EX-6206930704	FIBER TRI-FIN BRUSH PILE SEAL 7mm GREY
EX-6206930803	FIBER TRI-FIN BRUSH PILE SEAL 8mm BLACK
EX-6206930804	FIBER TRI-FIN BRUSH PILE SEAL 8mm GREY
EX-6206930903	FIBER TRI-FIN BRUSH PILE SEAL 9mm BLACK
EX-6206930904	FIBER TRI-FIN BRUSH PILE SEAL 9mm GREY
EX-6206931003	FIBER TRI-FIN BRUSH PILE SEAL 10mm BLACK
EX-6206931004	FIBER TRI-FIN BRUSH PILE SEAL 10mm GREY

EX-6206920603	FIBER 2-FIN BRUSH PILE SEAL 6mm BLACK
EX-6206920703	FIBER 2-FIN BRUSH PILE SEAL 7mm BLACK
EX-6206920803	FIBER 2-FIN BRUSH PILE SEAL 8mm BLACK

EX-6206910404	BRUSH PILE SEAL 4mm GREY
EX-6206910503	BRUSH PILE SEAL 5mm BLACK
EX-6206910504	BRUSH PILE SEAL 5mm GREY
EX-6206910602	BRUSH PILE SEAL 6mm WHITE
EX-6206910603	BRUSH PILE SEAL 6mm BLACK
EX-6206910604	BRUSH PILE SEAL 6mm GREY
EX-6206910702	BRUSH PILE SEAL 7mm WHITE
EX-6206910703	BRUSH PILE SEAL 7mm BLACK
EX-6206910704	BRUSH PILE SEAL 7mm GREY
EX-6206910802	BRUSH PILE SEAL 8mm WHITE
EX-6206910803	BRUSH PILE SEAL 8mm BLACK
EX-6206910804	BRUSH PILE SEAL 8mm GREY
EX-6206910002	BRUSH PILE SEAL 10mm WHITE
EX-6206910003	BRUSH PILE SEAL 10mm BLACK
EX-6206910004	BRUSH PILE SEAL 10mm GREY
EX-6206911203	BRUSH PILE SEAL 12mm BLACK
EX-6206911204	BRUSH PILE SEAL 12mm GREY
EX-6206911403	BRUSH PILE SEAL 14mm BLACK
EX-6206911404	BRUSH PILE SEAL 14mm GREY
EX-6206911802	BRUSH PILE SEAL 18mm WHITE
EX-6206911803	BRUSH PILE SEAL 18mm BLACK
EX-6206911804	BRUSH PILE SEAL 18mm GREY
EX-6206912504	BRUSH PILE SEAL 25mm GREY
EX-6206912503	BRUSH PILE SEAL 25mm BLACK

ALUMIL SHOCK ABSORBERS

FUNCTION

Shock absorbers for window and shutter sashes

TECHNICAL FEATURES

- Available for Alumil series S350 & M14600
- Easy to install
- Adjustable length of the bumper

MATERIALS

- Glass reinforced polyamide
- Rubber
- Inox screws

SURFACE COATING

- Standard black color

CERTIFICATION

- Alumil 5 Year Guarantee

SMARTIA M14600			
Sash M14611	Code EX-6501461110	Sash M14604	Code EX-6501460410

SMARTIA S350

Sash S384	Shutter Sash S364	Shutter Sash S325
<p>Lock multi point / single point</p>		<p>M12353</p>
EX-6500325103 / EX-6500135103	EX-6500235103	EX-6500325103

CODES & DESCRIPTIONS

- EX-6500135103 SHOCK ABSORBER FOR S384 FOR SINGLE POINT LOCK
- EX-6500325103 SHOCK ABSORBER FOR S384 FOR MULTI POINT LOCKS AND FOR SHUTTER SASH S325 FOR SINGLE POINT LOCK
- EX-6500235103 SHOCK ABSORBER FOR S364 FOR SINGLE POINT LOCK
- EX-6501460410 SHOCK ABSORBER FOR M14604 SASH
- EX-6501461110 SHOCK ABSORBER FOR M14611 SASH

ALUMIL ROLLERS



FUNCTION

Aluminium and plastic rollers for all Alumil sliding systems

TECHNICAL FEATURES

- Perfect fit for Alumil sliding systems
- Single, double and quad wheel rollers
- Quick and easy installation with screw or fixing plate
- Designed to achieve maximum adjustment
- One-man adjustment with sash on frame
- Special composite wheel cover for smooth and silent operation
- In cases brush installed for guide rail cleaning
- Side to side self adjusting wheel
- Custom solutions can be offered, according to your needs, for higher sash weights
- All systems require 2 rollers per sash except S650 PHOS which requires 2 rollers for a sash weight under 250kg and 4 rollers from 250-1000kg

MATERIALS

- Extruded aluminium or polyamide main body
- Galvanized pins and screws
- Special polymer wheels

SURFACE COATING

- Not treated (standard aluminum or black polyamide)

CERTIFICATION

- Durability per set of rollers (per sash):
 - Grade 4 -> 15.000 test cycles [EN 13126.15]
 - EX-6000063000 at 250kg
 - Grade 5 -> 25.000 test cycles [EN 13126.15]
 - EX-6000220600 at 40kg
 - EX-6000120100 at 45kg
 - EX-6000230400 / EX-6000210100 / EX-6001460100 / INT-6000044100 at 90kg
 - EX-6000220502 at 130kg
 - EX-6000235000 / EX-6000235200 / EX-6001460000 / INT-6000044000 / EX-6000450000 at 180kg
 - EX-6000056000 / EX-6001200000 at 180kg
 - EX-6000412500 / EX-6000456000 / EX-6001460400 at 300kg
 - INT-6002565100 at 1000kg (4 rollers/sash)
 - INT-6002965000 at 500kg
- Alumil 5 Year Guarantee

Single roller



Double roller



Plastic case roller



CODES & DESCRIPTIONS

EX-6000210100	ROLLER PLASTIC DOUBLE M9000, M9200, M900, M9050	EX-6000120100	ROLLER ALUMINIUM SINGLE WITH PLATE M9000 & M9200 & FLYSCR.
EX-6000235000	ROLLER PLASTIC DOUBLE S350	EX-6000230400	ROLLER ALUMINIUM DOUBLE WITH PLATE M9000 & M9200 22mm
EX-6000235200	ROLLER PLASTIC DOUBLE S350 LT	EX-6000220502	ROLLER ALUMINIUM DOUBLE WITH PLATE M9200 27mm
INT-6000044100	ROLLER PLASTIC SINGLE S440		
INT-6000044000	ROLLER PLASTIC DOUBLE S440	EX-6001460100	ROLLER ALUMINIUM SINGLE M14600
		EX-6001460000	ROLLER ALUMINIUM DOUBLE M14600
EX-6000110100	ROLLER PLASTIC SINGLE M900	EX-6001460400	ROLLER ALUMINIUM QUAD M14600
EX-6000220600	ROLLER PLASTIC SINGLE M9028		
EX-6002900800	ROLLER PLASTIC SINGLE M9008	EX-6000056000	ROLLER ALUMINIUM DOUBLE S560 SLIDING
		EX-6000456000	ROLLER ALUMINIUM QUAD S560 SLIDING
EX-6000063000	ROLLER PLASTIC TRIPLE M630 & M12500 CONCEALED	EX-6001200000	ROLLER ALUMINIUM DOUBLE M12500 & M45000
INT-6002565100	ROLLER ALUMINIUM DOUBLE S650	EX-6000412500	ROLLER ALUMINIUM QUAD M12500 & M45000
INT-6002965000	PAIR OF ROLLERS FLAT TRACK S650 ECLIPSE		
INT-6002965200	PAIR OF S650 ECLIPSE ROLLERS EXTENSION 500-1000KG	EX-6000185000	ROLLER ALUMINIUM SINGLE M868
		EX-6000207000	ROLLER ALUMINIUM DOUBLE WITH PLATE M9242
EX-6000450000	ROLLER PLASTIC DOUBLE M450	INT-6000273700	ROLLER ALUMINIUM DOUBLE S70737



ALUMIL INOX GUIDE RAILS

FUNCTION

Alumil guide rails for efficient and smooth sliding of sashes

TECHNICAL FEATURES

- Specially designed to remain clean from dust, dirt, etc.
- Stainless steel and anodized aluminium ensure no rusting in a wide range of environmental conditions
- Heavy duty guide rails prevent dents under extreme load
- U-type guide rails can be produced in custom length upon project request
- **U-type 0,8mm** guide rail is used in:
 - simple sliding systems with plastic roller wheels and
 - lift & slide systems: Smartia M450 and S560
- **U-type 1,0mm** guide rail with PVC filling is used in Smartia M630
- **Heavy duty** guide rail is used in:
 - lift & slide system: Smartia S560 and Supreme S700
 - sliding systems with metal roller wheels: Smartia MF65, M630, Supreme SF85, S650, S650 Eclipse

Application of guide rail



MATERIALS

- Stainless steel AISI 304 as standard
- Stainless steel AISI 316 L for 1mm U-type guide rail
- Anodized extruded aluminum for S440 guide rail
- PVC filling in U-type 1,0mm guide rail

SURFACE COATING

- No coating can be applied on stainless guide rails
- Anodization on aluminum rails

CERTIFICATION

- Tested along with rollers for 25.000 cycles:
 - U-type 0,8mm: 360kg/sash for simple sliding systems
 - U-type 1,0mm: 150kg/sash for M630
 - Heavy duty U-type: 1000kg/sash for S650
 - Heavy duty V-type: 1000kg/sash for S650 Eclipse
- Raw material certifications upon request
- Alumil 5 Year Guarantee



EX-6600045000
(AISI 304)



EX-6600061400
(AISI 316L)



EX-6600061300
(AISI 316L)



INT-6600165000
(AISI 316L)



EX-6604401200
(Extruded Anodized Aluminum)



EX-6600905000
(AISI 304)

CODES & DESCRIPTIONS

EX-6600045000	INOX GUIDE RAIL U-TYPE 0,8mm S350, S560, M12500, M14600 3,5m
EX-6600045001	INOX GUIDE RAIL U-TYPE 0,8mm S350, S560, M12500, M14600 6,0m
EX-6600061400	INOX GUIDE RAIL U-TYPE 1,0mm WITH FILLING M630 6,0m
EX-6600061300	INOX GUIDE RAIL HEAVY DUTY U-TYPE S700, S650, SF85, M630, M12500 CONCEALED 6,0m
INT-6600165000	INOX GUIDE RAIL HEAVY DUTY V-TYPE S650 ECLIPSE 6,0m
EX-6600905000	INOX GUIDE RAIL M9050, M9200 3,5m
EX-6604401200	ALUMINUM GUIDE RAIL S440 6,0m

STOPPERS FOR SLIDING SYSTEMS

FUNCTION

An excellent solution to prevent the handle of sliding sash hitting and damaging the surface of the second sash

TECHNICAL FEATURES

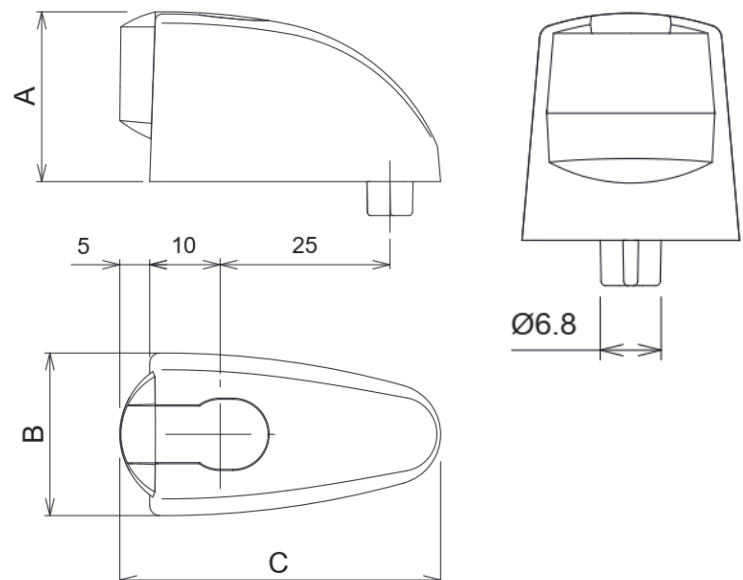
- Should be placed before the end of the second sash
- The polyurethane part allows better absorption
- Elegant design, great quality, modern aesthetics
- Door stopper fixing screws are not visible



Preview



Drawings



MATERIALS

- Zamak main body
- Polyurethane bumper

SURFACE COATING

- White powder coating RAL 9016
- Black powder coating RAL 9005
- Silver powder coating RAL 9006

CERTIFICATION

- Corrosion resistance: Grade 4 -> 240 hours salt-spray test [EN 1670]
- Alumil 5 Year Guarantee

CODES & DESCRIPTIONS

EX-6606252102	EXTERNAL SLIDING SASH STOPPER WHITE RAL 9016
EX-6606252103	EXTERNAL SLIDING SASH STOPPER BLACK RAL 9005
EX-6606252109	EXTERNAL SLIDING SASH STOPPER SILVER RAL 9006

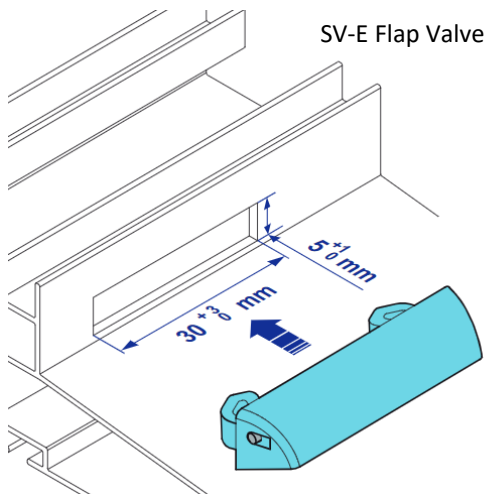
WATER EVACUATION CAPS

FUNCTION

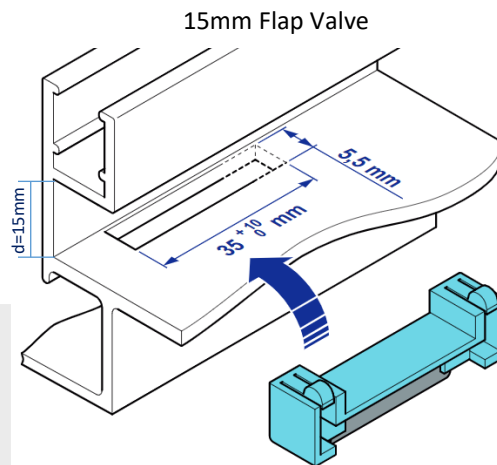
Caps for water evacuation for sliding and opening systems

TECHNICAL FEATURES

- Ball valves allow water to go out and prevent air from coming in
- Flap valve allows water to go out and prevent air from coming in
- Extensions available for ball valves

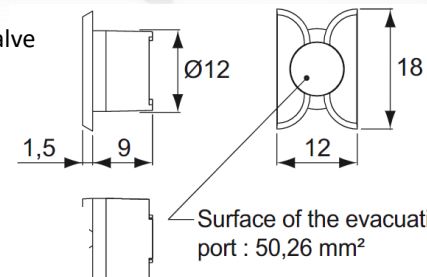


SV-E Flap Valve



15mm Flap Valve

R12 Ball Valve



External flat valve Alumil



MATERIALS

- 100% polyamide

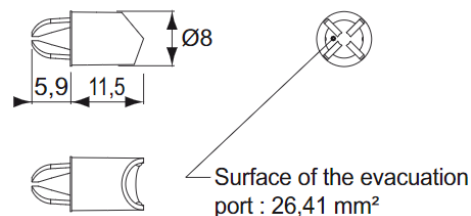
SURFACE COATING

- Black polyamide
- Other colors available upon request with MOQ

CERTIFICATION

- All Alumil systems are accordingly certified with water evacuation caps
- Alumil 5 Year Guarantee

R8 Ball Valve with extension



CODES & DESCRIPTIONS

EX-6604408803	EXTERNAL FLAP VALVE SV-E TYPE	
EX-6604408903	EXTERNAL FLAP VALVE ALUMIL	NEW! UPDATE
INT-6604400800	FLAP VALVE 15mm	
EX-6601811503	DRAINAGE BALL VALVES R8X11,5 WITHOUT BALL BLACK	
EX-6601201903	DRAINAGE BALL VALVES R12X9 WITHOUT BALL BLACK	
EX-6600811503	DRAINAGE BALL VALVES R8X11,5 BLACK	
EX-6601200903	DRAINAGE BALL VALVES R12X9 BLACK	
EX-6600812503	DRAINAGE VALVE R8 EXTENSION WHITE	
EX-6600120903	DRAINAGE VALVE R12 EXTENSION WHITE	

ALUMIL STANDARD CURTAIN WALL STAY ARMS

FUNCTION

Curtain wall window stay arms for all Alumil systems with flat profiles with Alumil logo

TECHNICAL FEATURES

- Self balancing with four levers (65, 85kg versions) or six levers (100, 110, 120, 130kg versions) for smooth opening and closing
- Friction block with adjusting screw
- Anti rubbing composite slider to prevent vent drop
- From 0.6m to 2m height and up to 130kg vent
- Cam adjustment device should always be used
- Special endpoint for big gust loads
- Nylon snap-in shim to be used between the sash and the arms' fastening holes for easier and robust installation
- Nylon sash support and alignment wedge to properly load the stay arms when the window is closed
- Made in Europe

Installation Manual

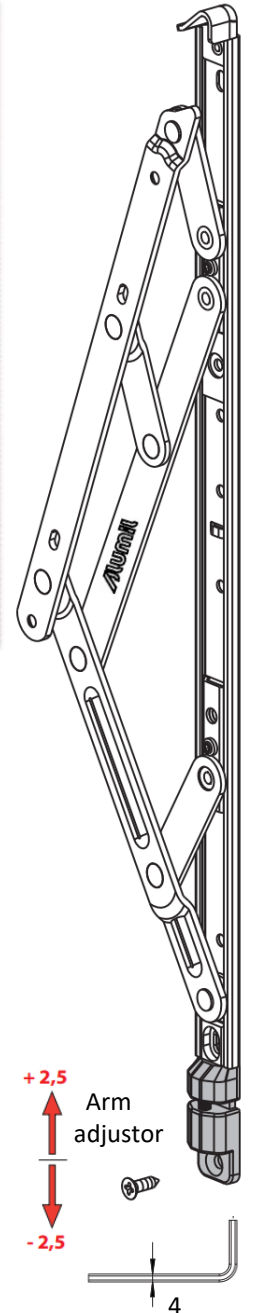


SCAN ME

Hardware catalogue



SCAN ME



MATERIALS

- Full austenitic stainless steel AISI 304
- Nylon shim
- Nylon alignment wedge

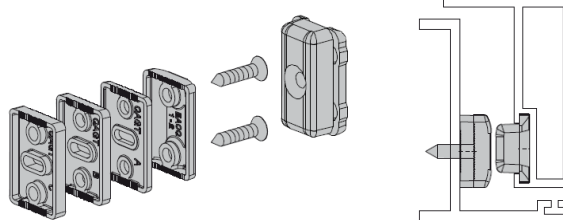
SURFACE COATING

- Stainless steel / No additional surface coating

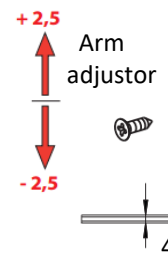
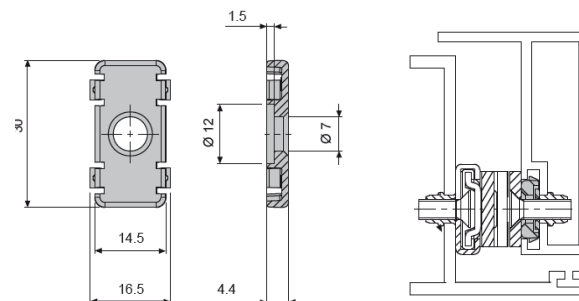
CERTIFICATION

- 8000 cycle test
- AAMA 904-01
- AAMA 907-05
- 110nm / 220nm force test
- 300h salt-spray
- Alumil 5 Year Guarantee

Support-alignment wedge



Installation shim



CODES & DESCRIPTIONS

EX-7203250100	PAIR PROJECTION ARMS FOR CURTAIN WALL 65kg 625mm<Sh<800mm 30/35 DEGREE OPEN
EX-7203250200	PAIR PROJECTION ARMS FOR CURTAIN WALL 85kg 800mm<Sh<1200mm 25/30 DEGREE OPEN
EX-7203250300	PAIR PROJECTION ARMS FOR CURTAIN WALL 100kg 1200mm<Sh<1400mm 25/30 DEGREE OPEN
EX-7201325000	PAIR PROJECTION ARMS FOR CURTAIN WALL 110kg 1400mm<Sh<1600mm 20/25 DEGREE OPEN
EX-7203250600	PAIR PROJECTION ARMS FOR CURTAIN WALL 120kg 1600mm<Sh<1800mm 15/20 DEGREE OPEN
EX-7200325000	PAIR PROJECTION ARMS FOR CURTAIN WALL 130kg 1800mm<Sh<2000mm 15/20 DEGREE OPEN
EX-3800325600	SHIM FOR 15/20 SASHES FOR PROJECTING-OUT WINDOW STAY ARMS
EX-4161613000	ALIGNMENT WEDGE AND WEIGHT SUPPORT FOR SASH
EX-7200325500	PROJECTION ARM ADJUSTOR

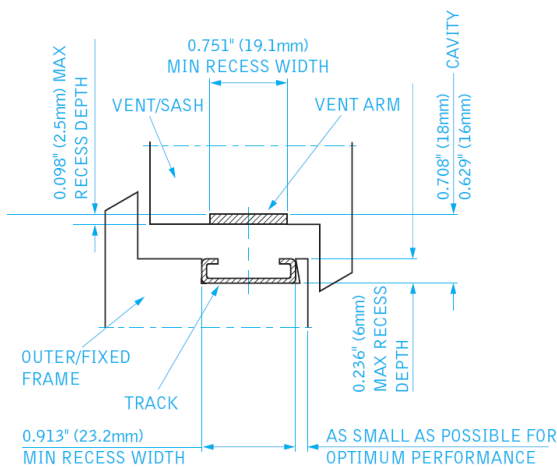
ALUMIL HEAVY DUTY CURTAIN WALL STAY ARMS

FUNCTION

Heavy duty curtain wall window stay arms for all Alumil systems with flat profiles with Alumil logo

TECHNICAL FEATURES

- Self balancing for smooth opening and closing
- Tested and certified with the highest standards
- Anti rubbing composite slider to prevent vent drop
- From 0.64m to 2.5m height and up to 180kg vent
- Cam adjustment device should always be used
- One man on site adjustment even on heavy vents
- Special endpoint for big gust loads
- Made in Europe



Preview



MATERIALS

- Full austenitic stainless steel AISI 304

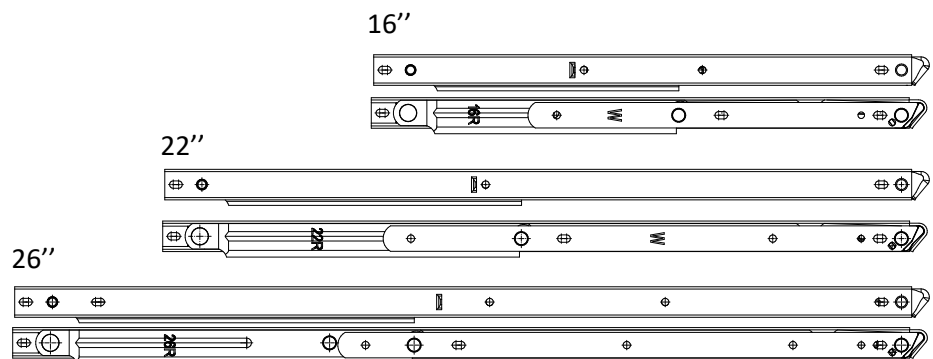
SURFACE COATING

- Stainless steel / No additional surface coating

CERTIFICATION

- Corrosion resistance: Grade 5 -> 480 hours [EN 1670]
- UK BS 6375
- AAMA 901.1
- Singapore Standard 212
- EN 10088-2 Grade 1.4301
- ATI (USA) test > 6470pa.
- Tested for 30.000 cycles
- Up to 12 Year Guarantee

Arm Adjustor



CODES & DESCRIPTIONS

EX-3505016800	PAIR PROJECTION ARMS 16" FOR CURTAIN WALL 100kg 640mm<Sh<1100mm 30 DEGREE OPEN
EX-3505122800	PAIR PROJECTION ARMS 22" FOR CURTAIN WALL 100kg 1100mm<Sh<1500mm 45 DEGREE OPEN
EX-3505122801	PAIR PROJECTION ARMS 22" FOR CURTAIN WALL 100kg 1500mm<Sh<2000mm 20 DEGREE OPEN
EX-3505126800	PAIR PROJECTION ARMS 26" FOR CURTAIN WALL 180kg 2000mm<Sh<2500mm 20 DEGREE OPEN
EX-3505072800	SECURY PROJECTION ARM ADJUSTOR

ALUMIL HEAVY DUTY PARALLEL PROJECTION CURTAIN WALL STAY ARMS

FUNCTION

A high-performance parallel opening hinge range for curtain wall and structurally glazed windows with Alumil logo

TECHNICAL FEATURES

- Provide ultimate natural ventilation by allowing a balanced air flow around the entire opening
- Maintaining aesthetically pleasing sightlines for modern facade design
- From 0.35m to 2.0m height, 0.25m to 2.0m width and up to 200kg vent
- Can be connected to a building management system as part of an automated solution for climate control
- Can be operated manually or using electric actuators
- Unique patented parallelism adjustment
- Patented synchronization method on larger hinge sizes
- Sash adjustment feature for use with heavier vents
- Hinge mechanism is fully concealed when the sash is closed
- Extra weight capacity and increased heights can be achieved using more than one stay arm per side
- Each cross on the side mounted arms offers 50kg capacity

MATERIALS

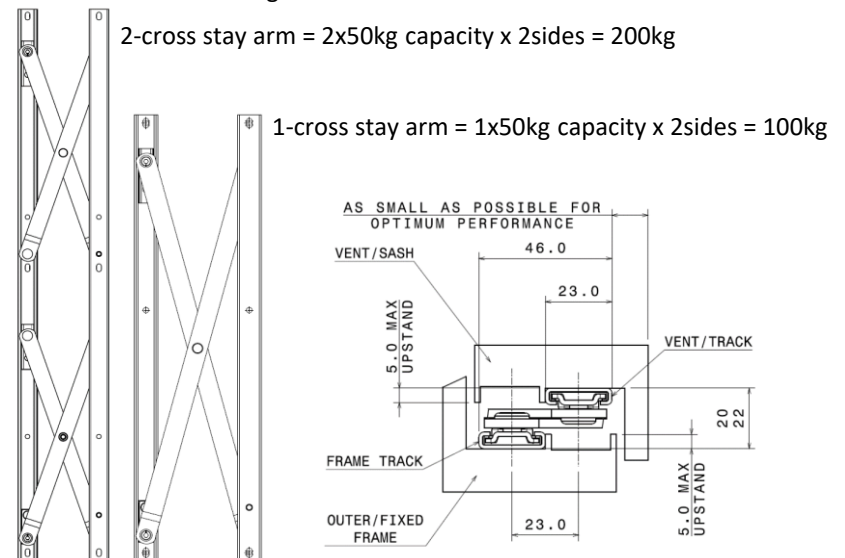
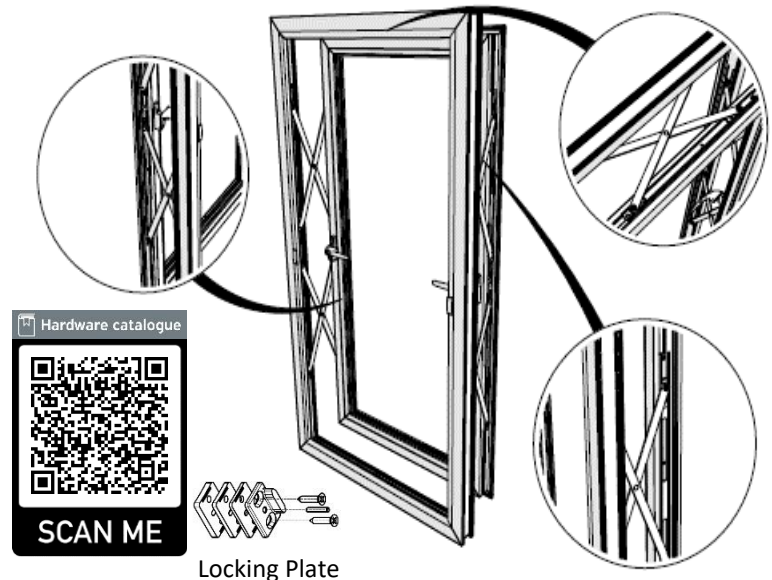
- Grade 1.4301 stainless steel links, track and inner slider [EN 10088-2]
- Grade 1.4567 stainless steel pivots [EN 10263-5]
- Zytel HTN FE8200 NC010 outer slider
- Nylon pivot washer
- Zinc alloy ZA5 pivot blocks
- Phosphor Bronze PB102 bush

SURFACE COATING

- Cold rolled finish stainless steel
- Plastic components are of uniform finish and color
- Die cast components are finished with copper nickel chrome plating

CERTIFICATION

- Durability: Tested to operate for 20,000 cycles
- Corrosion resistance: Grade 5 -> 480 hours [EN 1670]
- Capable of achieving the requirements for natural smoke and heat exhaust ventilators [EN 12101-2:2003]
- AAMA 901.1
- Up to 12 Year Guarantee



Hinge	Max. Manual Opening Motion (mm)	Max. Motorized Opening Motion (mm)
EX-72000350xx	150	180
EX-72000450xx	150	250
EX-72000700xx	150	150
EX-72000950xx	150	250

CODES & DESCRIPTIONS

EX-7200035000	PARALLEL PROJECTION ARM 100kg 350mm 400<Sh<750 RIGHT
EX-7200035010	PARALLEL PROJECTION ARM 100kg 350mm 400<Sh<750 LEFT
EX-7200045000	PARALLEL PROJECTION ARM 100kg 450mm 750<Sh<1000 RIGHT
EX-7200045010	PARALLEL PROJECTION ARM 100kg 450mm 750<Sh<1000 LEFT
EX-7200070000	PARALLEL PROJECTION ARM 200kg 670mm 1000<Sh<1500 RIGHT
EX-7200070010	PARALLEL PROJECTION ARM 200kg 670mm 1000<Sh<1500 LEFT
EX-7200095000	PARALLEL PROJECTION ARM 200kg 950mm 1500<Sh<2000 RIGHT
EX-7200095010	PARALLEL PROJECTION ARM 200kg 950mm 1500<Sh<2000 LEFT
EX-4156239100	LOCKING PLATE WITH HEIGHT ADJUSTMENT FOR CURTAIN WALL PARALLEL PROJECTION

CURTAIN WALL LIMITERS

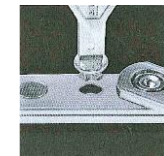
FUNCTION

Hardware that limits the opening angle of curtain wall, used for child safety

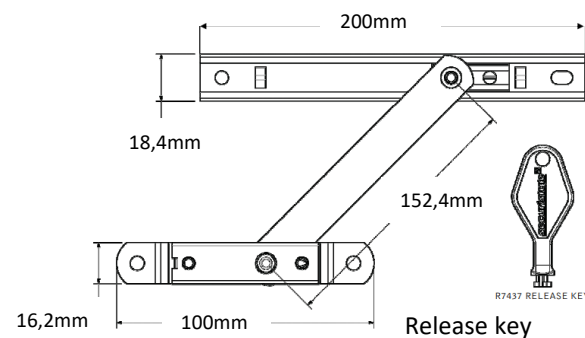
TECHNICAL FEATURES

- Perfect fit to Alumil curtain wall systems
- Available for top hung and side hung windows
- Limiters have composite brake for smooth operation
- Easy to fit, no routing required
- Suitable for 16mm to 18mm cavity heights
- Detachable restrictor
 - Can withstand a force in excess of 1000N when opened at the restricted position
 - Compatible with all Alumil heavy duty curtain wall stay arms
 - Blocks the window for safety and unlocks with a key to achieve full opening
 - Key is an extra code
- Stay open restrictor
 - Must be fitted in pairs
 - Large fitting position tolerance on frame and vent
 - Designed to prevent the window from closing when at open position
 - Stay open position automatically selected on opening of window
 - Restricted opening is defined when fitting stay open restrictors

Curtain wall detachable restrictor



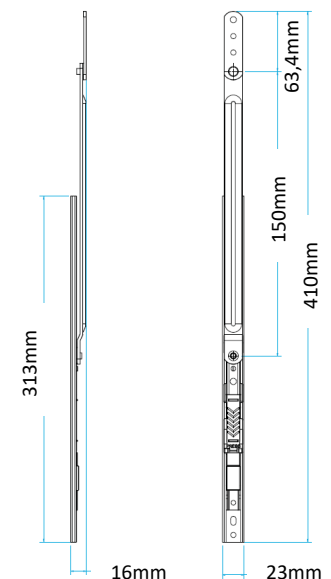
Dedicated release key allowing the restrictor stay to be detached



Stay open restrictor



Release lever is reset when window is fully closed



MATERIALS

- Full austenitic stainless steel AISI 304
- Composite slider

SURFACE COATING

- Stainless steel / No additional surface coating

CERTIFICATION

- Corrosion resistance: Grade 5 -> 480 hours [EN 1670]
- UK BS 6375-2 for Load Bearing Safety Devices
- Extended 12 Year Guarantee
- SIS 212
- NYC DoH Certification for Detachable Restrictor

CODES & DESCRIPTIONS

EX-7200600000	CURTAIN WALL DETACHABLE RESTRICTOR 80-200mm WITH KEY RELEASE INOX
EX-7207437000	DETACHABLE RESTRICTOR RELEASE KEY
EX-7201500000	CURTAIN WALL STAY OPEN RESTRICTOR INOX 150mm MAX OPENING
EX-7200300000	CURTAIN WALL STAY OPEN RESTRICTOR INOX 300mm MAX OPENING

ALUMIL STANDARD HINGE SOLUTIONS

FUNCTION

Standard hinges for doors and windows, applicable on euro groove and PVC groove systems

TECHNICAL FEATURES

- Perfect fit for all opening Alumil systems
- CE hinges fit all standard 14/18 frame - 15/20 sash euro groove systems
- PVC hinge fits all standard 16mm PVC groove systems
- 3 types of hinges available
 - Standard: up to 55kg with 2pcs, 70kg with 3pcs & 80kg with 4pcs
 - Triple: up to 80kg with 2pcs and 90kg with 3pcs
 - Heavy duty: up to 100kg with 2pcs and 120 with 3pcs
- Placement of 2 hinges on top and bottom
- Third hinge placed below the top hinge
- Retain width to height ratio 1:2 on all sizes
- Height limitation depends on system
- Third screw for extra stability on triple hinge
- Heavy duty hinge has eccentric adjustment

MATERIALS

- Full extruded aluminium main body
- Stainless steel pin on standard and heavy-duty hinge
- Stainless steel fixing plates in standard hinge and zamak fixing plates in the rest
- Stainless steel screws
- Galvanized pin on triple hinge
- Polyamide bushings

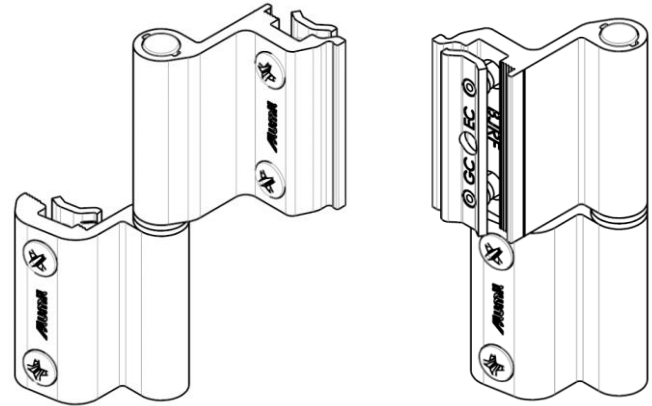
SURFACE COATING

- White powder coating RAL 9016
- Black powder coating RAL 9005 mat
- Silver powder coating Anodic Ice (CE type)
- Silver powder coating RAL 9006 (PVC type)
- Natural anodization
- Special colors upon request

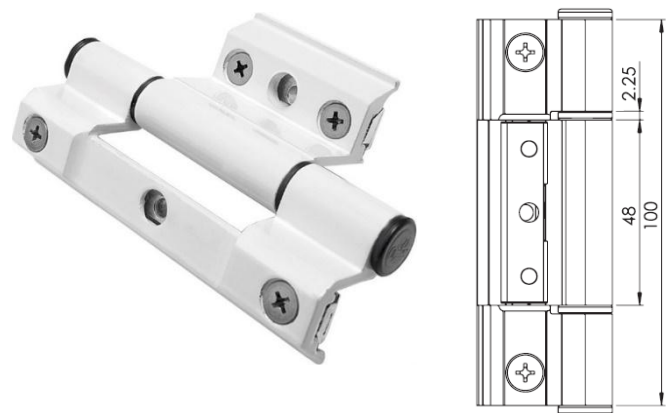
CERTIFICATION

- Durability:
 - Standard hinge: Tested up to 50.000 cycles
- Corrosion resistance [EN 1670]:
 - Standard hinge: Grade 5 -> 480 hours salt-spray test
 - Rest hinges: Grade 4 -> 240 hours salt-spray test
- Alumil 5 Year Guarantee

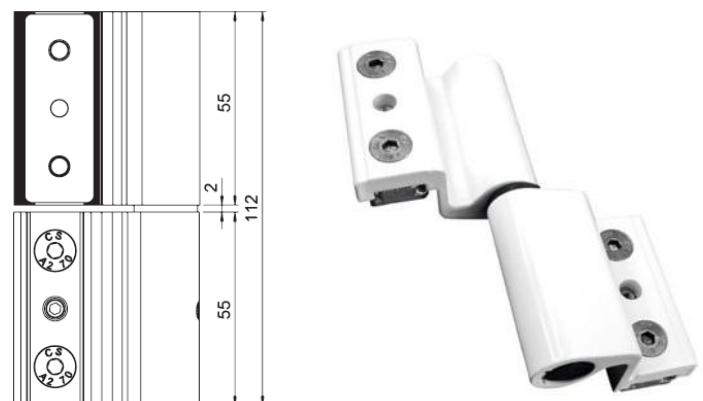
Standard hinge



Triple hinge



Heavy duty hinge



CODES & DESCRIPTIONS

EX-3509730002	STANDARD HINGE ALUMIL WITH INOX FIXING CE WHITE	EX-3601100002	HEAVY DUTY HINGE TYPE CE ADJUSTABLE WHITE
EX-3509730003	STANDARD HINGE ALUMIL WITH INOX FIXING CE BLACK	EX-3601100003	HEAVY DUTY HINGE TYPE CE ADJUSTABLE BLACK
EX-3509730011	STANDARD HINGE ALUMIL WITH INOX FIXING CE SILVER ANODIC ICE	EX-3601100009	HEAVY DUTY HINGE TYPE CE ADJUSTABLE SILVER ANODIC ICE
EX-3509730033	STANDARD HINGE ALUMIL WITH INOX FIXING CE SILVER ANODIZED	EX-3601100033	HEAVY DUTY HINGE TYPE CE ADJUSTABLE SILVER ANODIZED
EX-3501000002	TRIPLE HINGE TYPE CE WHITE	EX-3603100002	HEAVY DUTY HINGE TYPE PVC ADJUSTABLE WHITE
EX-3501000003	TRIPLE HINGE TYPE CE BLACK	EX-3603100003	HEAVY DUTY HINGE TYPE PVC ADJUSTABLE BLACK
EX-3501000009	TRIPLE HINGE TYPE CE SILVER ANODIC ICE	EX-3603100011	HEAVY DUTY HINGE TYPE PVC ADJUSTABLE SILVER ANODIC ICE
EX-3501000033	TRIPLE HINGE TYPE CE SILVER ANODIZED	EX-3603100033	HEAVY DUTY HINGE TYPE PVC ADJUSTABLE SILVER ANODIZED



HEAVY DUTY EURO GROOVE DOOR HINGES ALUMIL

FUNCTION

Euro groove and PVC groove heavy duty hinges for doors with Alumil logo

TECHNICAL FEATURES

- Perfect fit for all euro groove 15/20 and PVC 16mm Alumil doors
- Fully independent 3D adjustment (up/down, side to side and gasket pressure)
- Weight capacity with two hinges:
 - 120 kg for residential use
 - 110 kg for commercial use
 - 100 kg for commercial use combined with a door closer without hold open
 - 90 kg for commercial use combined with a door closer and a limitation arm with hold open
- A third top assembled hinge, close to the upper one, increase weight capacity by 15%. No capacity increase is obtained if the third hinge is assembled in the middle of the door
- Available special anti-theft steel screw
- Available edition of triple hinge

MATERIALS

- Full extruded aluminium main body and fixing plates
- Polyamide bushings
- Stainless steel screws
- Stainless steel AISI 430F eccentric pin

SURFACE COATING

- White powder coated RAL 9016
- Black powder coated RAL 9005
- Silver powder coating Anodic Ice
- Silver anodization
- Special colors upon request

CERTIFICATION

- Certified according to EN 1935:2004 + EC1 2007: Grade 13 (double hinge) or 14 (triple hinge)
- Durability:
 - Grade 7 - Up to 200.000 cycles
 - Individual test: Tested up to 5.000.000 cycles
- Sash mass: 120 kg for double hinge / 150 kg for triple hinge
- Corrosion resistance: Grade 4 -> 240 hours salt-spray test [EN 1670]
- Suitable for burglar-proof doors [EN 1627]
- Alumil 5 Year Guarantee

Double Hinge
Euro Groove & PVC Groove



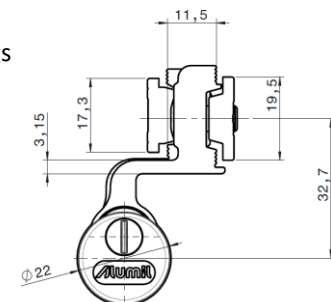
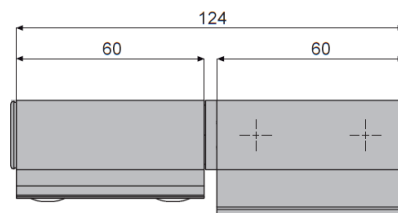
Visible Part



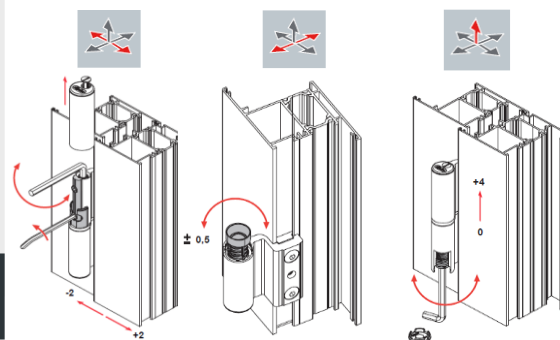
Triple Hinge



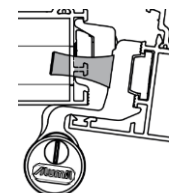
Drawings



Independent 3D adjustment



Extra anti-theft screw



CODES & DESCRIPTIONS

EX-3500567102 HEAVY DUTY DOUBLE C.E. HINGE 3D WHITE 120kg
 EX-3500567103 HEAVY DUTY DOUBLE C.E. HINGE 3D BLACK 120kg
 EX-3500567111 HEAVY DUTY DOUBLE C.E. HINGE 3D SILVER 120kg
 EX-3500567133 HEAVY DUTY DOUBLE C.E. HINGE 3D SILVER ANODIZED 120kg

EX-3605677202 HEAVY DUTY DOUBLE PVC GROOVE HINGE 3D WHITE 120kg
 EX-3605677203 HEAVY DUTY DOUBLE PVC GROOVE HINGE 3D BLACK 120kg
 EX-3605677211 HEAVY DUTY DOUBLE PVC GROOVE HINGE 3D SILVER 120kg
 EX-3605677233 HEAVY DUTY DOUBLE PVC GROOVE HINGE 3D SILVER ANODIZED 120kg

EX-3605690000 SPECIAL ANTI-THEFT STAINLESS STEEL SCREW



EX-3500567202 HEAVY DUTY TRIPLE C.E. HINGE 3D WHITE 150kg
 EX-3500567203 HEAVY DUTY TRIPLE C.E. HINGE 3D BLACK 150kg
 EX-3500567211 HEAVY DUTY TRIPLE C.E. HINGE 3D SILVER 150kg
 EX-3500567233 HEAVY DUTY TRIPLE C.E. HINGE 3D SILVER ANODIZED 150kg

CONCEALED EURO GROOVE DOOR HINGE

NEW!
UPDATE

FUNCTION

Concealed Euro groove door hinge for modern aesthetics

TECHNICAL FEATURES

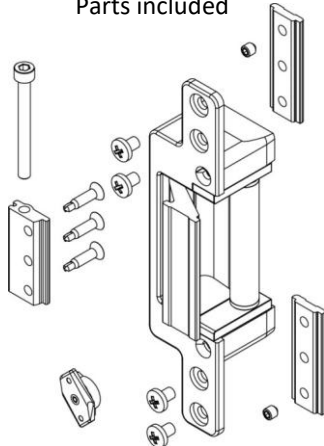
- Fits all Alumil door systems
- Minimum machining on the profiles
- Easy sash hanging
- Easy one-man 3D micro-adjustment
- 150° opening angle
- Capacities
 - 120kg with 2 hinges
 - 135kg with 3 hinges
 - 150kg with 4 hinges
- Stainless fixings included
- For sashes with more than 90° openings, we recommend the use of limitation arm



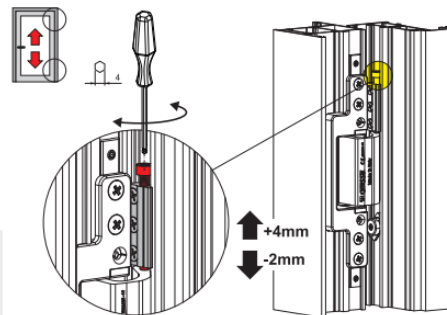
NEW!
UPDATE



Parts included



3D adjustment



Height adjustment



MATERIALS

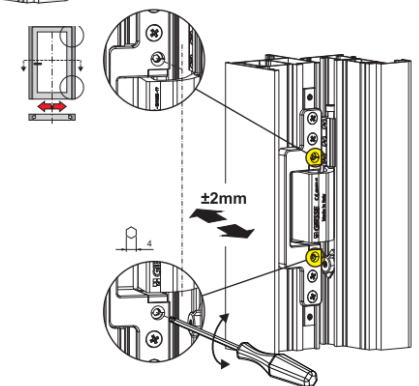
- Zamak main body
- Polyamide cover
- Stainless fixings

SURFACE COATING

- Silver anodized
- Black anodized

CERTIFICATION

- Certified according to EN 1935:2003
- Durability: Grade 7 -> up to 200.000 cycles
- Corrosion resistance: Grade 4 -> 240 hours salt-spray test [EN 1670]
- Sash mass: up to 120kg
- Alumil 5 Year Guarantee



Side adjustment

Profiles to be used

S67: S67514, S67814, S67886, S67906

CODES & DESCRIPTIONS

- | | |
|---------------|---|
| EX-3600072533 | CONCEALED ENTRANCE DOOR HINGE SILVER ANODIZING 3D 120KG |
| EX-3600072545 | CONCEALED ENTRANCE DOOR HINGE BLACK ANODIZING 3D 120KG |

CONCEALED DOOR HINGE FOR COPLANAR DOORS

FUNCTION

Concealed door hinge for modern aesthetics

TECHNICAL FEATURES

- Fits all Alumil door systems
- Minimum machining on the profiles
- Easy sash hanging
- Easy one-man 3D micro-adjustment
- 100° opening angle
- 120kg per sash
- Stainless fixings included

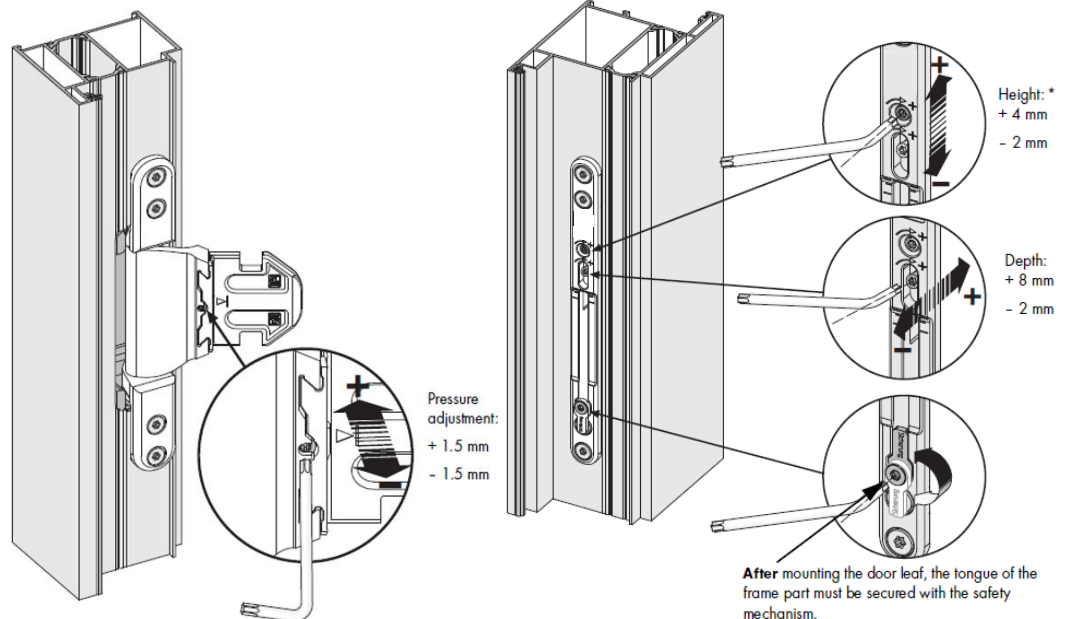
Parts included



Extra accessory for RC2



3D adjustment



MATERIALS

- Zamak main body
- Polyamide cover
- Stainless fixings

SURFACE COATING

- Standard silver

CERTIFICATION

- Up to 120kg
- Antiburglar resistance RC2 by the use of extra accessory EX-4241080420
- Alumil 5 Year Guarantee

CODES & DESCRIPTIONS

EX-3602570000

CONCEALED ENTRANCE DOOR HINGE SILVER ANODIZING 3D 120KG

EX-4241080420

ANTI BURGLAR DEVICE FOR COPLANAR DOOR CONCEALED HINGE

HEAVY DUTY DOOR HINGES ALUMIL

FUNCTION

External heavy duty hinges for doors

TECHNICAL FEATURES

- 60mm hole distance for all standard inwards or outwards opening doors
- Antitheft system for pin removal
- Fully independent 3D adjustment (up/down, side to side and gasket pressure)
- Weight capacity with two hinges:
 - 160kg for residential use
 - 145kg for commercial use
 - 130kg for commercial use combined with a door closer
 - 115kg for commercial use combined with a door closer and a limitation arm
- Self-tapping screws for thermally broken profiles available (4 screws per hinge)
- Fixing plates for single wall application available (1 set per hinge)
- Universal drilling template for all hinges

MATERIALS

- Full extruded aluminium body
- Stainless steel pin
- Nylon caps
- Zamak bushings

SURFACE COATING

- White powder coated RAL 9016
- Black powder coated RAL 9005
- Silver powder coated Anodic Ice
- Silver anodization

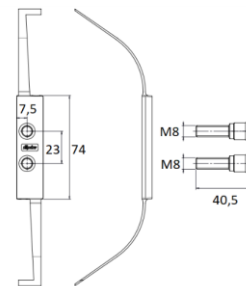
CERTIFICATION

- Certified according to EN 1935:2004+EC1 2007: Grade 14 hinge
- Durability:
 - Grade 7 -> 200.000 cycles
 - Individual test: -> 10.000.000 cycles
- Sash mass: 160kg
- Corrosion resistance: Grade 4 -> 240 hours salt-spray test [EN 1670]
- Suitable for burglar-proof doors [EN 1627]
- 3-star rating by SKG
- Alumil 5 Year Guarantee

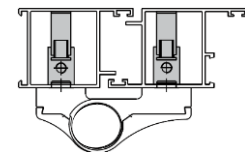
Preview



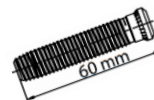
A. Installation with fixing plates



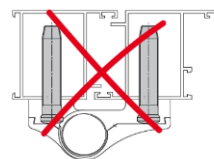
Example of installation on cold profiles



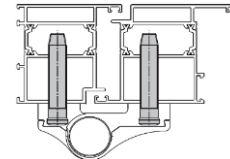
B. Installation with screws



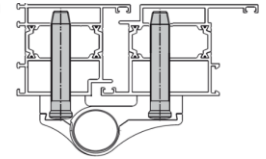
One wall fixing (cold profiles) is NOT applicable



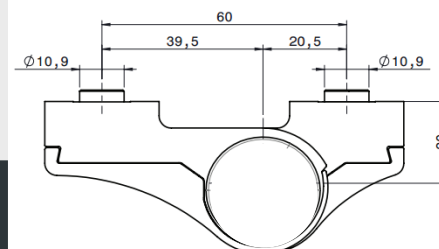
Two wall fixing



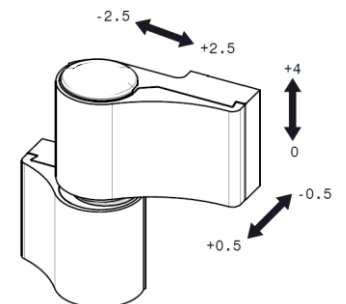
Three wall fixing



Drawing



Independent 3D adjustment



CODES & DESCRIPTIONS

EX-3607000202	DOUBLE HEAVY DUTY DOOR HINGE 60mm WHITE
EX-3607000203	DOUBLE HEAVY DUTY DOOR HINGE 60mm BLACK
EX-3607000211	DOUBLE HEAVY DUTY DOOR HINGE 60mm SILVER
EX-3607000233	DOUBLE HEAVY DUTY DOOR HINGE 60mm SILVER ANODIZATION
EX-7626604100	SELF TAP SCREW FOR HINGES EX-36070002xx
EX-3606620200	FASTENING KIT WITH COUNTER-PLATES FOR HINGES EX-36070002xx
EX-3606825000	DRILL JIG FOR DOUBLE HINGES EX-36070002xx

HEAVY DUTY DOOR HINGES BY DR HAHN

FUNCTION

External heavy-duty hinges for doors

TECHNICAL FEATURES

- 65mm for all inward and outward opening doors
- Fully independent 3D adjustment without raising or removing the door
- Antitheft system for pin removal with integrated screw
- Versions for thermally broken profiles with screws and for single wall profiles with fixing plates
- Hinges with fixing plates and for uneven sash/frame are with preinstalled spacers
- Fixing plates with 21mm depth for small chambers
- Triple version available for weight up to 220kg
- Drilling jigs available according to the hinge
- Rust proof continuous bearing ping / no necessity for lubrication
- Horizontal adjustment $\pm 2.5\text{mm}$, Vertical adjustment $+3\text{mm}/-2\text{mm}$, gasket pressure $\pm 0.5\text{mm}$

MATERIALS

- Full extruded aluminium body
- Stainless steel pin
- Nylon caps and bushings

SURFACE COATING

- White powder coated RAL 9010
- Black / silver anodized

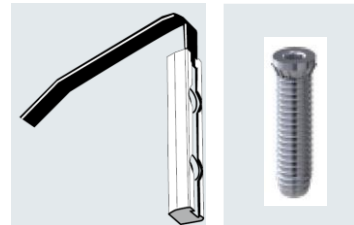
CERTIFICATION

- Certified according to EN 1935: Grade 14 hinge
- Durability: Grade 7 - Up to 200.000 cycles
- Corrosion resistance: Grade 4 -> 240hours [EN 1670]
- Max certified weight is 180kg
- Suitable for fire/smoke retardant doors [EN 1634-1]
- Suitable for burglar-proof doors [EN 1627]
- 3-star rating by SKG
- Alumil 5 Year Guarantee

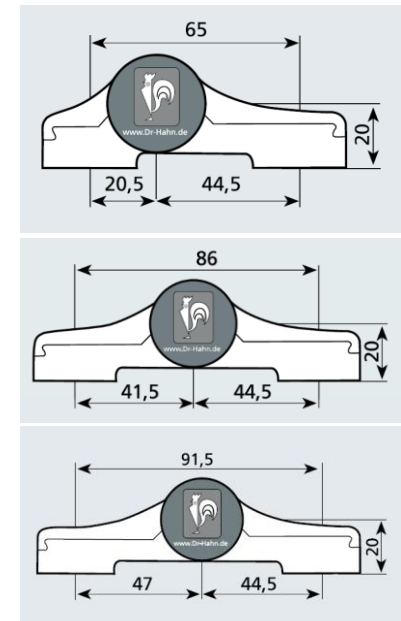


Different fixing types

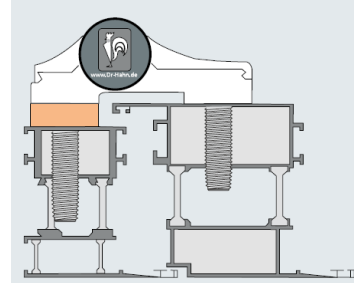
a. with fixing plates b. with screws



Different hole distances



Installation with spacer on the frame



CODES & DESCRIPTIONS

EX-3605890112	DOUBLE DOOR HINGE 65mm WITH SCREW 58mm BLACK ANOD	EX-3609591200	DRILL JIG - DOUBLE HINGE WITH PLATE 65mm WITH ADDITION 15mm
EX-3605890111	DOUBLE DOOR HINGE 65mm WITH SCREW 58mm SILVER ANOD	EX-3600910100	DRILL JIG - DOUBLE HINGE WITH PLATE 65mm WITH ADDITION 9mm
EX-3605890102	DOUBLE DOOR HINGE 65mm WITH SCREW 58mm WHITE RAL9010	EX-3600010500	DRILL JIG - DOUBLE HINGE WITH PLATE 91,5mm
EX-3605891112	DOUBLE DOOR HINGE 86mm WITH SCREW 58mm BLACK ANOD	EX-3600910500	DRILL JIG - DOUBLE HINGE WITH PLATE 91,5mm WITH ADDITION 9mm
EX-3605891111	DOUBLE DOOR HINGE 86mm WITH SCREW 58mm SILVER ANOD	EX-3609565200	DRILL JIG - DOUBLE HINGE WITH SCREW / PLATE 65mm FOR FLAT PROFILES
EX-3605891102	DOUBLE DOOR HINGE 86mm WITH SCREW 58mm WHITE RAL9010	EX-3600011100	DRILL JIG - DOUBLE HINGE WITH SCREW 86mm FOR FLAT PROFILES
EX-3605895112	TRIPLE DOOR HINGE 65mm WITH SCREW 58mm BLACK ANOD	EX-3601010800	DRILL JIG - DOUBLE HINGE WITH SCREW 65mm WITH ADDITION 8mm
EX-3605895111	TRIPLE DOOR HINGE 65mm WITH SCREW 58mm SILVER ANOD	EX-3600015100	DRILL JIG - TRIPLE HINGE WITH SCREW 65mm FOR FLAT PROFILES
EX-3605895102	TRIPLE DOOR HINGE 65mm WITH SCREW 58mm WHITE RAL9010		
EX-3609018511	DOUBLE DOOR HINGE 65mm WITH SCREW 58mm WITH ADDITION 8mm SILVER ANOD (WHITE ADDITION)		
EX-3609018611	DOUBLE DOOR HINGE 65mm WITH SCREW 58mm WITH ADDITION 8mm SILVER ANOD (BLACK ADDITION)		
EX-3609018512	DOUBLE DOOR HINGE 65mm WITH SCREW 58mm WITH ADDITION 8mm BLACK ANOD (BLACK ADDITION)		
EX-3609018502	DOUBLE DOOR HINGE 65mm WITH SCREW 58mm WITH ADDITION 8mm WHITE RAL9010 (WHITE ADDITION)		
EX-3602190112	DOOR HINGE 65mm DOUBLE WITH PLATE 21mm BLACK ANOD		
EX-3602190111	DOOR HINGE 65mm DOUBLE WITH PLATE 21mm SILVER ANOD		
EX-3602190102	DOOR HINGE 65mm DOUBLE WITH PLATE 21mm WHITE RAL9010		
EX-3601590112	DOOR HINGE 65mm DOUBLE WITH PLATE 21mm WITH ADDITION 15mm BLACK ANOD		
EX-3601590111	DOOR HINGE 65mm DOUBLE WITH PLATE 21mm WITH ADDITION 15mm SILVER ANOD		
EX-3601590102	DOOR HINGE 65mm DOUBLE WITH PLATE 21mm WITH ADDITION 15mm WHITE RAL9010		
EX-3600990112	DOOR HINGE 65mm DOUBLE WITH PLATE 21mm WITH ADDITION 9mm BLACK ANOD		
EX-3600990111	DOOR HINGE 65mm DOUBLE WITH PLATE 21mm WITH ADDITION 9mm SILVER ANOD		
EX-3600990102	DOOR HINGE 65mm DOUBLE WITH PLATE 21mm WITH ADDITION 9mm WHITE RAL9010		
EX-3602190512	DOOR HINGE 91,5mm DOUBLE WITH PLATE 21mm BLACK ANOD		
EX-3602190511	DOOR HINGE 91,5mm DOUBLE WITH PLATE 21mm SILVER ANOD		
EX-3602190502	DOOR HINGE 91,5mm DOUBLE WITH PLATE 21mm WHITE RAL9010		



ALUMIL SD/MD DOOR HINGE

FUNCTION

Heavy duty Alumil Supreme Door hinge

TECHNICAL FEATURES

- Fully independent 3D micro-adjustment (height, side to side and gasket pressure)
- Remains aligned even when fully adjusted
- Easy installation without any inserts in the chambers
- Same hinge for right and left and inward-outward application
- Burglar proof pin
- Self-taping screw or rivet application (both included in the kit)
- Tested up to 160kg
- Triple hinge design for enhanced stability
- Complete fixing set and installation instructions in one package



MATERIALS

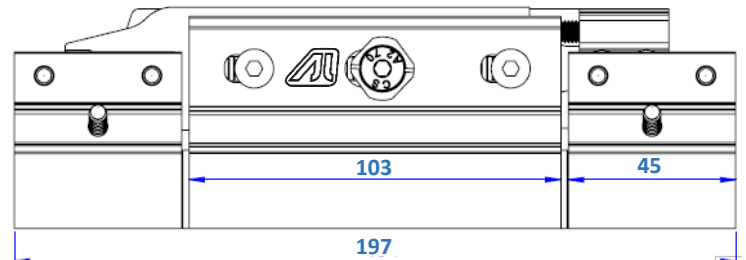
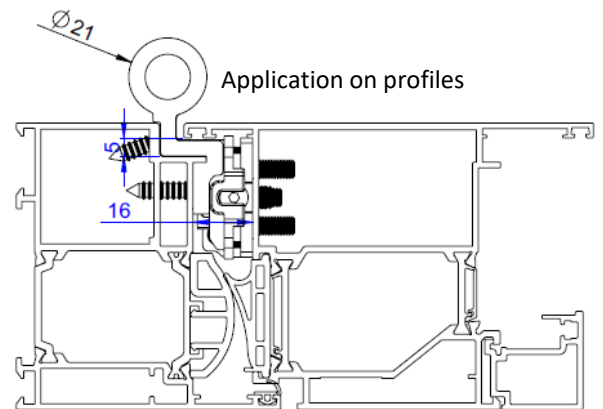
- Full extruded aluminium main body
- Stainless steel pin
- Glass reinforced bushings
- Full stainless steel fixing screws
- CNC machined adjustment plate

SURFACE COATING

- Silver anodized
- Inox anodized
- Black anodized

CERTIFICATION

- Tested according to EN 1935
- Durability: Independent test - Grade 7 -> 200.000 cycles - 160kg
- Alumil 5 Year Guarantee



CODES & DESCRIPTIONS

INT-3607795011	ALUMIL HINGE 3D FOR SD/MD DOORS INOX ANODIZED
INT-3607795033	ALUMIL HINGE 3D FOR SD/MD DOORS SILVER ANODIZED
INT-3607795045	ALUMIL HINGE 3D FOR SD/MD DOORS BLACK ANODIZED

ALUMIL PIVOT HINGES FOR SD DOORS

NEW!
UPDATE

FUNCTION

Pivot hinges for Alumil Supreme door systems SD77 and SD115 with Alumil logo

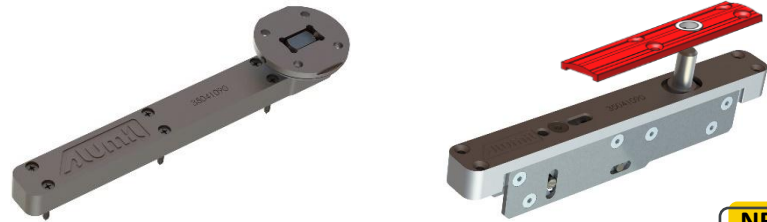
TECHNICAL FEATURES

- Allow a door to pivot in both directions
- Vertical rotation axis not in the side but in the inner of the sash
- Carry more weight than traditional hinges because the weight of the door is supported by the bottom unit and the floor rather than the doorframe.
- Perfect choice for a large and heavy door
- Provide great aesthetics
- SD77 hinges can be used for M35 and P150 Office systems

SD77 Mechanism

Low Pivot Mechanism

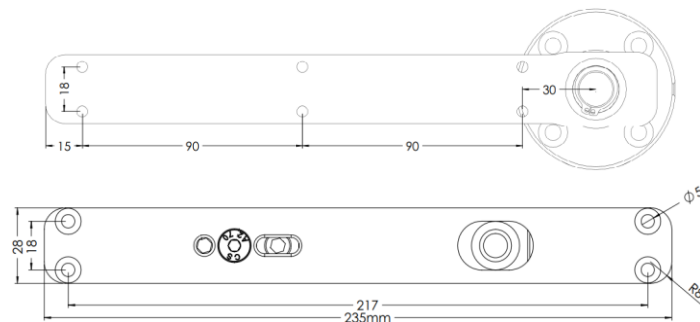
Upper Pivot Mechanism



NEW!
UPDATE



Drawings



MATERIALS

- Stainless steel AISI 304 plates
- Main body:
 - SD77 anodized aluminum
 - S115 aluminum

SURFACE COATING

- No additional surface treatment

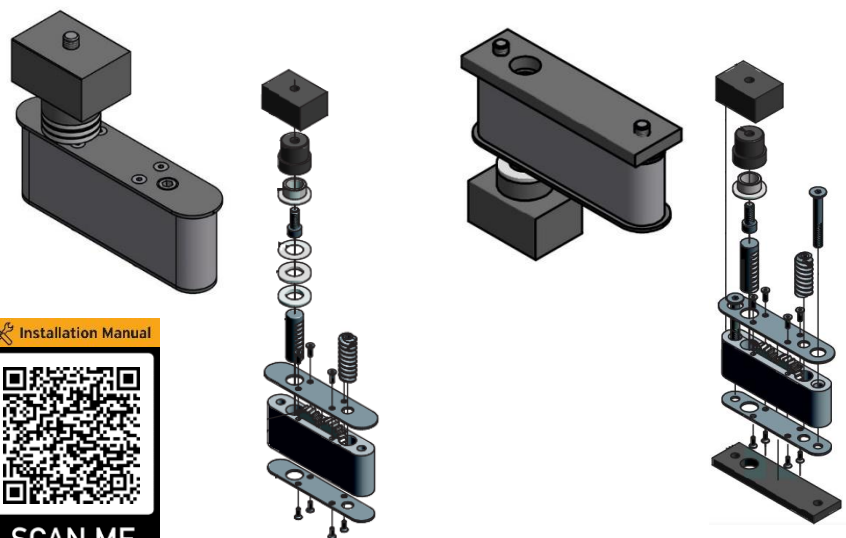
CERTIFICATION

- SD77
 - Tested up to 500kg sash weight
 - Tested up to 180kg horizontal tension
- SD115
 - Tested up to 500kg sash weight
- Alumil 5 Year Guarantee

SD115 Mechanism

Low Pivot Mechanism

Upper Pivot Mechanism



CODES & DESCRIPTIONS

INT-3504109000	PIVOT MECHANISM SET SD77
EX-3504108100	UPPER PIVOT MECHANISM FOR ZEN SD115
EX-3504108200	LOW PIVOT MECHANISM FOR ZEN SD115

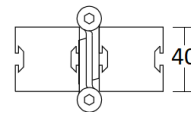
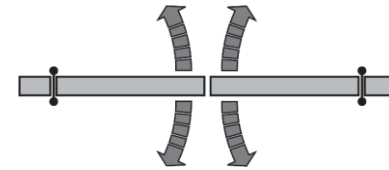
“ALLE-RETOUR” HINGES FOR SWING DOORS

FUNCTION

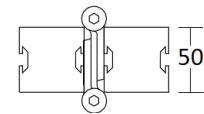
Indoor and outdoor installation hinges for swing doors

TECHNICAL FEATURES

- Easy installation
- Maximum opening angle: 180°
- Automatic door return with adjustable power via the caps
- Designed for 40mm and 50mm door thicknesses
- Loading capacity for door width 0,6 - 1m according to the diagrams
- High performance spring hinges
- Spring system is composed of set of blades that works by torsion
- The quality of materials used, offers high resistance to breakage and deformation and optimum elasticity



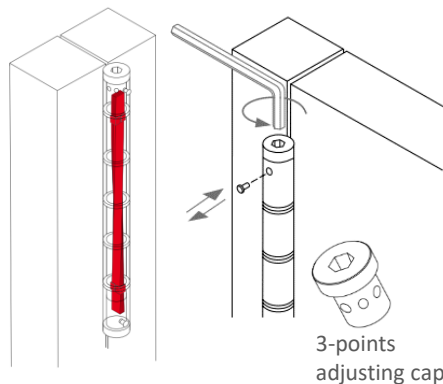
Door thickness 40mm



Door thickness 50mm



Compatible with systems:
M9400, M15000



Installation with screws



EX-7981224832
or
EX-7981224838

MATERIALS

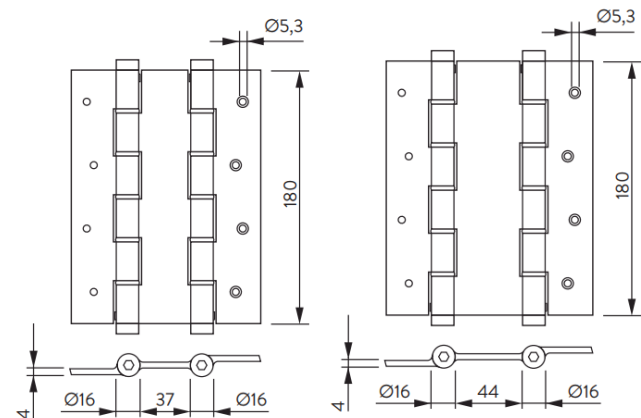
- Anodized aluminium body
- Zamak adjustable cap
- Polyamide washer
- Stainless steel AISI 304 inner axle
- Inner spring with steel blades set

SURFACE COATING

- White powder coating RAL 9016
- Black / Silver anodized

CERTIFICATION

- Production based on ISO 9001:2015
- Durability: Tested up to 500.000 cycles
- Alumil 5 Year Guarantee



CODES & DESCRIPTIONS

EX-3500000302	HINGE ALLER RETOUR ALUMINIUM 180x40 WHITE
EX-3500000303	HINGE ALLER RETOUR ALUMINIUM 180x40 BLACK
EX-3500000309	HINGE ALLER RETOUR ALUMINIUM 180x40 SILVER
EX-3500000502	HINGE ALLER RETOUR ALUMINIUM 180x50 WHITE
EX-3500000503	HINGE ALLER RETOUR ALUMINIUM 180x50 BLACK
EX-3500000509	HINGE ALLER RETOUR ALUMINIUM 180x50 SILVER

HORIZONTAL PIVOT HINGES

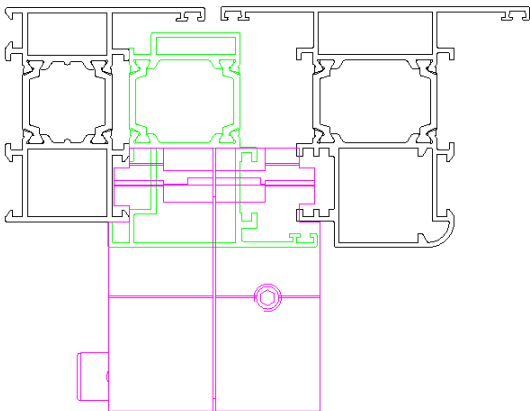
FUNCTION

Standard horizontal euro groove pivot hinges for opening windows

TECHNICAL FEATURES

- Pivoting hinges allow minimum sash intrusion and maximum opening
- For sashes up to 80kg
- Placement of hinges at the middle of the verticals
- Lever allows for full opening or blocks the opening at 30° with color indication
- Packaged in pairs
- Full opening allows for easy cleaning of the outside
- Locking points may be used only below the hinge line
- Hinges are not fitted on vertically pivoting windows
- Tested for SMARTIA M15000 and SUPREME S77

Application of profiles



MATERIALS

- Extruded aluminium main body and plates
- Low friction internal plate
- Anti-corrosion pin and other fixings

SURFACE COATING

- White powder coating RAL 9010
- Black powder coating RAL 9005
- Silver satin anodized

CERTIFICATION

- Individual test according to EN 13126-09:2013
- Durability: Grade 5 -> 25.000 cycles for sash 80 kg
- Corrosion resistance: Grade 5 -> 480 hours salt-spray test
- Alumil 5 Year Guarantee

Parts included in one pair



CODES & DESCRIPTIONS

EX-3501609002	PAIR OF HORIZONTAL PIVOT HINGES FOR WINDOWS WHITE
EX-3501609003	PAIR OF HORIZONTAL PIVOT HINGES FOR WINDOWS BLACK
EX-3501609011	PAIR OF HORIZONTAL PIVOT HINGES FOR WINDOWS SILVER ANODIZED

HEAVY DUTY PIVOT HINGES

FUNCTION

Heavy duty horizontal and vertical pivot hinges for euro groove systems

TECHNICAL FEATURES

- Available in both vertical and horizontal pivot versions
- Convenient hardware adjustment:
 - adjustable friction-brake integrated in horizontal & vertical pivot hinges ensures a fixed opening angle even in windy conditions
 - height adjustment +3mm (on vertical pivot-hinges)
 - gasket pressure adjustment: ± 1 mm on all eccentric locking cams
- 180° rotation allowing for easy cleaning
- Space saving solution with half the sash width swinging inwards
- Vertical pivot fittings can be pivoted centrally or eccentrically
- Horizontal pivot hinges are flush with the window in closed position providing great aesthetics
- Transfer rod movement for extra locking points
- Please refer to technical drawings for complete application and machinings
- Horizontal pivot hinges for sash widths 600-2800mm, sash heights 600-2200mm
- Vertical pivot hinges for sash widths 600-1600mm, sash heights 600-2800mm
- Hardware load-bearing capacity tested up to 175kg sash weight
- Perfect fit for SUPREME S77

MATERIALS

- Hardware components from high-quality steel and Zamac die-casting
- Zamac pivot-hinge components are powder-coated
- The steel components consist of stainless alloys

SURFACE COATING

- White powder coating RAL 9016
- Dark brown powder coating RAL 8022
- Anodised silver in F1/EV1 surface-finish
- Zamac die-casting components are subjected to bichromating surface treatment and an additional silver-colored coating

CERTIFICATION

- Certified according to EN 13126-9:2013
- Durability:
 - Grade 3 -> 10.000 cycles (horizontal pivot hinges)
 - Grade 4 -> 15.000 cycles (vertical pivot hinges)
- Corrosion resistance
 - Grade 4 -> 240 hours salt spray test (horizontal pivot hinges)
 - Grade 3 -> 96 hours salt spray test (vertical pivot hinges)
 - Individual zinc die-cast component with bichromating treatment: Grade 5 -> 1,000 hours salt spray test [EN 1670]
- Sash weight: up to 175kg
- In accordance with the REACH regulation (1907/2006/EG) regarding SVHC substances
- DIN EN ISO 9001:2008
- Alumil 5 Year Guarantee

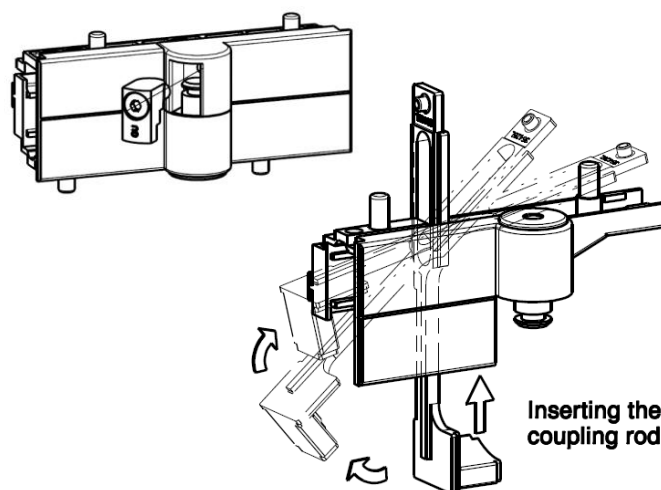
Horizontal pivot hinge

Closed position

Open position



Vertical pivot hinge



CODES & DESCRIPTIONS

EX-4152733702	PIVOT HEAVY DUTY HINGE FOR VERTICAL WINDOWS WHITE	EX-4163930011	STAY ARM UN 18
EX-4152733706	PIVOT HEAVY DUTY HINGE FOR VERTICAL WINDOWS BROWN		
EX-4152733709	PIVOT HEAVY DUTY HINGE FOR VERTICAL WINDOWS SILVER		
EX-4154260100	BAG OF COUPLING ROD FOR VERTICAL PIVOT HEAVY DUTY HINGE LEFT		
EX-4154260200	BAG OF COUPLING ROD FOR VERTICAL PIVOT HEAVY DUTY HINGE RIGHT		
EX-4162120702	PIVOT HEAVY DUTY HINGE FOR HORIZONTAL WINDOWS WHITE		
EX-4162120706	PIVOT HEAVY DUTY HINGE FOR HORIZONTAL WINDOWS BROWN		
EX-4162120711	PIVOT HEAVY DUTY HINGE FOR HORIZONTAL WINDOWS SILVER		

ALUMIL SINGLE POINT DOOR LOCKS

FUNCTION

Single point lock with latch or roller for standard doors with engraved Alumil logo. Hook lock for bi-folding doors

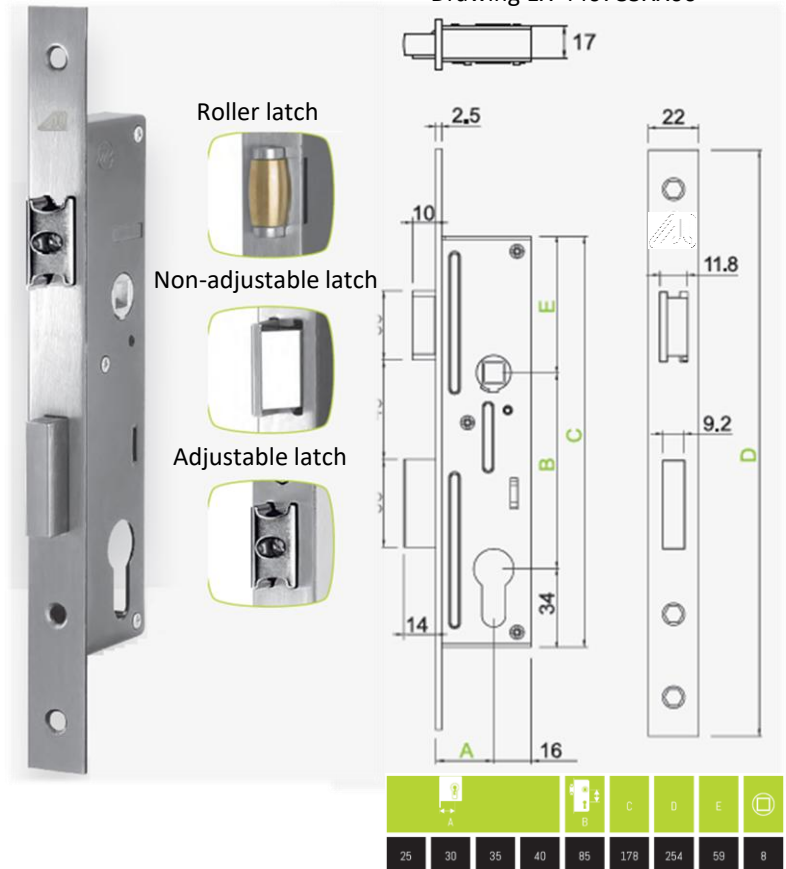
TECHNICAL FEATURES

- 25mm backset with non-adjustable latch
- 30, 35 and 40mm backsets with reversible and adjustable latch
- Roller latch available (extra code) for push open doors which transforms the adjustable latch locks (30, 35 & 40mm) to roller latch locks
- Each set contains a simple inox striker and plastic spacers for correct lock fitment on the sash
- Adjustable striker (extra code) available for all backsets
- Fixing screws included in the package
- Standard DIN cylinder holes for cylinder defender rosette
- Single point lock available also with hook for bi-folding doors

Hook lock
for bi-folding doors



Drawing EX-440785XX00



EN 12209: Specifications



MATERIALS

- Front plate in stainless steel AISI 304
- Adjustable striker in stainless steel AISI 304

SURFACE COATING

- No additional surface coating

CERTIFICATION

- Certified according to EN 12209
- Durability: Grade C - 200.000 cycles
- Corrosion resistance: Grade C – 96 hours salt spray test
- Alumil 5 Year Guarantee



CODES & DESCRIPTIONS

EX-4407852500	DOOR LOCK WITH STRIKER ALUMIL 1 POINT SIMPLE LATCH 25/85/22/2.5 INOX
EX-4407853000	DOOR LOCK WITH STRIKER ALUMIL 1 POINT ADJUST. LATCH 30/85/22/2.5 INOX
EX-4407853500	DOOR LOCK WITH STRIKER ALUMIL 1 POINT ADJUST. LATCH 35/85/22/2.5 INOX
EX-4407854000	DOOR LOCK WITH STRIKER ALUMIL 1 POINT ADJUST. LATCH 40/85/22/2.5 INOX
EX-4407074100	ROLLER LATCH FOR ALUMIL DOOR LOCK
EX-4407850000	ADJUSTABLE STRIKER FOR ALUMIL SINGLE POINT DOOR LOCK
EX-4407302500	BI-FOLDING DOOR LOCK WITH STRIKER 1 POINT HOOK 25/85/22/3 M9800 INOX
EX-4407303000	BI-FOLDING DOOR LOCK WITH STRIKER 1 POINT HOOK 30/85/22/3 M19800 INOX

ALUMIL 3-POINT DOOR LOCKS

FUNCTION

Three-point inox faceplate door locks with top and bottom locking points for enhanced security

TECHNICAL FEATURES

- Adjustable and reversible latch
- Standard latch interchangeable with roller latch (EX-4407074100)
- Flat forend 24x3mm
- U shaped forend 24x6mm
- Length 1.700mm
- Adjustable strikers included with the lock
- Single throw falling latch (single key turn)
- Available 3 point locks with hooks for bi-folding doors SMARTIA M9800 and M19800

EN 15685: Specifications



MATERIALS

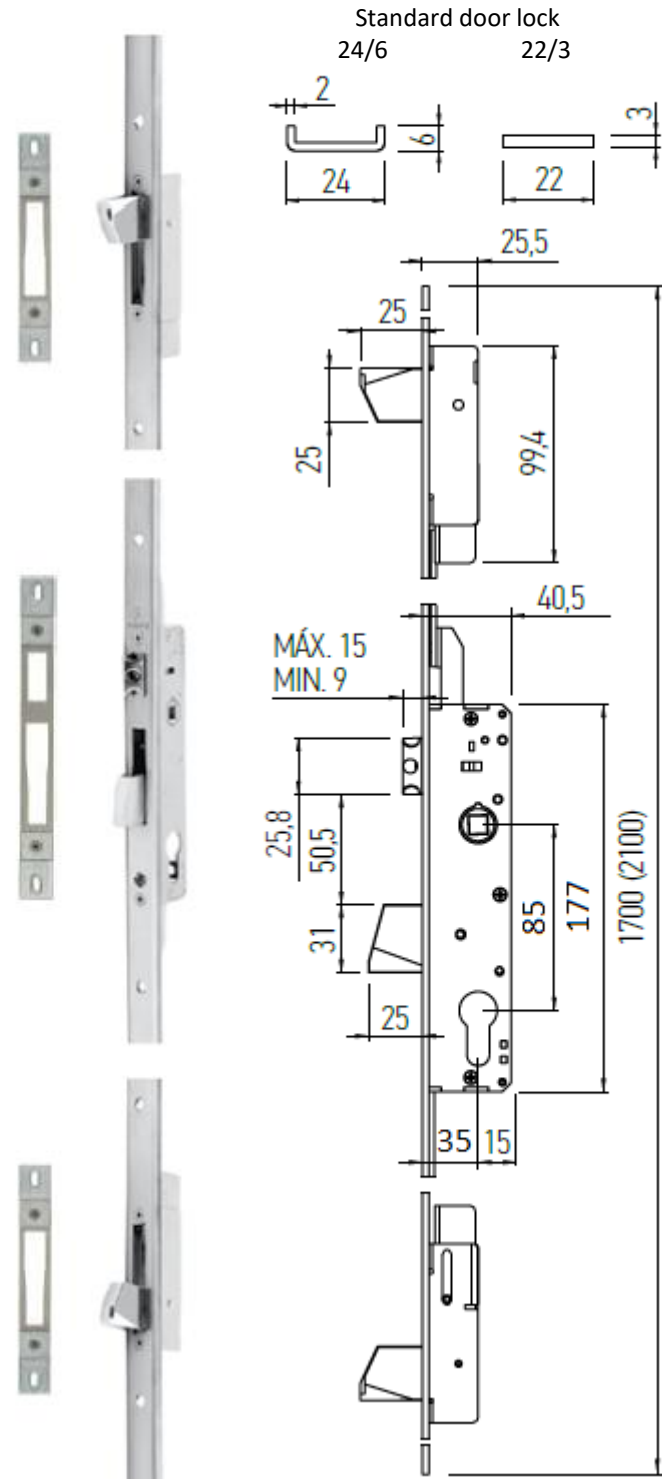
- Stainless steel AISI 304 face plate
- Locking points in zinc steel

SURFACE COATING

- Brushed stainless steel

CERTIFICATION

- Certified according to EN 15685:2010
- Alumil 5 Year Guarantee



CODES & DESCRIPTIONS

- | | |
|---------------|--|
| EX-4507503500 | DOOR LOCK WITH STRIKERS ALUMIL 3 POINTS FALLING ADJ. LATCH 35/85/24/6 INOX |
| EX-4507553500 | DOOR LOCK WITH STRIKERS ALUMIL 3 POINTS FALLING ADJ. LATCH 35/85/22/3 INOX |
| EX-4407452500 | BI-FOLDING DOOR LOCK WITH STRIKERS ALUMIL 3 POINTS HOOKS ADJ. LATCH 25/85/22/3 M9800 INOX |
| EX-4407453000 | BI-FOLDING DOOR LOCK WITH STRIKERS ALUMIL 3 POINTS HOOKS ADJ. LATCH 30/85/22/3 M19800 INOX |

MULTI-POINT DOOR LOCKS

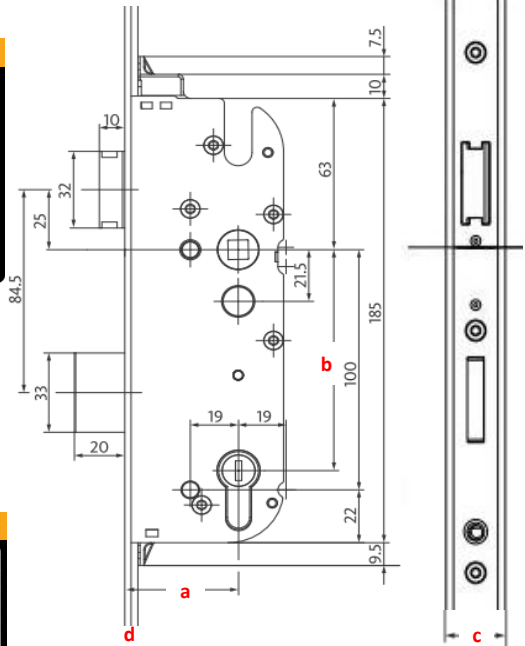


FUNCTION

Multi-point locking system for doors with additional locking points at top and bottom for enhanced security

TECHNICAL FEATURES

- Available in three versions according to locking type:
 - Automatic latch bolts:** When door is closed, the latch bolts automatically throw 20mm and are secured to prevent them being forced back
 - MR2 version:** 2 massive deadbolts with horizontal locking manual movement for protection against being sawn through
 - P/R version:** Adjustable mushroom cam / roller cam with vertical locking manual movement for optimizing gasket pressure in the upper and lower area thus providing better sealing
- Comes in all standard hole distances, backsets and faceplate versions
- Reversible latch, fully adjustable strikers
- Extra codes for roller latch 35 and 45mm. Not available in automatic version
- Extra codes for lock extensions. Not available in P/R version
- Dimensions on drawing a/b/c/d are based on the descriptions below



Lock extensions



MATERIALS

- Hardware components manufactured from high-quality steel and Zamac die-casting
- Faceplate, strikers and latch & deadbolt strikers silver galvanized or stainless steel

SURFACE COATING

- Bichromating surface-treatment and additional silver-colored coating
- Brushed stainless steel

CERTIFICATION

- Certified according to EN 15685:2011
- Durability: Grade S -> 200.000 cycles 50N load on latch bolt and low-maintenance locks
- Corrosion resistance:
 - Grade 4 -> 240 hours salt spray test
 - Individual test 500 hours salt spray test [EN 13126-1]
- Tested up to resistance class RC3 (by IFT Rosenheim)
- Fire and Smoke Protection: Available solutions [DIN 18250]
- In accordance with the REACH regulation [1907/2006/EG] regarding SVHC substances
- Automatic latchbolts certified as Class A by the VdS (German Insurers' Association)
- DIN EN ISO 9001:2008
- Alumil 5 Year Guarantee (2 Years on electric parts)

Adjustable mushroom cam / Roller cam P/R (2 of each)

Massive deadbolt (MR2)

Automatic latchbolt



CODES & DESCRIPTIONS

LOCK CODE	LOCK	OPTION	MID STRIKER CODE (LEFT/RIGHT)	UP / DOWN STRIKER CODE
EX-4501507911 (i)	DOOR LOCK SEC MR2 35/85/16 3 POINTS LATCH 2285mm	(i)	EX-4220604000 / EX-4220604100	EX-4500324811
EX-4505311111 (i)	DOOR LOCK SEC MR2 45/92/16 3 POINTS LATCH 2285mm	(ii)	EX-4153736800 / EX-4153736700	EX-4500324811
EX-4501508011 (i)	DOOR LOCK SEC MR2 35/85/20/3 3 POINTS LATCH 2285mm	(iii)	EX-4500222516	-
EX-4501504511 (i)	DOOR LOCK SEC MR2 35/92/20/3 3 POINTS LATCH 2285mm	(iv)	EX-4220604000 / EX-4220604100	EX-4153593500 + EX-4153726100
EX-4505311311 (i)	DOOR LOCK SEC MR2 45/92/20/3 3 POINTS LATCH 2285mm	(v)	EX-4153736500 / EX-4153736600	EX-4500071316
EX-4405421700 (ii)	DOOR LOCK SEC MR2 35/92/24/6 3 POINTS LATCH 2285mm	(vi)	EX-4500222516	-
EX-4503153110 (ii)	DOOR LOCK SEC MR2 45/92/24/6 3 POINTS LATCH 2285mm	(vii)	EX-4153736500 / EX-4153736600	EX-4153110900
EX-4500373211 (i)	DOOR LOCK SEC AUTOM 35/85/16 3 POINTS LATCH 2285mm			
EX-4504773111 (i)	DOOR LOCK SEC AUTOM 35/92/16 3 POINTS LATCH 2285mm			
EX-4504813111 (i)	DOOR LOCK SEC AUTOM 45/92/16 3 POINTS LATCH 2285mm			
EX-4500373111 (i)	DOOR LOCK SEC AUTOM 35/85/20/3 3 POINTS LATCH 2285mm			
EX-4402847800 (i)	DOOR LOCK SEC AUTOM 35/92/20/3 3 POINTS LATCH 2285mm			
EX-4504823111 (i)	DOOR LOCK SEC AUTOM 45/92/20/3 3 POINTS LATCH 2285mm			
EX-4154803100 (ii)	DOOR LOCK SEC AUTOM 35/92/24/6 3 POINTS LATCH 2285mm			
EX-4502848400 (ii)	DOOR LOCK SEC AUTOM 45/92/24/6 3 POINTS LATCH 2285mm			
EX-4505111301 (iii)	DOOR LOCK SEC AUTOM 45/92/24/6 5 POINTS LATCH INOX 1766mm			
EX-4504200300 (iv)	DOOR LOCK SEC P/R 35/85/16 5 POINTS LATCH 2285mm			
EX-4403570700 (iv)	DOOR LOCK SEC P/R 35/85/20/3 5 POINTS LATCH 2285mm			
EX-4504200100 (iv)	DOOR LOCK SEC P/R 35/92/16 5 POINTS LATCH 2285mm			
EX-4503010111 (iv)	DOOR LOCK SEC P/R 45/92/16 5 POINTS LATCH 2285mm			
EX-4503010211 (iv)	DOOR LOCK SEC P/R 45/92/20/3 5 POINTS LATCH 2285mm			
EX-4505642016 (v) or (vi)	DOOR LOCK SEC D/R 45/92/24/6 5 POINTS LATCH 1766mm			
INT-4502855500 (vii)	DOOR LOCK SEC SH2 40/92/24/6 3 POINTS LATCH 2285mm			

CONVERT TO ROLLER LATCH LOCK
 EX-4163614400 ROLLER LATCH FOR SEC 35mm
 EX-4163614440 ROLLER LATCH FOR SEC 45mm
 EX-4165597100 ACCESSORY FOR LATCH ROLLER 9/13mm
 EX-4854855300 COVER OF STRIKEPLATE FOR DEADBOLT MACHINING BLACK



ELECTRIC CONTROL OF ALUMIL MULTI POINT DOOR LOCKS

FUNCTION

An easy solution to convert multi-point door locks to electric, transforming a simple door into smart

TECHNICAL FEATURES

- Motor is used in multi-point door locks for automatic use.
Nominal Power Supply: 12 V AC / 12-24V DC
- Motor contains cable and connectors
- Ability to use button for the internal side of the system
- 2 available solutions for easy use:
 - Σπιράλ τροφοδοσίας και τροφοδοτικό (βασική λύση)
 - Ανέπαφη κεντρική μονάδα ελέγχου για απολύτως κρυφή εφαρμογή (αναβαθμισμένη λύση) χωρίς την ανάγκη έξτρα τροφοδοτικού

Electric motor



Solution A

Cable duct & power supply



Solution B

Wireless power and data transmission with strike plates



MATERIALS

- Deadbolt hardened inox steel
- Front and striking plate stainless steel

SURFACE COATING

- No additional surface coating

CERTIFICATION

- Alumil 2 Year Guarantee

CODES & DESCRIPTIONS

EX-4401815300	ELECTRIC MOTOR FOR SEC AUTOMATIC DOOR LOCK
EX-4156298600	CONCEALED CABLE DUCT AUTOMATIC A-OPENER
EX-4254077500	POWER SUPPLY 24V DC/70W
EX-4155560000	SECURE CONNECT 200 - WIRELESS POWER AND DATA TRANSMISSION
EX-4153551500	STRIKE PLATE FOR SECURE CONNECT 24X6 (COPLANAR)
EX-4509031111	STRIKE PLATE FOR SECURE CONNECT 24x3 (STEPED)

AUTOMATIC ELECTROMAGNETIC LOCKING SOLUTION



FUNCTION

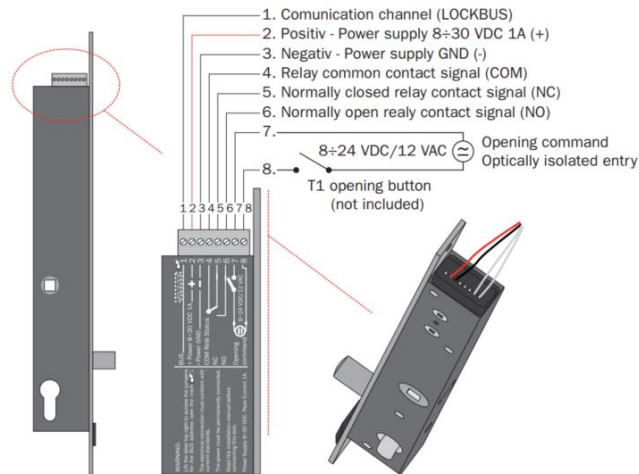
An excellent locking with an automatic electromagnetic lock, which transforms a simple door in a smart access and makes it even safer and more functional thanks to its performance

TECHNICAL FEATURES

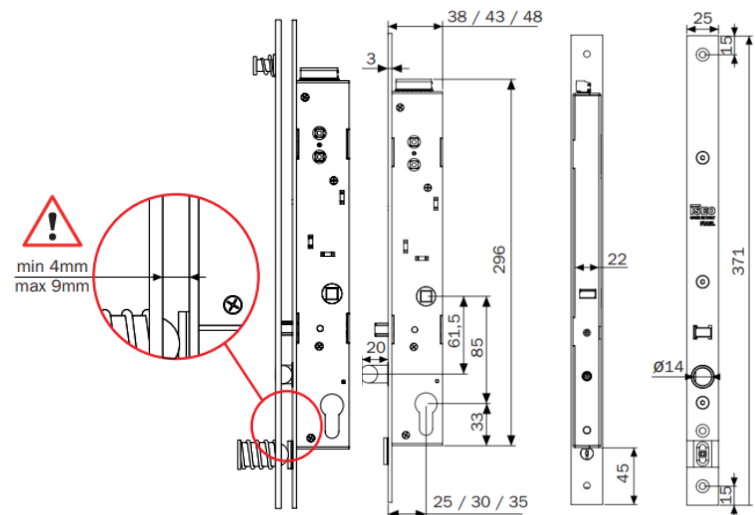
- Available both Fail Secure mode (normally closed) and Fail Safe mode (normally open) versions in case of power failure
- Comes with cylinder hole and 8mm spindle for manual open in case of power failure
- Auto-lock function when sash is in closed position
- A deadbolt with a 20mm extension and Ø14mm diameter ensures a high anti-intrusion security
- Cooperation between striking plate and lock needs to be: 4-9mm
- Power supply from 8 to 30 Vdc
- Horizontal installation for sliding systems
- Adjustable timings:
 - door opening time: 1÷180sec (15sec default)
 - delayed closure time: 1÷60sec (1sec default)
- Ability to convert to smart lock using fingerprint scanner
- A sliding system can easily be converted into entrance door (e.g. use in hotels, villas, etc.)
- Button can be used on the inner side of the system



Electrical connections



Drawing



MATERIALS

- Deadbolt hardened inox steel
- Front and striking plate stainless steel

SURFACE COATING

- No additional surface coating

CERTIFICATION

- Certified according to EN14846:2008
- Durability: Grade C-> 200.000 test cycles
- Security and drill resistance: Grade 3 [EN 12209:2003]
- Alumil 2 Year Guarantee

CODES & DESCRIPTIONS

EX-6300252100	AUTOMATIC ELECTROMAGNETIC LOCK THESIS FAIL SECURE
EX-6300252200	AUTOMATIC ELECTROMAGNETIC LOCK THESIS FAIL SAFE
EX-4254077500	POWER SUPPLY 24V DC/70W

ELECTRIC LATCH PLATE

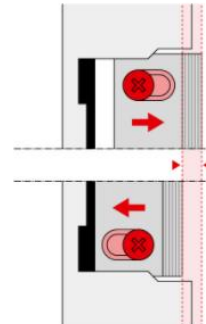
FUNCTION

The latch plate is permanently released upon electrical contact. Locking function is restored upon the door being opened and closed again. With hold open lever

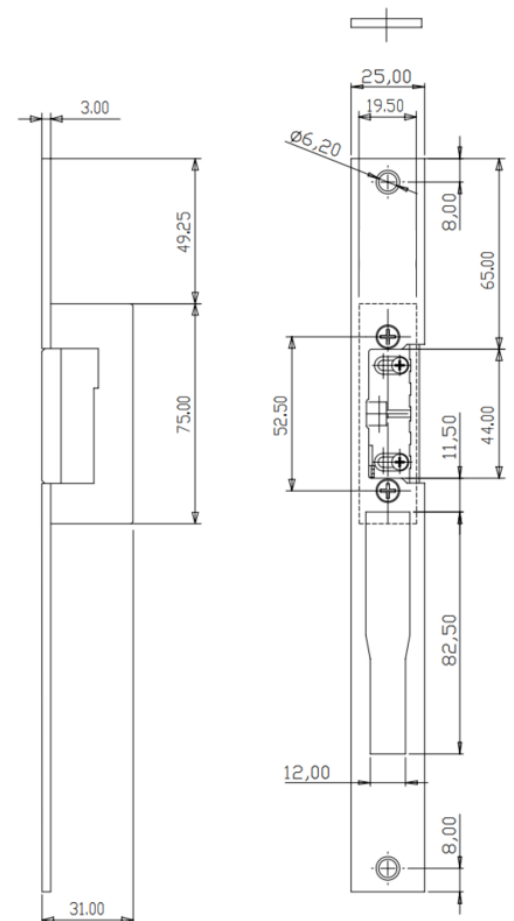
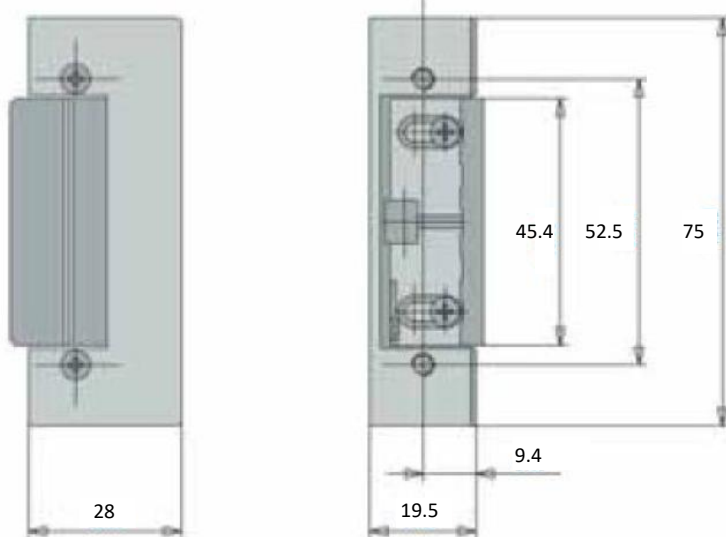
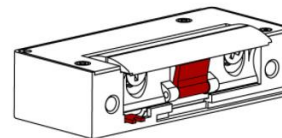
TECHNICAL FEATURES

- Fafix adjustable latch (5mm.)
- Reversible
- Hold open function
- On-off function to set the open position time
- Low core dimension for all use
- Slide, made a wedge (permanent release), make easy latch bolt released
- Power supply unified version alternate current and direct current
- Long life span 250.000 cycles
- Input from 0.5 to 0.8 A

Fafix – adjustable latch



ON-OFF and Hold-open



MATERIALS

- Zamak

SURFACE COATING

- No additional surface coating

CERTIFICATION

- Tested for 250.000 cycles
- Pressure resistance: Individual test on the latch bolt 350kg
- Alumil 5 Year Guarantee

CODES & DESCRIPTIONS

EX-4851621900

ADJUSTABLE ELECTRIC LATCH PLATE

ELECTRIC CONTROL OF ALUMIL MULTI POINT DOOR LOCKS - KEYPAD



FUNCTION

Electric unlock operation of the Alumil range automatic multi point door locks via the use of keypad

TECHNICAL FEATURES

- Keypad made of glass in 3 color variants, stainless steel grey, white and anthracite
- Up to 99 different four-to eight – digit number sequences
- Outdoor use, IP54
- Perfect integration into the design of doors
- Status info via 2 LEDs
- 2 available versions for access control which differ in the power transfer from the frame to the sash:

Basic Version: with cable transfer (differs from fingerprint scanner solution)

Advanced Version: no visible contact between the frame and the sash

- main access control device is consisted of 2 parts, which come into electrical contact when the door closes (compatible with both SecureConnect 50 and SecureConnect 200)
- each main access control device requires 2 strike plates (leaf-side and frame-side) in order to cover the 2 frontplates (extra codes)

Keypad Preview



glass anthracite

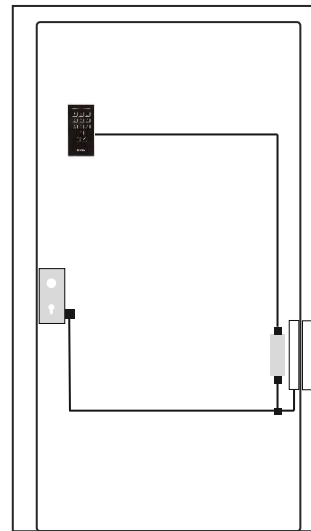


glass stainless steel grey



glass white

Configuration



Legend

- Keypad
- Cable transfer or SecureConnect 50/200
- Multi-point Automatic Lock
- Control Panel
- Cable Adapter
- Cable Connection

MATERIALS

- Glass keypad cover

SURFACE COATING

- No additional surface treatment

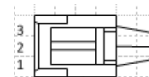
CERTIFICATION

- Alumil 5 Year Guarantee

Electrical Connections

Pin	Color	Description
3	Green	Switching impulse (+)
2	Brown	GND (-)
1	White	VDC (+)

Connection to the motorized lock



CODES & DESCRIPTIONS

EX-4700148500	KEYPAD BOARD FOR THE INPUT OF ACCESS CODES
EX-4700167903	KEYPAD COVER FOR THE INPUT OF ACCESS CODES ANTHRACITE GLASS
EX-4700167908	KEYPAD COVER FOR THE INPUT OF ACCESS CODES STAINLESS STEEL GREY GLASS
EX-4700167902	KEYPAD COVER FOR THE INPUT OF ACCESS CODES WHITE GLASS
EX-4700055600	CABLE CONNECTS KEYPAD BOARD WITH CONTROL PANEL
EX-4700191900	KEYPAD CONTROL PANEL
EX-4401815300	ELECTRIC MOTOR FOR SEC AUTOM DOOR LOCK
Basic Version	
EX-4700164800	CABLE ADAPTER BETWEEN CABLE TRANSFER, MOTORISED LOCK AND CONTROL PANEL
EX-4700088000	CABLE TRANSFER FROM CONTROL PANEL TO WALL-SIDE POWER SUPPLY FOR KEYPAD
EX-4254077500	POWER SUPPLY 24V, 70W
Advanced Version	
EX-4700198300	CABLE ADAPTER BETWEEN CONNECT 50/200, MOTORISED LOCK AND CONTROL PANEL
EX-4155560000	SECURE CONNECT 200 - WIRELESS POWER AND DATA TRANSMISSION
EX-4153551500	STRIKE PLATE FOR MAIN ACCESS CONTROL UNIT FOR MULTI POINT AUTOMATIC DOOR LOCK 24x6
EX-4509031111	STRIKE PLATE FOR MAIN ACCESS CONTROL UNIT FOR MULTI POINT AUTOMATIC DOOR LOCK 24x3

ELECTRIC CONTROL OF ALUMIL MULTI POINT DOOR LOCKS



FUNCTION

Electric unlock operation of the Alumil range automatic multi point door locks via the use of fingerprint scanner

TECHNICAL FEATURES

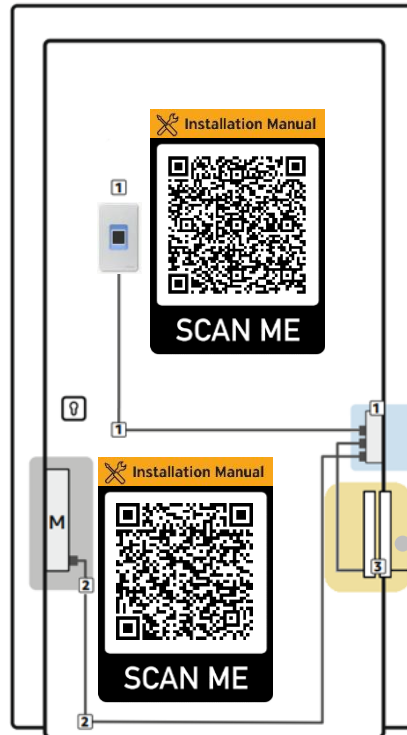
- The fingerprint lock kit (1) contains a) the fingerprint scanner and b) the motherboard. It can be unlocked either by fingerprint or Wi-fi
 - Storage of up to 100 fingerprints (4 fingers per user)
 - Attractive minimal design
 - Remote opening and push notifications
 - Data storage in the event of a power failure
 - Maximum security through encrypted data interface
- 2 available covers in INOX and black color with Alumil logo
- The motor (2) is installed on the automatic lock and is connected to the motherboard. The code contains the cable.
- 2 available versions for access control which differ in the power transfer from the frame to the sash (3):

Basic version: with cable transfer

Advanced version: no visible contact between the frame and the sash (Main Access Control)

- The main access control device is consisted of 2 parts, which come into electrical contact when the door closes
- Each main access control device requires 2 strike plates (leaf-side and frame-side) in order to cover the 2 frontplates (extra codes)

Configuration



Sash – Frame electrical connection

Basic version

- Cable transfer from motherboard to power supply
- Power supply in frame side

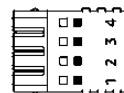


Advanced version

- Main access control unit
- Cable between motherboard and main access control unit
- 2 strike plates

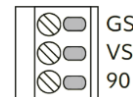
Electrical connections

Connection from motor to Motherboard



Pin	Color	Description
4	-	-
3	Black	Switching impulse (+)
2	Gray	GND (-)
1	brown	VDC (+)

Connection from M/board to Main Access Control (Advanced version)



Pin	Color	Description
GS	Brown	GND (-)
VS	White	VDC (+)
90	green	Switching impulse (+)

Connection to the electrical installation (Basic version)

Color	Description
Brown	GND (-)
White	VDC (+) 12-24V



Easy activation through 'ekey bionyx app'



MATERIALS

- Stainless steel scanner rosette

SURFACE COATING

- No additional surface treatment

CERTIFICATION

- Alumil 5 Year Guarantee

CODES & DESCRIPTIONS

- EX-4401815300 ELECTRIC MOTOR FOR MULTI POINT AUTOMATIC DOOR LOCK
- EX-4701177200 CONTROL SET FOR AUTOM. DOOR LOCK WITH FINGERSCANNER OR WIRELESS WITHOUT COVER
- EX-4701103616 FINGERPRINT SCANNER COVER WITH ALUMIL LOGO INOX
- EX-4701103761 FINGERPRINT SCANNER COVER WITH ALUMIL LOGO BLACK



Basic version

- EX-4702017200 CABLE DUCT FROM MOTHERBOARD TO WALL-SIDE POWER SUPPLY
- EX-4254077500 POWER SUPPLY 24V, 70W

Advanced version

- EX-4155560000 MAIN ACCESS CONTROL UNIT FOR LOCK CONTROL - POWER AND DATA TRANSMISSION
- EX-4702017100 CABLE BETWEEN MOTHERBOARD UNIT AND MAIN ACCESS CONTROL UNIT
- EX-4153551500 STRIKE PLATE FOR MAIN ACCESS CONTROL UNIT FOR MULTI POINT AUTOMATIC DOOR LOCK 24x6
- EX-4509031111 STRIKE PLATE FOR MAIN ACCESS CONTROL UNIT FOR MULTI POINT AUTOMATIC DOOR LOCK 24x3

SINGLE POINT DOOR LOCK "COMBO"

FUNCTION

Single point door lock for balcony windows with the potential of additional locking points at top and bottom for enhanced security

TECHNICAL FEATURES

- Coupled with rod via the specific connection adapters
- Enables making multipoint perimeter locking
- Bolt, spring latch and adapters operated with the handle
- Locking and unlocking the handle using the key
- Spring latch reversible with 10mm protrusion
- Compatible with 8mm door handles EX-38097610xx by the use of extra accessory EX-3808833600 (1 piece per handle or 2 pieces per handle pair)
- Available in 2 different backsets, 35 and 45mm
- Bolt with thickness of 6mm and stroke of 20mm
- Stroke of adapters is 18mm

MATERIALS

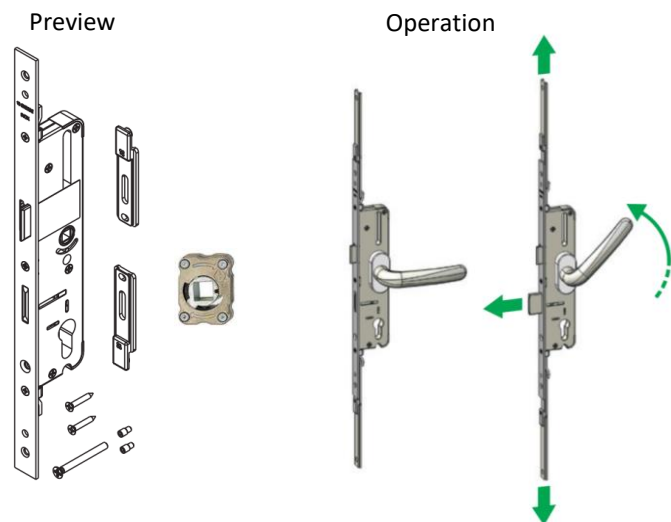
- Lock cover plate and case plate in zinc plated steel
- Internal components in zinc plated steel
- Flat front in stainless steel
- Spring latch and bolt in zinc plated zamak
- Rod connection adapters in zamak
- Pins for fixing adapters and screws for fixing lock in zinc plated steel
- Stainless steel cylinder fixing screw

SURFACE COATING

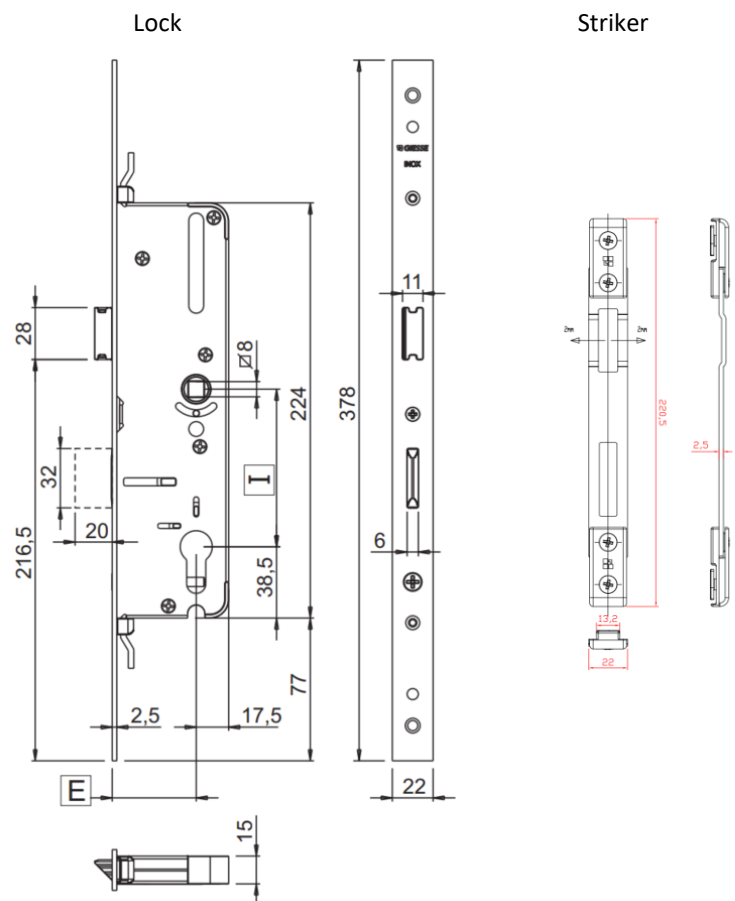
- No additional surface treatment

CERTIFICATION

- Certified according to EN 12209:2016
- Durability: Grade M -> 200.000 cycles 25N load on latch bolt
- Corrosion resistance: Grade C -> High corrosion resistance
- Mass: Grade 7 -> Up to 100kg door mass - 15N maximum closing force
- Alumil 5 Year Guarantee



Drawings



CODES & DESCRIPTIONS

EX-4400464600	LOCK FOR BALCONY DOOR B.35 WITH BOLT
EX-4400465000	LOCK FOR BALCONY DOOR B.45 WITH BOLT
EX-4400465500	COUNTER PLATE FOR BALCONY DOOR LOCK
EX-3808833600	DOUBLE FUNCTION SPRING

LEVER SHOOT BOLT FOR DOUBLE COPLANAR DOORS

FUNCTION

Lever shoot bolt solution for passive leaf of coplanar doors

TECHNICAL FEATURES

- Locking and unlocking function
- When you pull the Lever Shoot Bolt the passive leaf unlocks
- Backset multiple, forend width 24mm
- Double direction throw 18mm
- Complementary accessories needed to complete the solution:
 - Lipped striker for vertical rod
 - Passive leaf control lock
 - Guide plate for vertical rod
 - Floor striker
 - Tube with end plug
 - Solid vertical rod
- When the passive leaf is brought into locking position, the switch lock automatically triggers the locking of the shoot bolts
- This automation prevents the floor of being damaged when closing the passive leaf

MATERIALS

- Stainless steel forend
- Steel folding lever and lock case
- Galvanised rods

SURFACE COATING

- Stainless steel finish

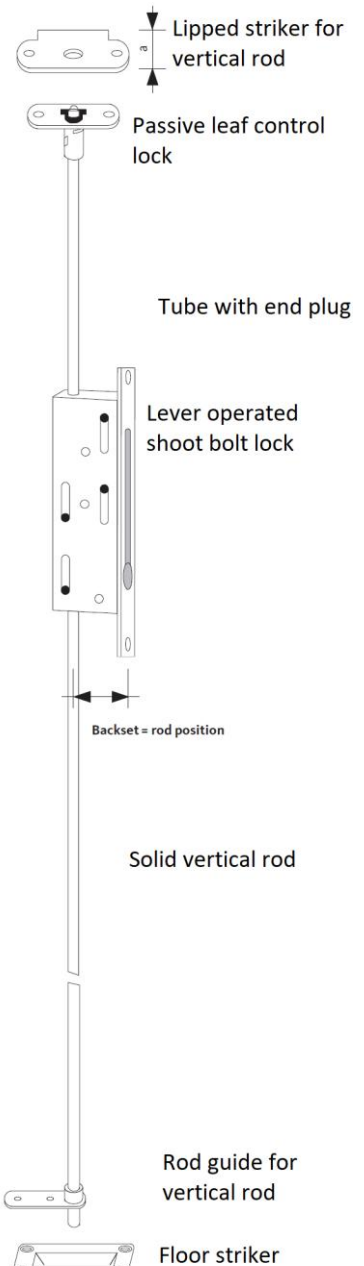
CERTIFICATION

- Certified according to EN 12209:2003
- COR 1:2006-06
- DIN 18251-1/2:2002
- Resistance to repeated opening and closing [EN 1191:2012]
- EN 14351-1:2006 + A1:2010
- Alumil 5 Year Guarantee

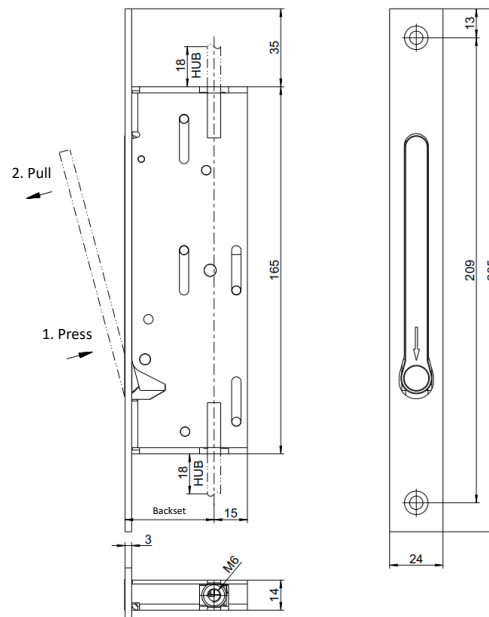
Preview



Recipe



Drawings



CODES & DESCRIPTIONS

EX-4401899200	LEVER OPERATED SHOOT BOLT LOCK 30/24/3 FOR SD115
EX-4401899216	LEVER OPERATED SHOOT BOLT LOCK 65/24/3 FOR SD77
EX-4409920400	LEVER OPERATED SHOOT BOLT LOCK 40/24/3
EX-4169000400	LIPPED STRIKER FOR VERTICAL ROD
EX-4901900150	GUIDE PLATE FOR VERTICAL ROD
EX-4909500350	PASSIVE-LEAF CONTROL LOCK
EX-4900900150	FLOOR STRIKER
EX-4169006500	SOLID VERTICAL ROD 1487mm M6
EX-4909006150	TUBE WITH END PLUG

DOOR CLOSERS



FUNCTION

Door closers of top quality for all types of doors

TECHNICAL FEATURES	OTS140	TS1000	TS1500	TS2000	TS3000	TS5000	CONCEALED 1	CONCEALED 2
Closing power (EN1154)	2 / 3	2 / 3	3 / 4	2 / 3 / 5	1 – 4	2-6	2 – 4	3 - 6
Max sash width	1100mm	950mm	1100mm	1250mm	1100mm	1400mm	1100mm (130kg)	1400mm (180kg)
Closing power adjustment	Body positioning	Arm positioning	Arm positioning	Body positioning	With dials	With dials	With dials	With dials
Main closing speed	180°- 10°	180°- 10°	180°- 10°	180°- 10°	180°- 10°	180°- 10°	120°- 10°	120°- 10°
Latching closing speed	-	10°- 0°	10°- 0°	10°- 0°	10°- 0°	10°- 0°	10°- 0°	10°- 0°
Fire door certified	No	Yes	Yes	Yes	Yes	Yes	Yes	Yes



OTS140

Installation Manual



TS1000

Installation Manual



TS1500

Installation Manual



TS2000

Installation Manual



MATERIALS

- Full metal main body
- Full metal arm / rail

SURFACE COATING

- White powder coating RAL 9016
- Black powder coating RAL 9005
- Silver powder coating RAL 9006

CERTIFICATION

- Certified according to EN 1154:1996/A1:2002/AC:2006
- Durability: Grade 8 - 500.000 cycles [EN 1154:1996 + A1:2002]
- Corrosion resistance: Grade 4 - Very high [EN 1670]
- No hazardous substances [EC guidelines and REACH directive]
- Alumil 5 Year Guarantee



TS3000 / TS5000

Installation Manual



Installation Manual



CONCEALED 1 / CONCEALED 2

Installation Manual



CODES & DESCRIPTIONS

EX-4721704106 DOOR CLOSER OTS140 WITH ARM EN:2-3 (1100mm) DARK BROWN
 EX-4151704146 DOOR CLOSER OTS140 WITH ARM EN:2-3 (1100mm) SILVER
 EX-4151704102 DOOR CLOSER OTS140 WITH ARM EN:2-3 (1100mm) WHITE

EX-4721195730 DOOR CLOSER TS1000 WITH ARM EN:2-3 (950mm) BLACK
 EX-4726090009 DOOR CLOSER TS1000 WITH ARM EN:2-3 (950mm) SILVER
 EX-4726090002 DOOR CLOSER TS1000 WITH ARM EN:2-3 (950mm) WHITE
 EX-4721195743 DOOR CLOSER TS1000 WITH ARM EN:2-3 (950mm) WITH HOLD OPEN BLACK
 EX-4726090109 DOOR CLOSER TS1000 WITH ARM EN:2-3 (950mm) WITH HOLD OPEN SILVER
 EX-4726090102 DOOR CLOSER TS1000 WITH ARM EN:2-3 (950mm) WITH HOLD OPEN WHITE

EX-4721195750 DOOR CLOSER TS1500 EN:3-4 (1100mm) BLACK
 EX-4729110011 DOOR CLOSER TS1500 EN:3-4 (1100mm) SILVER
 EX-4729110002 DOOR CLOSER TS1500 EN:3-4 (1100mm) WHITE
 EX-4729210003 STANDARD ARM FOR DOOR CLOSER TS1500 BLACK
 EX-4729210011 STANDARD ARM FOR DOOR CLOSER TS1500 SILVER
 EX-4729210002 STANDARD ARM FOR DOOR CLOSER TS1500 WHITE
 EX-4721953803 LINK ARM FOR DOOR CLOSER TS1500 WITH HOLD OPEN BLACK
 EX-4727048012 LINK ARM FOR DOOR CLOSER TS1500 WITH HOLD OPEN SILVER
 EX-4727048202 LINK ARM FOR DOOR CLOSER TS1500 WITH HOLD OPEN WHITE
 EX-4722968211 MOUNTING PLATE FOR PANIC FUNCTION FOR TS1500 SILVER
 EX-4722968502 MOUNTING PLATE FOR PANIC FUNCTION FOR TS1500 WHITE

EX-4722888503 DOOR CLOSER TS2000 EN:2-5 (1250mm) BLACK
 EX-4722888511 DOOR CLOSER TS2000 EN:2-5 (1250mm) SILVER
 EX-4722888502 DOOR CLOSER TS2000 EN:2-5 (1250mm) WHITE
 EX-4724020003 STANDARD ARM FOR DOOR CLOSER TS2000 BLACK
 EX-4724020011 STANDARD ARM FOR DOOR CLOSER TS2000 SILVER
 EX-4724020002 STANDARD ARM FOR DOOR CLOSER TS2000 WHITE
 EX-4725236503 LINK ARM FOR DOOR CLOSER TS2000 WITH HOLD OPEN BLACK

EX-4720245411 LINK ARM FOR DOOR CLOSER TS2000 WITH HOLD OPEN SILVER
 EX-4720245602 LINK ARM FOR DOOR CLOSER TS2000 WITH HOLD OPEN WHITE
 EX-4725575611 MOUNTING PLATE FOR PANIC FUNCTION FOR TS2000 SILVER

EX-4723010003 DOOR CLOSER TS3000 EN:1-4 (1100mm) BLACK
 EX-4723010011 DOOR CLOSER TS3000 EN:1-4 (1100mm) SILVER
 EX-4723010002 DOOR CLOSER TS3000 EN:1-4 (1100mm) WHITE
 EX-4725010002 DOOR CLOSER TS5000 EN:2-6 (1400mm) WHITE
 EX-4725010011 DOOR CLOSER TS5000 EN:2-6 (1400mm) SILVER
 EX-4727648903 DOOR CLOSER TS5000 EN:2-6 (1400mm) BLACK
 EX-4723010193 GUIDE RAIL FOR DOOR CLOSER TS3000/TS5000 BLACK
 EX-4723010111 GUIDE RAIL FOR DOOR CLOSER TS3000/TS5000 SILVER
 EX-4723010102 GUIDE RAIL FOR DOOR CLOSER TS3000/TS5000 WHITE
 EX-4727192400 HOLD-OPEN DEVICE FOR GUIDE RAIL 20mm
 EX-4720112302 MOUNTING PLATE FOR PANIC FUNCTION FOR TS3000 WHITE
 EX-4720112309 MOUNTING PLATE FOR PANIC FUNCTION FOR TS3000 SILVER
 EX-4720112303 MOUNTING PLATE FOR PANIC FUNCTION FOR TS3000 BLACK
 EX-4724918502 MOUNTING PLATE FOR PANIC FUNCTION FOR TS5000 WHITE
 EX-4724918500 MOUNTING PLATE FOR PANIC FUNCTION FOR TS5000 SILVER
 EX-4720451503 MOUNTING PLATE FOR PANIC FUNCTION FOR TS5000 BLACK

EX-4729972800 CONCEALED DOOR CLOSER EN:2-4 (1100mm)
 EX-4709973500 CONCEALED DOOR CLOSER EN:3-6 (1400mm)
 EX-4722921300 GUIDE RAIL 12mm FOR CONCEALED DOOR CLOSER
 EX-4722914500 HOLD-OPEN FOR GUIDE RAIL 12mm FOR CONCEALED DOOR CLOSER



EX-8541156000 2-SASH GUIDE RAIL TS3000/TS5000 ELECTRIC HOLD-OPEN AND PRIORITY DEVICE
 EX-8541536020 2-SASH CLOSING PRIORITY DEVICE

DOOR STOPPERS

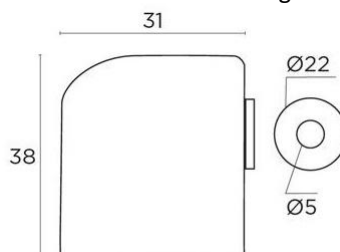
FUNCTION

An excellent solution to prevent a door from opening too wide and damage the surface behind

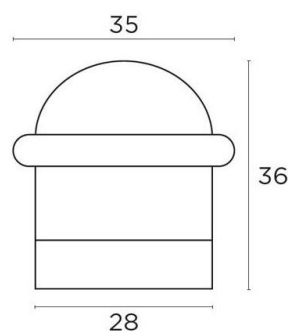
TECHNICAL FEATURES

- Should be placed before the end of the path of the door
- Available in two types with:
 - Transparent rubber, so as not to harm the door surface
 - Magnet, in order to keep the door open
- Elegant design
- Door stopper fixing screws are not visible
- Fixing screws included in the package

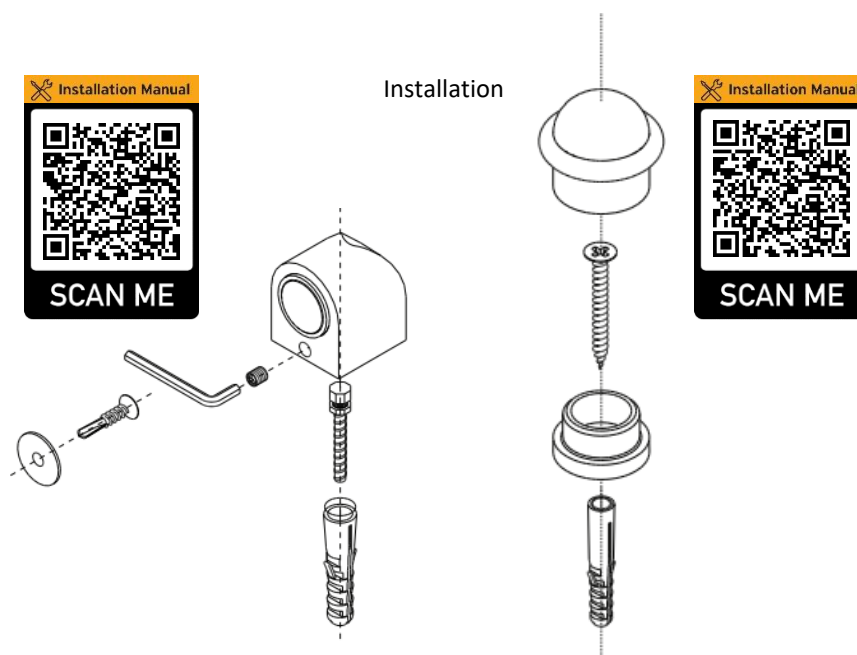
Magnetic door stopper



Door stopper with transparent rubber



Installation



MATERIALS

- Brass stopper with transparent rubber
- Zamak magnetic stopper

SURFACE COATING

- Mat nickel

CERTIFICATION

- Corrosion resistance: Grade 4 -> 240 hours salt-spray test [EN 1670]
- Alumil 5 Year Guarantee

CODES & DESCRIPTIONS

EX-4711017000	MAGNETIC DOOR STOPPER
EX-4711019000	DOOR STOPPER WITH TRANSPARENT RUBBER

SMART CYLINDER "LIBRA"

FUNCTION

An excellent solution to access main entrances via "smart" devices while offering high security

TECHNICAL FEATURES

- Compatible with Alumil MD67 and SD77 inward and outward opening typologies
- Quick and easy installation in the same way standard cylinders are installed; No milling required
- Installed in both new and existing doors
- Elegant design
- No cabling required; battery operated
- Common CR123 battery (included in the package) with life up to 2-years (20.000 openings)
- High antitheft security
- Easy software management
- Provides event log of last 1000 openings and opening attempts
- No data loss if it runs out of battery
- Quick visualization of battery status
- Active users up to 300
- Access is triggered via Bluetooth devices, such as smartphones and cards
- Allows virtual key transfer via web to allow access even from remote
- Ideal for offering access remotely in renting apartments, such as Airbnb
- Available software named "Argo" on iOS or Android
- High protection against water and dust, over IP66
- Optical and acoustic signaling
- Drilling protection

MATERIALS

- Brass body

SURFACE COATING

- Glossy black

CERTIFICATION

- Certified according to EN15684:2012
- Durability: Grade 6 -> 100.000 test cycles
- Electronic key related security: Grade F -> >1.000.000.000 electronic codes
- Attack resistance: Grade 2
- SKG certified Class 3 STER
- Alumil 5 Year Guarantee

CODES & DESCRIPTIONS

EX-4601806030	CYLINDER LIBRA HEAVY DUTY SMART 90mm 55-10-25 (60:INTERNAL/30:EXTERNAL) SD77 OPEN OUT
EX-4601803060	CYLINDER LIBRA HEAVY DUTY SMART 90mm 25-10-55 (30:INTERNAL/60:EXTERNAL) SD77 OPEN IN
EX-4601805030	CYLINDER LIBRA HEAVY DUTY SMART 80mm 45-10-25 (50:INTERNAL/30:EXTERNAL) MD67 OPEN OUT
EX-4601803050	CYLINDER LIBRA HEAVY DUTY SMART 80mm 25-10-45 (30:INTERNAL/50:EXTERNAL) MD67 OPEN IN
EX-4600015500	POWER SUPPLY FOR ROUTER "GATEWAY" FOR WIFI CYLINDER ACCESS
EX-4607552400	ROUTER "GATEWAY" FOR WIFI CYLINDER ACCESS
EX-4604053900	SET MASTER CARDS FOR LIBRA SMART CYLINDER (3 PIECES)
EX-4604053000	USER CARD FOR LIBRA SMART CYLINDER

Preview



Trigger devices



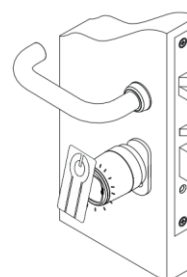
Argo App



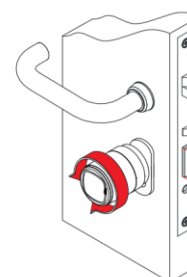
Battery installation



Triggering



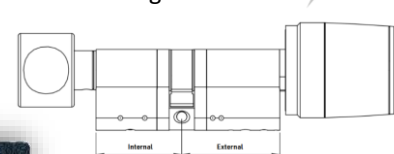
Rotating



Libra packaging



Drawing



MECHANISM OF TRICKLE VENTILATORS

NEW!
UPDATE

FUNCTION

Surface mounted noise reducing ventilators for opening and sliding systems

TECHNICAL FEATURES

- Can provide up to 44db sound reduction in open position, depending on combination
- The solution contains the ventilator (inner part) and the canopy (outer part)
- Available in a range of combinations to suit different acoustic specifications
- Suitable for use in domestic or non-domestic installations
- Ideal for retrofit applications, over an existing slot
- High performance gasket combined with compression closing action improves sealing in adverse conditions
- Can be mounted to deflect air upwards or downwards
- The Equivalent Area of air that passes through the products is 2500mm²
- For optimum performance, the ventilator should be installed on a flat surface free from defects
- Silicon should be used along all edges to achieve the desired acoustic result

Acoustic rates of combinations

Canopy	Ventilator	Open Position (db)	Closed Position (db)
EX-47050050xx	EX-47052200xx	32	52
EX-47050050xx	EX-47052210xx	35	54
EX-47050050xx	EX-47052230xx	38	55
EX-47050050xx	EX-47052250xx	40	53

Ventilator preview



Canopy preview

Exterior installation



Interior installation



MATERIALS

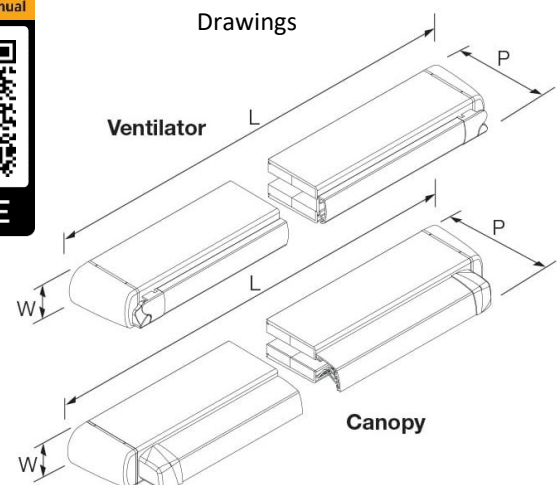
- Main body made from aluminium 6063A T6
- Component plastic parts made from POM

SURFACE COATING

- White powder coating RAL 9010 Semi-gloss
- Black powder coating RAL 9005 mat
- Special colors upon request

CERTIFICATION

- Certified according to BS EN 13141-1:2004 (airflow, air leakage and weather tightness)
- Certified according to BS EN 10140-2:2010 (sound reduction)
- Alumil 5 Year Guarantee



CODES & DESCRIPTIONS

EX-4705005002	EXTERIOR CANOPY FOR VENTILATION WHITE	EX-4705223002	INTERIOR VENTILATOR 50mm WHITE
EX-4705005003	EXTERIOR CANOPY FOR VENTILATION BLACK MATT	EX-4705223003	INTERIOR VENTILATOR 50mm BLACK MATT
EX-4705220002	INTERIOR VENTILATOR WHITE	EX-4705225002	INTERIOR VENTILATOR 75mm WHITE
EX-4705220003	INTERIOR VENTILATOR BLACK MATT	EX-4705225003	INTERIOR VENTILATOR 75mm BLACK MATT
EX-4705221002	INTERIOR VENTILATOR 25mm WHITE		
EX-4705221003	INTERIOR VENTILATOR 25mm BLACK MATT		

NEW!
 UPDATE

DOOR WIND SEALS

FUNCTION

Drop down and threshold seals for all Alumil doors. Wind seals provide sealing from wind, dust and noise

TECHNICAL FEATURES

- Perfect fit for all Alumil door systems
- Automatic drop down seals with single (Alu-plus) and double plungers (Auto-Seal)
- Graduated scissor mechanism for hinge side drop first ensures no seal dragging
- Adjustable drop pressure for perfect insulation
- Double plunger mechanism removable from hinge side after installation
- Double plunger includes closing plug, strikers
- Double plunger can be cut up to 110mm in length
- Single plunger can be cut up to 150mm in length
- Automatic drop down seals will not seal perfectly from water
- Threshold seals for floor and door
- Floor threshold seal to be installed with silicone or screws
- Well installed floor threshold seals from fire, smoke, water, wind and noise
- Threshold can be fixed after door installation
- 15mm high threshold complies with EU standards

MATERIALS

- Extruded aluminium 6060 T6 main body
- Polyamide PA 20% glass caps and actuators
- Galvanized plunger spring
- Self extinguishing TP seal for plungers and silicone seal for threshold

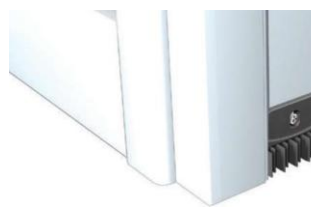
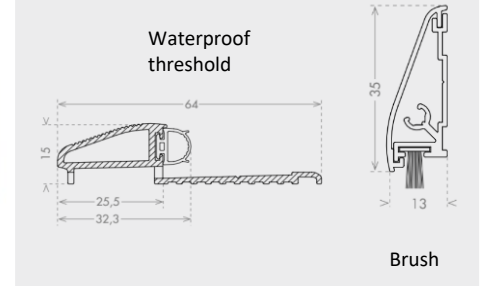
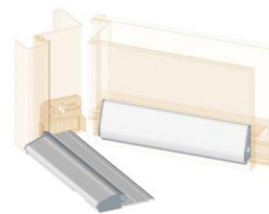
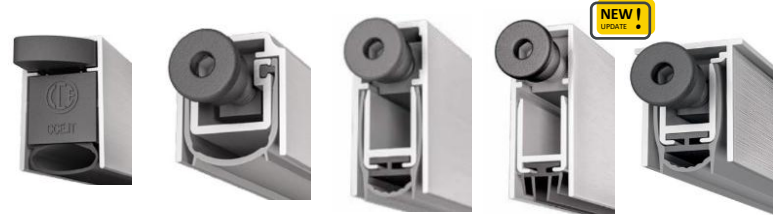
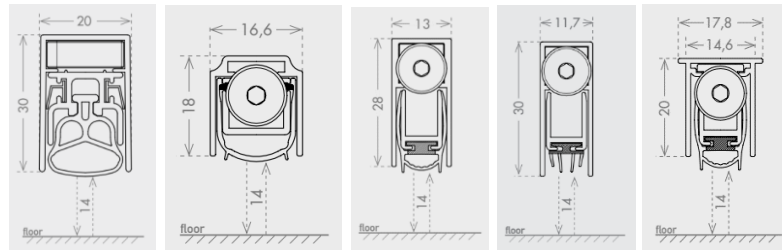
SURFACE COATING

- Aluminium mill finish for automatic drop down seals
- Silver anodized aluminium threshold
- Threshold seal and endcaps in Grey RAL 7035

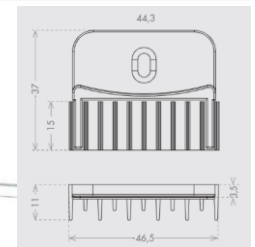
CERTIFICATION

- Acoustic sealing certification by IFT Rosenheim for automatic plungers
- Durability testing for 200.000 closing cycles
- Alumil 5 Year Guarantee

Auto-seal Alu-plus Mini-plus PVC groove Euro groove



Sealing cap



CODES & DESCRIPTIONS

EX-4710080000	AUTO-SEAL RUBBER WEATHER BARRIER L:800mm	EX-4719093000	WINDBREAK EUROGROOVE 18x20mm L:930mm
EX-4710090000	AUTO-SEAL RUBBER WEATHER BARRIER L:900mm	EX-4719103000	WINDBREAK EUROGROOVE 18x20mm L:1030mm
EX-4710100000	AUTO-SEAL RUBBER WEATHER BARRIER L:1000mm	EX-4719113000	WINDBREAK EUROGROOVE 18x20mm L:1130mm
EX-4710110000	AUTO-SEAL RUBBER WEATHER BARRIER L:1100mm	EX-4719123000	WINDBREAK EUROGROOVE 18x20mm L:1230mm
EX-4716093000	ADJUSTABLE RUBBER WINDBREAK ALU PLUS 930MM	EX-7101043000	WATERPROOF THRESHOLD ULISSE LIGHT 430MM
EX-4716103000	ADJUSTABLE RUBBER WINDBREAK ALU PLUS 1030MM	EX-7101073000	WATERPROOF THRESHOLD ULISSE LIGHT 730MM
EX-4716113000	ADJUSTABLE RUBBER WINDBREAK ALU PLUS 1130MM	EX-7101103000	WATERPROOF THRESHOLD ULISSE LIGHT 1030MM
EX-4716200000	ACTUATOR PIVOT FOR WINDBREAK ALU PLUS BLACK	EX-7101133000	WATERPROOF THRESHOLD ULISSE LIGHT 1330MM
EX-4716300000	DOUBLE PLUNGER KIT FOR WINDBREAK ALU PLUS	EX-7101163000	WATERPROOF THRESHOLD ULISSE LIGHT 1630MM
EX-4717093000	WINDBREAK MINI PLUS 13x28mm L:930mm	EX-7102043000	PENSTOCK BRUSH ULISSE LIGHT 430MM
EX-4717103000	WINDBREAK MINI PLUS 13x28mm L:1030mm	EX-7102073000	PENSTOCK BRUSH ULISSE LIGHT 730MM
EX-4717113000	WINDBREAK MINI PLUS 13x28mm L:1130mm	EX-7102103000	PENSTOCK BRUSH ULISSE LIGHT 1030MM
EX-4717123000	WINDBREAK MINI PLUS 13x28mm L:1230mm	EX-7102133000	PENSTOCK BRUSH ULISSE LIGHT 1330MM
EX-4718093000	WINDBREAK PVC GROOVE 12x30mm L:930mm	EX-7102163000	PENSTOCK BRUSH ULISSE LIGHT 1630MM
EX-4718103000	WINDBREAK PVC GROOVE 12x30mm L:1030mm	EX-7103000000	ADDITIONAL SEALING CAP FOR WINDBREAKS NO AIR BLACK
EX-4718113000	WINDBREAK PVC GROOVE 12x30mm L:1130mm		
EX-4718123000	WINDBREAK PVC GROOVE 12x30mm L:1230mm		

PANIC BAR MECHANISM STANDARD ALUMIL

FUNCTION

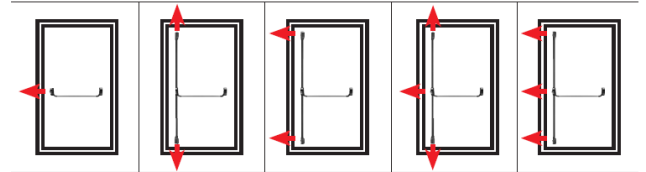
External application panic bar mechanism for single and double, standard and fire doors

TECHNICAL FEATURES

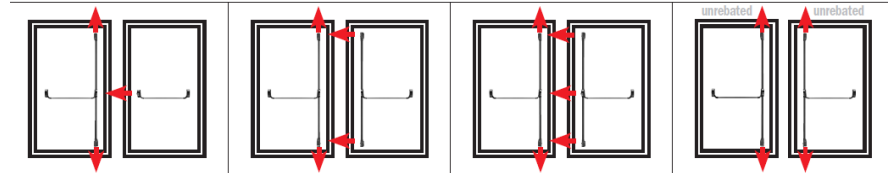
- Reversible for left and right doors
- Modular system for 1, 2 and 3 locking points
- Second sash locking top and bottom
- Easy to install after fabrication and installation of the sash
- Small sizes for minimal aesthetic impact
- External handle with lock available
- Vertical rods with covers



Application scheme for single leaf doors



Application scheme for double leaf doors



MATERIALS

- Steel bar
- Steel rods
- Steel locking points
- Steel covers

SURFACE COATING

- Black powder coating mechanism
- Silver and red bars
- Black outside handle

CERTIFICATION

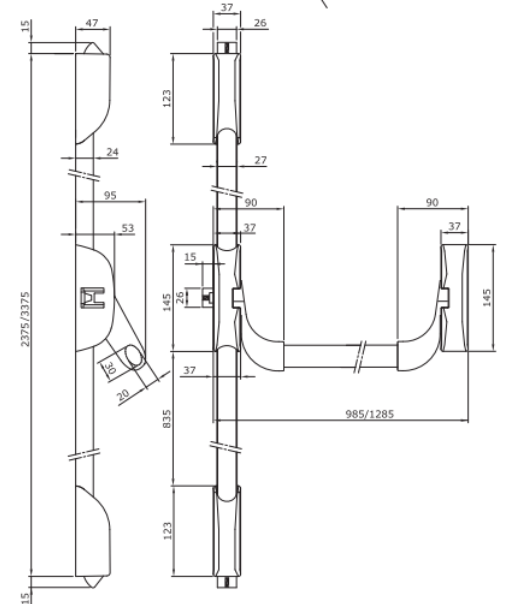
- CE certified for doors on hinges or pivots with weight over 200kg, height not higher than 2520mm and width non greater than 1320mm [EN 1125]
- Durability: Grade 7 -> 200.000 test cycles
- Corrosion resistance: Grade 4 -> 240 hours salt spray test
- Antibacterial protection
- Alumil 5 Year Guarantee

EN 1125:2008: Specifications

3 7 6 B 1 4 2 2 A A



Drawings



CODES & DESCRIPTIONS

EX-4809101000	PANIC BAR MECHANISM ALUMIL CENTRAL LOCKING FIRE RATED BLACK
EX-4809101109	STEEL BAR 1130mm FOR ALUMIL PANIC BAR MECHANISM METAL GREY
EX-4809101176	STEEL BAR 1130mm FOR ALUMIL PANIC BAR MECHANISM RED RAL 3000
EX-4809101303	PAIR VERTICAL STEEL LATCHES FOR ALUMIL PANIC BAR MECHANISM FIRE RATED BLACK
EX-4809101603	PAIR HORIZONTAL STEEL LATCHES FOR ALUMIL PANIC BAR MECHANISM FIRE RATED BLACK
EX-4809101403	CONNECTION RODS 2400mm FOR ALUMIL PANIC BAR MECHANISM BLACK
EX-4809101703	CONNECTION RODS 3400mm FOR ALUMIL PANIC BAR MECHANISM BLACK
EX-4809101503	EXTERNAL HANDLE FOR ALUMIL PANIC BAR MECHANISM FIRE RATED BLACK
EX-4809101803	ELECTRIC STRIKER 12V AC/DC FOR ALUMIL PANIC BAR MECHANISM BLACK

PANIC BAR MECHANISM CONCEALED

FUNCTION

Concealed panic exit device for standard and fire rated doors with security mortise lock

TECHNICAL FEATURES

- Reversible for left and right doors
- For single leaf doors with metal profile
- Suitable for fire rated doors
- Can be combined with external handle
- 1 or 3 locking points
- U-shape or flat forend
- Backset 35mm
- Bar, cylinder, strike plate for lock and external handle are separate codes

EN 1125:2008: Specifications

377B1321AB

MATERIALS

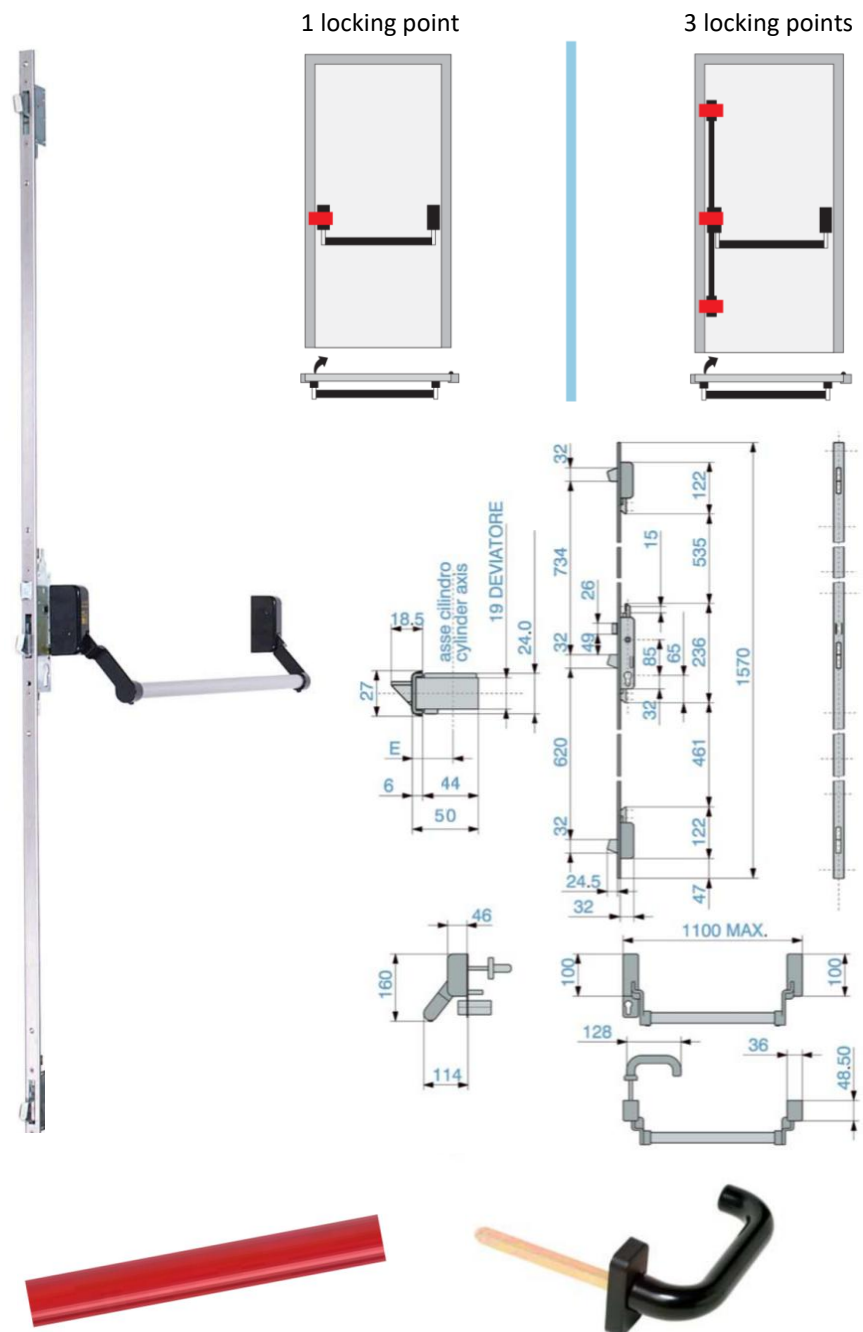
- Stainless steel U-shape and flat forend
- Varnished steel and anodized aluminum bars

SURFACE COATING

- No additional surface treatment

CERTIFICATION

- Certified according to EN 1125:2008
- Durability: Grade 7 -> 200.000 test cycles
- Door mass and closing force: Grade 7 -> 200kg & 50 N maximum closing force
- Security: Grade 2 -> 1000 N force on the leaf in opening direction
- Suitability for use on fire/smoke doors: Grade B -> Suitable for use on smoke and fire door assemblies
- Corrosion resistance: Grade 3 -> 96 hours salt spray test [EN 1670]
- Alumil 5 Year Guarantee



CODES & DESCRIPTIONS

EX-4809901000	CONCEALED PANIC BAR MECHANISM BASIC KIT 1 POINT 35MM U-SHAPE
EX-4809911000	CONCEALED PANIC BAR MECHANISM BASIC KIT 1 POINT 35MM FLAT FRONT
EX-4809913000	CONCEALED PANIC BAR MECHANISM BASIC KIT 3 POINT 35MM FLAT FRONT
EX-4801921024	BAR 1200mm FOR CONCEALED PANIC BAR MECHANISM GREY RAL 7040
EX-4801921035	BAR 1200mm FOR CONCEALED PANIC BAR MECHANISM RED RAL 3020
EX-4559501000	HANDLE OUTSIDE FOR CONCEALED PANIC BAR MECHANISM BLACK
EX-4809932000	STRIKER 1 POINT FOR CONCEALED PANIC BAR MECHANISM

OPENING SHUTTER ACCESSORIES

FUNCTION

Shutter accessories to fit Alumil opening shutter systems

TECHNICAL FEATURES

- Perfect fit for Alumil 9400 shutter systems
- Shutter hinges in all sizes to accommodate all wall thicknesses
- Shutter hinge size refers to dimension when hinge is fully open (total wall width after the frame)
- Tested for 80kg per sash, 3 hinges to be used in large openings
- Folding shutter hinges for 3 and 4 sash typologies allows for the outer sash to fold flush on top of the inner one
- Shutter wall holders to prevent shutters from closing under wind loads
- Shutter mechanisms with external or internal rods
- Internal rod mechanism works with handle cremone
- Internal rod mechanism has flat and deep keepers available
- External rod mechanism works with lever
- Shutter mechanisms with top and bottom locking points
- Rods are cut to length

MATERIALS

- Extruded aluminium main body for hinges
- Polyamide stops
- Polyamide bushings
- Galvanized pin
- Galvanized fixings

SURFACE COATING

- White powder coating RAL 9016
- Black powder coating RAL 9005
- Silver powder coating (anodic ice)
- Special colors upon request

CERTIFICATION

- Alumil 5 Year Guarantee

Geared handle & connecting rod



Zamak keeper with shims



Hinge for folding shutter



Stop for shutters



Large hinge for shutters



Kit for shutter rod accessories



Shutter rod



Deep keeper



Rod end straight



Rod end offset



CODES & DESCRIPTIONS

EX-4260187202	GEARED SHUTTER HANDLE WHITE	EX-3701005202	LARGE HINGE SHUTTERS EUROPEAN GROOVE 52mm WHITE
EX-4260187203	GEARED SHUTTER HANDLE BLACK	EX-3701005203	LARGE HINGE SHUTTERS EUROPEAN GROOVE 52mm BLACK
EX-4260187211	GEARED SHUTTER HANDLE SILVER	EX-3701009702	LARGE HINGE SHUTTERS EUROPEAN GROOVE 97mm WHITE
EX-4261889002	CONNECTING ROD AND CASING 1400mm WHITE	EX-3701009703	LARGE HINGE SHUTTERS EUROPEAN GROOVE 97mm BLACK
EX-4261889003	CONNECTING ROD AND CASING 1400mm BLACK	EX-3701014202	LARGE HINGE SHUTTERS EUROPEAN GROOVE 140mm WHITE
EX-4261889011	CONNECTING ROD AND CASING 1400mm SILVER	EX-3701014203	LARGE HINGE SHUTTERS EUROPEAN GROOVE 140mm BLACK
EX-4261889102	CONNECTING ROD AND CASING 1000mm WHITE	EX-3701018202	LARGE HINGE SHUTTERS EUROPEAN GROOVE 178mm WHITE
EX-4261889103	CONNECTING ROD AND CASING 1000mm BLACK	EX-3701018203	LARGE HINGE SHUTTERS EUROPEAN GROOVE 178mm BLACK
EX-4261889111	CONNECTING ROD AND CASING 1000mm SILVER	EX-3701022002	LARGE HINGE SHUTTERS EUROPEAN GROOVE 220mm WHITE
EX-4260189302	ZAMAK KEEPER WITH SHIMS WHITE	EX-3701022003	LARGE HINGE SHUTTERS EUROPEAN GROOVE 220mm BLACK
EX-4260189303	ZAMAK KEEPER WITH SHIMS BLACK	EX-4260814002	SHUTTER ROD 140CM WHITE
EX-4260189303	ZAMAK KEEPER WITH SHIMS SILVER	EX-4260814003	SHUTTER ROD 140CM BLACK
EX-4260802002	KIT FOR SHUTTER ROD ACCESSORIES AL800 WHITE	EX-4260824002	SHUTTER ROD 220CM WHITE
EX-4260802003	KIT FOR SHUTTER ROD ACCESSORIES AL800 BLACK	EX-4260824003	SHUTTER ROD 240CM BLACK
EX-3501010002	HINGE FOR FOLDING SHUTTER WHITE	EX-4702000002	STOP FOR SHUTTERS WHITE
EX-3501010003	HINGE FOR FOLDING SHUTTER BLACK	EX-4702000003	STOP FOR SHUTTERS BLACK
		EX-4260189500	STAINLESS STEEL DEEP KEEPER
		EX-4260189200	STAINLESS STEEL ROD END STRAIGHT
		EX-4261892000	STAINLESS STEEL ROD END OFF SET

ROTARY MOTORS FOR SHUTTERS

FUNCTION

Electric rotary motors for shutters

TECHNICAL FEATURES

VOLTAGE SUPPLY	230 Vca ± 10%
ELECTRIC CONNECTION	3 wires + earth
TORQUE	8-120 Nm
DIAMETER	40/60/70mm

MATERIALS

- Metal and plastic parts

SURFACE COATING

- No additional surface coating

CERTIFICATION

- Alumil 2 Year Guarantee (as electrical part)

MOTOR 40mm

CLASSIC



MOTOR 70mm

CLASSIC



WITH MANUAL MECH



MOTOR 60mm

CLASSIC



WITH AUTOMATION



WITH MANUAL MECH



"TT GO"



CODES & DESCRIPTIONS

EX-5130144000 MOTOR NICE 10Nm/18Kg 40mm
EX-5130144010 MOTOR NICE 10Nm/18Kg 40mm WIRELESS

EX-5135086000 MOTOR NICE 8Nm/15Kg 60mm
EX-5135086001 MOTOR NICE 8Nm/15Kg 60mm MANUAL LIMITS & OBSTACLE SENSOR
EX-5135086002 MOTOR NICE 8Nm/15Kg 60mm ELECTRONIC LIMITS & OBSTACLE SENSOR
EX-5135086011 MOTOR NICE 8Nm/15Kg 60mm AUTO LIMITS & OBSTACLE SENSOR W/L
EX-5135086012 MOTOR NICE 8Nm/15Kg 60mm ELECTRONIC LIMITS & OBSTACLE SENSOR W/L

EX-5135286000 MOTOR NICE 15Nm/28Kg 60mm
EX-5135286001 MOTOR NICE 15Nm/28Kg 60mm MANUAL LIMITS & OBSTACLE SENSOR
EX-5135286002 MOTOR NICE 15Nm/28Kg 60mm ELECTRONIC LIMITS & OBSTACLE SENSOR
EX-5135286100 MOTOR NICE 15Nm/28Kg 60mm WITH MANUAL MECHANISM
EX-5135286011 MOTOR NICE 15Nm/28Kg 60mm AUTO LIMITS & OBSTACLE SENSOR W/L
EX-5135286012 MOTOR NICE 15Nm/28Kg 60mm ELECTRONIC LIMITS & OBSTACLE SENSOR W/L

EX-5135566000 MOTOR NICE 30Nm/56Kg 60mm
EX-5135566001 MOTOR NICE 30Nm/56Kg 60mm MANUAL LIMITS & OBSTACLE SENSOR
EX-5135566002 MOTOR NICE 30Nm/56Kg 60mm ELECTRONIC LIMITS & OBSTACLE SENSOR
EX-5135566100 MOTOR NICE 30Nm/56Kg 60mm WITH MANUAL MECHANISM
EX-5135566011 MOTOR NICE 30Nm/56Kg 60mm AUTO LIMITS & OBSTACLE SENSOR W/L
EX-5135566012 MOTOR NICE 30Nm/56Kg 60mm ELECTRONIC LIMITS & OBSTACLE SENSOR W/L

EX-5135906000 MOTOR NICE 50Nm/95Kg 60mm
EX-5135906002 MOTOR NICE 50Nm/95Kg 60mm ELECTRONIC LIMITS & OBSTACLE SENSOR
EX-5135906100 MOTOR NICE 50Nm/95Kg 60mm WITH MANUAL MECHANISM
EX-5135906012 MOTOR NICE 50Nm/95Kg 60mm ELECTRONIC LIMITS & OBSTACLE SENSOR W/L

EX-5133007300 MOTOR NICE 100Nm/150Kg 70mm WITH MANUAL MECHANISM
EX-5133007210 MOTOR NICE 100Nm/150Kg 70mm ERA L NICE

EX-5133507200 MOTOR NICE 120Nm/180kg 70mm ERA L NICE
EX-5133507300 MOTOR NICE 120Nm/180kg 70mm ERA LH WITH MANUAL MECHANISM

EX-5135080000 MOTOR TT GO 8Nm 60mm
EX-7651352800 MOTOR TT GO 15Nm 60mm
EX-7651355600 MOTOR TT GO 30Nm 60mm
EX-7651359000 MOTOR TT GO 50Nm 60mm

EX-5137504000 BRACKET FOR MOTOR NICE 40mm
EX-5135116000 BRACKET FOR MOTOR NICE 60mm
EX-5135157200 BRACKET FOR MOTOR NICE 70mm
EX-5131351000 BRACKET FOR MOTOR TT GO 60mm
EX-5135326000 BRACKET FOR MOTOR NICE WITH MANUAL MECHANISM 60mm
EX-5135197000 BRACKET FOR MOTOR NICE WITH MANUAL MECHANISM 70mm

EX-5139000000 REMOTE CONTROL NICE ERGO 1 CHANNEL
EX-5139170000 REMOTE CONTROL NICE ERGO 6 CHANNEL
EX-5139180000 WALL REMOTE CONTROL NICE ERA 1 CHANNEL
EX-5139190000 WALL REMOTE CONTROL NICE ERA 6 CHANNELS
EX-5139060000 WIRELESS RECEIVER TT1N WITHOUT SWITCH
EX-5139080000 WIRELESS RECEIVER TT2N WITH SWITCH

EX-5135014000 ADAPTOR FOR MOTOR NICE 40mm
EX-5135006000 ADAPTOR FOR MOTOR NICE 60mm
EX-5135077200 ADAPTOR FOR MOTOR NICE 70mm

EX-5191990000 CONNECTOR FOR MOTOR NICE WITH MANUAL MECHANISM 7mm
EX-7650430202 HANDCRANK WITH "BELL" L1,50m WHITE
EX-7650430203 HANDCRANK WITH "BELL" L1,50m BLACK

ADJUSTABLE SLAT MECHANISM FOR SHUTTERS

FUNCTION

Mechanism of rotating slats for enhanced shading

TECHNICAL FEATURES

- Rotation with lever or knob
- Perfect fit for 25 and 35mm width grooves
- 65mm shutter slat
- 5m long mechanism to be cut at the required length
- Reducer used for bottom fixed shutter slat
- Fast and easy installation
- Robust solution

MATERIALS

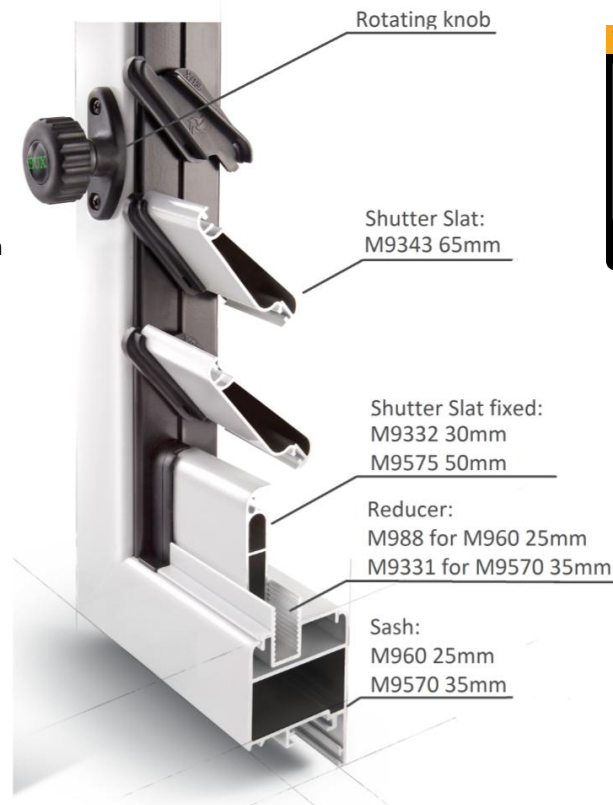
- Extruded aluminium main body
- Plastic slat fixing points
- Inox rods
- Zamak gears
- Plastic compensators

SURFACE COATING

- Black anodized main body

CERTIFICATION

- Certified according to EN 13659 EU
- ISO 9001:2008
- Alumil 5 Year Guarantee



Rotating knob for 25mm



Rotating lever for 25mm



Rotating knob for 35mm



Rotating lever for 35mm

CODES & DESCRIPTIONS

EX-4551002503	PAIR OF ADJUSTABLE SLAT MECHANISMS 5m 25mm
EX-4551022503	ROTATING KNOB FOR 25mm
EX-4551012503	ROTATING LEVER FOR 25mm
EX-4551003503	PAIR OF ADJUSTABLE SLAT MECHANISMS 5m 35mm
EX-4551023503	ROTATING KNOB FOR 35mm
EX-4551013503	ROTATING LEVER FOR 35mm

MANUAL SKYLIGHT MECHANISM

FUNCTION

Manual skylight mechanism for inwards and outwards opening windows

TECHNICAL FEATURES

- Lever mechanism
 - Opening width of 170 mm which can be adjusted
 - Easy installation: scissors and rods can be installed from the front
 - Secure casement locking due to locking integrated in scissors
 - Convenient window cleaning from inside and outside due to easy scissor disengagement
 - Inward opening bottom-hung and top-hung windows
 - Number of scissors according to leaf width
- Hopper mechanism
 - Suitable for single bottom hinged windows up to 1.5m width
 - Quick and easy installation. The conduit preparation tool is not required
 - Maximum opening 250mm; the kit is provided with already cut spent travel tube
 - The small section of the conduit allows only 50mm radius bend: it is usually possible to install the conduit on the window frame
- Crank mechanism
 - Suitable for operating skylights and domes up to 200kg weight
 - Maximum stroke 310mm
 - Complete bracket set included
 - Operation by crank handle

Lever mechanism



APPLICATION LIMITS

Number of scissors	Leaf width a (min.)	Leaf width a (max.)	Leaf height b (min.)	Leaf weight (max.)	Panel weight (max.)
1	380 mm	1200 mm			40 kg/m ²
2	1201 mm ¹	2400 mm	250 mm	80 kg	25 kg/m ²
3	2401 mm ²	3600 mm			25 kg/m ²

Hopper mechanism



Crank mechanism



MATERIALS

- Galvanized rod
- PVC coating rod

SURFACE COATING

- White RAL 9016
- Black
- Silver

CERTIFICATION

- Alumil 5 Year Guarantee

CODES & DESCRIPTIONS

EX-4251659100 GALVANIZED ROD 8mm FOR LEVER SKYLIGHT MECHANISM L=3000mm
 EX-4253037300 MANUAL STAY ARM FOR LEVER SKYLIGHT MECHANISM SILVER
 EX-4253037702 MANUAL STAY ARM FOR LEVER SKYLIGHT MECHANISM WHITE
 EX-4257450903 MANUAL STAY ARM FOR LEVER SKYLIGHT MECHANISM BLACK
 EX-4253040002 COVER PROFILE FOR LEVER SKYLIGHT MECHANISM L=3000mm WHITE
 EX-4257453903 COVER PROFILE FOR LEVER SKYLIGHT MECHANISM L=3000mm BLACK
 EX-4253039609 COVER PROFILE FOR LEVER SKYLIGHT MECHANISM L=3000mm SILVER
 EX-4253061100 HANDLE & CORNER TRANSMISSION FOR LEVER SKYLIGHT MECHANISM SILVER
 EX-4253061502 HANDLE & CORNER TRANSMISSION FOR LEVER SKYLIGHT MECHANISM WHITE
 EX-4257794503 HANDLE & CORNER TRANSMISSION FOR LEVER SKYLIGHT MECHANISM BLACK
 EX-4251087800 PLASTIC FITTINGS FOR LEVER SKYLIGHT MECHANISM

EX-4254016602 MANUAL HOPPER SKYLIGHT MECHANISM L:3000mm WHITE
 EX-4254016702 MANUAL HOPPER SKYLIGHT MECHANISM L:4500mm WHITE
 EX-4254016802 MANUAL HOPPER SKYLIGHT MECHANISM L:6000mm WHITE
 EX-4254017103 MANUAL HOPPER SKYLIGHT MECHANISM L:3000mm BLACK
 EX-4254017203 MANUAL HOPPER SKYLIGHT MECHANISM L:4500mm BLACK
 EX-4254017303 MANUAL HOPPER SKYLIGHT MECHANISM L:6000mm BLACK
 EX-4253724300 MANUAL CRANK SKYLIGHT MECHANISM 2000N 310mm STROKE
 EX-4253724400 CRANK FOR MANUAL SKYLIGHT MECHANISM L:1500mm
 EX-4254000300 CRANK FOR MANUAL SKYLIGHT MECHANISM L:3000mm

LINEAR MOTORS AC

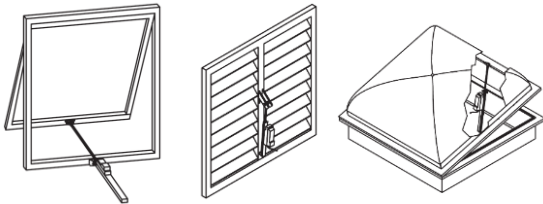
FUNCTION

Electric linear motors for multiple interior uses

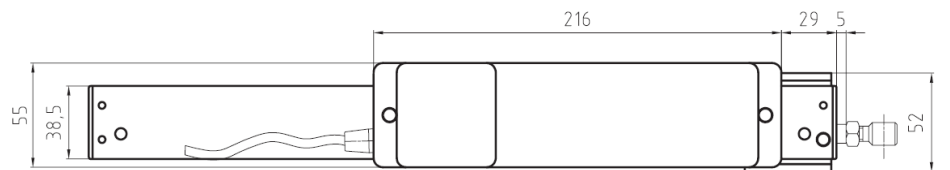
TECHNICAL FEATURES

TECHNICAL FEATURES	RACK	MAX
Voltage supply	230 Vac \pm 10%	
Electric connection	3 wires + earth	
Force in push/pull action	650 N / 350 N	450 N
Stroke	350mm	300mm
Speed	~8 mm/s	~20 mm/s
Current absorption (max load)	0.1 A	0,7 A
Parallel connection	YES	YES
Limit stop	electronic	microswitches
Safety stop	electronic	thermic
Protection class	IP 55	IP 65
Colour	Silver anodized	Silver anodized
Preview		

Typologies



Rack



Main body bracket required (extra code)

Spindle bracket included

MATERIALS

- Full metal / aluminium body
- Metal piston

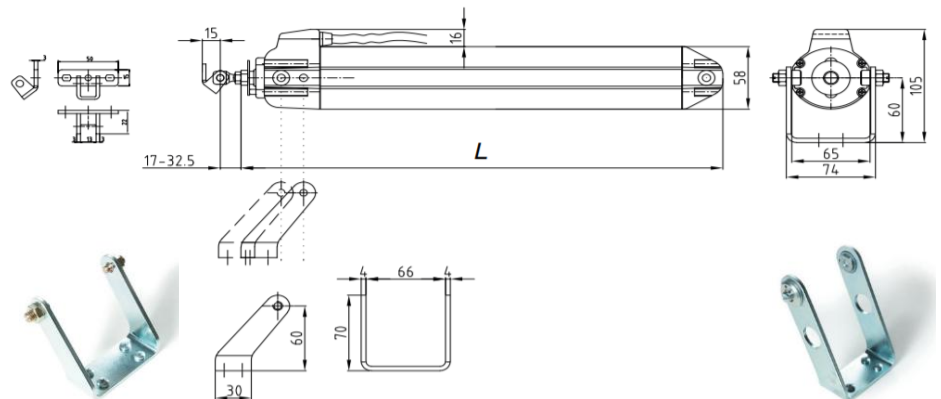
SURFACE COATING

- Silver anodized

CERTIFICATION

- Alumil 2 Year Guarantee (as electrical part)
- CE 2004/108
- CE 2006/95 (Max)

Max



Body bracket option 2
(not included)

Body bracket option 1
(included)

CODES & DESCRIPTIONS

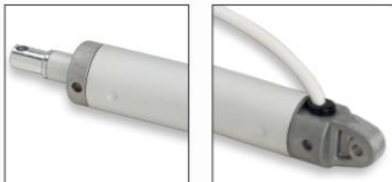
- EX-4254021100 ELECTRIC LINEAR SPINDLE ACTUATOR RACK 230V 650N IN 350N OUT 350mm STROKE
- EX-4254023400 STEEL END BRACKET MOTOR MAIN BODY
- EX-4254054100 ELECTRIC LINEAR SPINDLE ACTUATOR MAX 230V 450N 300mm STROKE SILVER
- EX-4258155900 STEEL END BRACKET FOR MOTOR MAX MAIN BODY (OPTION 2)

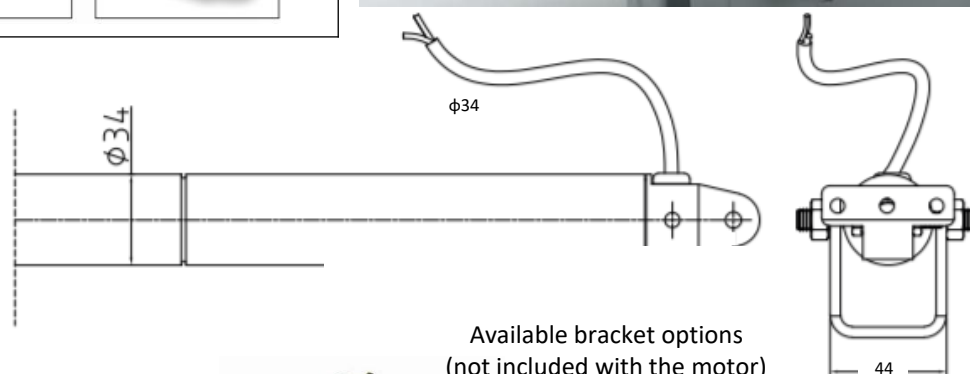
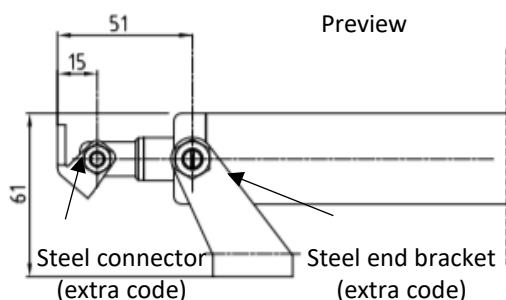
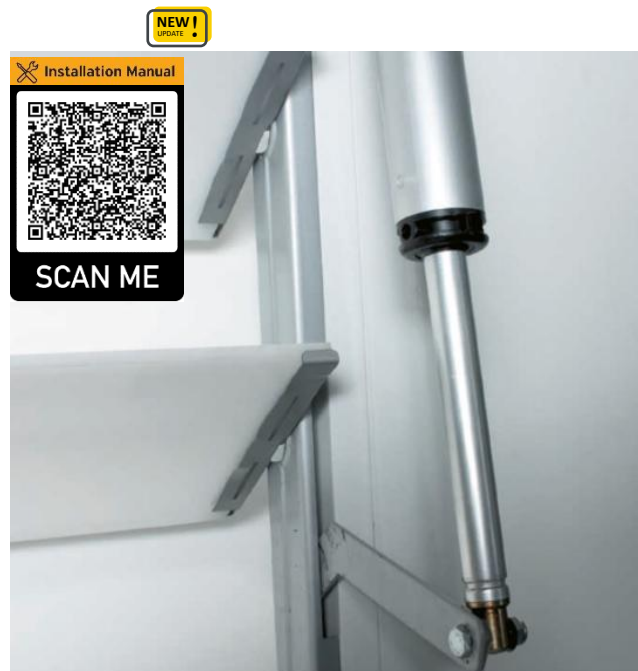
LINEAR MOTORS DC

FUNCTION

Electric linear motor for multiple interior and exterior uses

TECHNICAL FEATURES

	ULYSSES
Voltage supply	24 Vdc ± 10%
Electric connection	2 wires
Force in push/pull action	650 N
Stroke	180mm
Speed	6 mm/s
Current absorption (max load)	~ 1 A
Parallel connection	YES
Limit stop	electronic
Safety stop	electronic
Protection class	IP 65
Colour	Silver anodized
Time rating	30% (requires 70% rest time after 30% operation time)
Preview	



MATERIALS

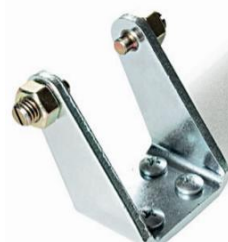
- Full metal / aluminium body
- Metal piston

SURFACE COATING

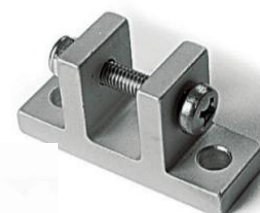
- Silver anodized

CERTIFICATION

- Alumil 2 Year Guarantee (as electrical part)
- Smoke and heat exhaust ventilators according to EN 12101-2
- Institute Giordano Approved



Steel end bracket



Low mount



Steel connector

CODES & DESCRIPTIONS

EX-4254176700 ELECTRIC LINEAR SPINDLE ACTUATOR ULYSSES 24VDC 650N 180mm STROKE OUTDOOR

EX-4254025200 STEEL CONNECTOR FOR ULYSSES MOTOR PISTON

EX-4254023400 STEEL END BRACKET FOR ULYSSES MOTOR MAIN BODY

EX-4253569700 LOW MOUNT FOR LINEAR MOTOR ULYSSES

CHAIN ACTUATORS WITH SINGLE CHAIN

FUNCTION

Electric chain actuator for opening, top-hung or bottom-hung windows in hard-to-reach interior areas for sash width under 1500mm. Synchro VEGA motor covers larger widths as it includes a synchronization board for more than one motor on the same panel, avoiding the use of external control panels: 4 Synchro Vega DC. It is also available with a special backset upon request (e.g. 150mm for curtain walls as EX-42541495xx)

TECHNICAL FEATURES	SINTESI AC	VEGA AC	VEGA DC	SYNCHRO VEGA DC
Voltage supply	230 Vac ± 10%	100 Vac – 240 Vac	24Vdc ± 10%	
Electric connection	3 wires + earth	3 wires + earth	2 wires	5 wires (3m included)
Force in push action	180 N (250mm) - 90 N (380mm)	300 N		
Force in pull action	300 N	300 N		
Stroke	250mm (always on top hung) / 380mm	300 mm		
Speed	~40 mm/s	~9 mm/s		
Current absorption (max load)	0.65 A	0,3 A - 0,15 A	0,7 A	
Parallel connection	YES	YES		
Limit stop	micro switches	electronic		
Safety stop	thermic	electronic		
Protection class	IP 20	IP 30		
Preview				

MATERIALS

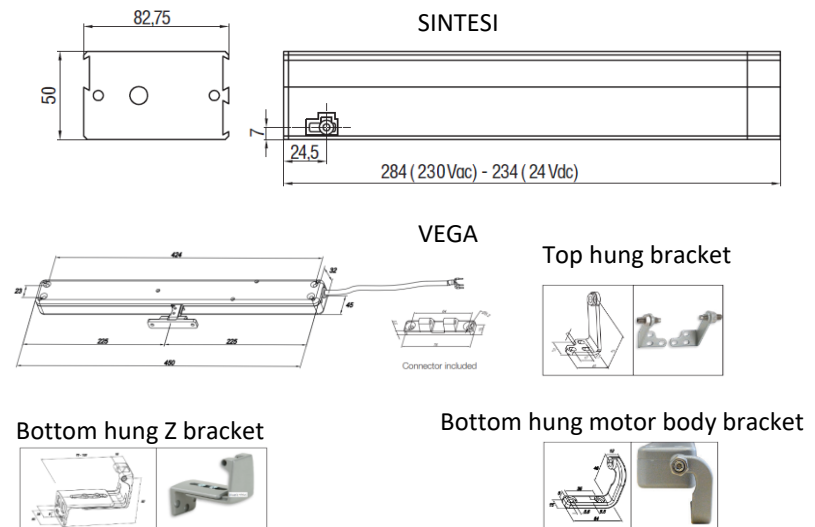
- Full metal body

SURFACE COATING

- White powder coating RAL 9010
- Black anodized or silver anodized SINTESI
- Black (RAL 9005) or silver (RAL 9006) powder coating VEGA

CERTIFICATION

- Alumil 2 Year Guarantee (as electrical part)
- 2004/108/CE (SINTESI)
- 2006/95/CE (SINTESI)
- Smoke and heat extraction UNI EN 12101-2 (VEGA DC)
- Institute Giordano Approved (VEGA DC)



CODES & DESCRIPTIONS

		<u>TOP HUNG BRACKET (OPEN OUTWARDS)</u>	<u>BOTTOM HUNG BRACKET (OPEN INWARDS)</u>
EX-4254031600	SINTESI CHAIN MOTOR 230V WHITE 9010	-	EX-4253666500
EX-4254031300	SINTESI CHAIN MOTOR 230V SILVER ANODIZED	-	EX-4253666500
EX-4254031403	SINTESI CHAIN MOTOR 230V BLACK ANODIZED	-	EX-4253666500
EX-4254108900	COUPLING CONTROL UNIT FOR MULTI SINTESI		
EX-4254090002	VEGA CHAIN MOTOR 230V WHITE 9010	EX-4254189802	EX-4254084302 & EX-4254170902
EX-4254090003	VEGA CHAIN MOTOR 230V BLACK 9005	EX-4254189803	EX-4254084303 & EX-4254170903
EX-4254090009	VEGA CHAIN MOTOR 230V SILVER 9006	EX-4254189809	EX-4254084300 & EX-4254170900
EX-4254090302	VEGA CHAIN MOTOR 24V WHITE 9010	EX-4254189802	EX-4254084302 & EX-4254170902
EX-4254090303	VEGA CHAIN MOTOR 24V BLACK 9005	EX-4254189803	EX-4254084303 & EX-4254170903
EX-4254090309	VEGA CHAIN MOTOR 24V SILVER 9006	EX-4254189809	EX-4254084300 & EX-4254170900
EX-4254112002	SYNCHRO VEGA MOTEP ΑΛΥΣΙΔΑΣ 24V ΛΕΥΚΟ	EX-4254189802	EX-4254084302 & EX-4254170902
EX-4254112003	SYNCHRO VEGA MOTEP ΑΛΥΣΙΔΑΣ 24V ΜΑΥΡΟ	EX-4254189803	EX-4254084303 & EX-4254170903
EX-4254112004	SYNCHRO VEGA MOTEP ΑΛΥΣΙΔΑΣ 24V ΑΣΗΜΙ	EX-4254189809	EX-4254084300 & EX-4254170900

CHAIN ACTUATORS "SYNCHRO"

FUNCTION

Concealed motor for S67, S77, inward opening hinged and skylights. Available extra motor for locking the multi point mechanism when the sash is closed by VEGA motor

TECHNICAL FEATURES

	NANO DC	SYNCHRO NANO DC	MOTOR FOR MULTI LOCKING
Voltage supply	24Vdc ± 15%		24Vdc ± 10%
Electric connection	Αντιστροφή πολικότητας		-
Force	400N		600N
Stroke	300mm		19 mm / 38 mm
Speed	4-14 mm/s		~1.6 mm/s
Current absorption (max load)	1,2 A		0,3 A
Parallel connection	Yes		-
Limit stop	Electronic		-
Safety stop	Electronic		-
Protection class	IP40		IP32
Time Rating	30% (requires 70% rest time after 30% operating time)		
Cable	Included (1,5m)	Extra codes	
Preview			

MATERIALS

- Full metal body
- Stainless steel chain

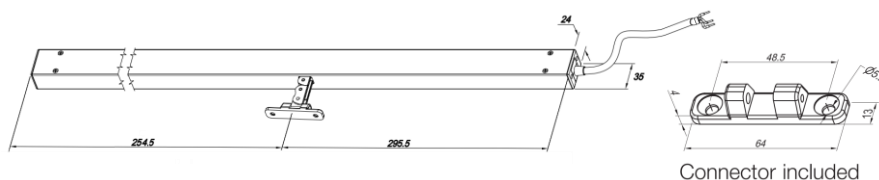
SURFACE COATING

- White powder coating RAL 9010
- Black powder coating RAL 9005
- Silver powder coating RAL 9006

CERTIFICATION

- Alumil 2 Year Guarantee (as electrical part)
- Smoke and heat extraction UNI EN 12101-2
- Institute Giordano Approved

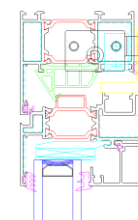
Nano / Synchro Nano drawing



Synchro Nano wiring



S67 application



CODES & DESCRIPTIONS

EX-4254194702 CONCEALED MOTOR NANO 24V 300mm WHITE
 EX-4254194703 CONCEALED MOTOR NANO 24V 300mm BLACK
 EX-4254194733 CONCEALED MOTOR NANO 24V 300mm SILVER

EX-4254194800 NANO MOTOR BODY CONNECTOR KIT
 EX-4254194900 Z-TYPE NANO CHAIN CONNECTOR KIT

EX-4254195002 CONCEALED MOTOR SYNCHRO NANO 24V 300mm WHITE
 EX-4254195003 CONCEALED MOTOR SYNCHRO NANO 24V 300mm BLACK
 EX-4254195009 CONCEALED MOTOR SYNCHRO NANO 24V 300mm SILVER

EX-4254201703 CABLE 5 CORES SYNCHRO 1.5m BLACK
 EX-4254201903 CONNECTING CABLE SYNCHRO 1m MAYPO

EX-4254158800 MOTOR FOR MULTI LOCKING HINGED WINDOWS

WIRED KITS FOR ELECTRIC MOTOR CONTROL



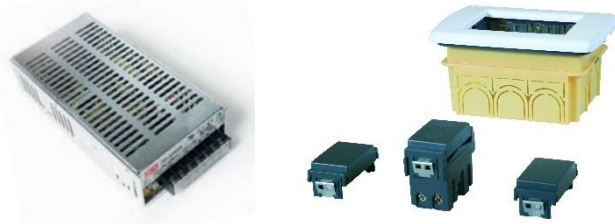
FUNCTION

The electrical equipment for rolling shutters and skylights provide remote control for all Alumil range ac & 24v dc motors

TECHNICAL FEATURES

- Available in 2 versions for ac and 24v dc motors
- Easy installation according to installation schemes
- Intended for small domestic rolling shutters and skylights
- Compact design

24V Power supply & Bipolar button



230V Switch



MATERIALS

- Plastic switch cover
- Metallic power supply cover

SURFACE COATING

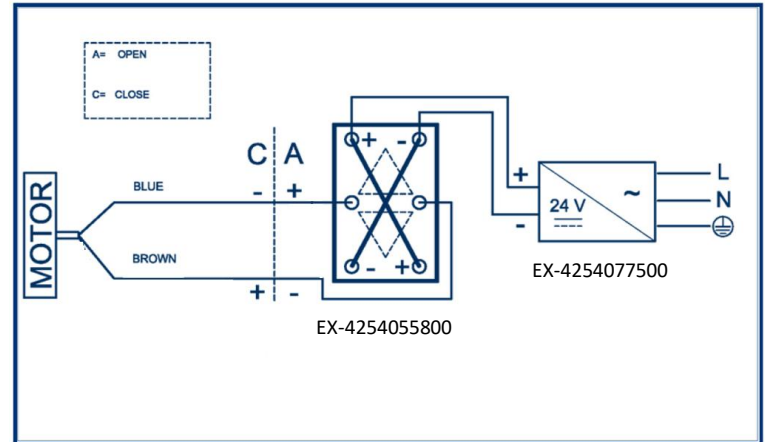
- No additional surface coating

CERTIFICATION

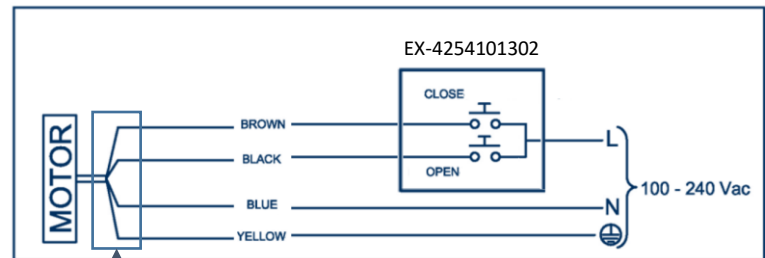
- Alumil 2 Year Guarantee

Installation schemes

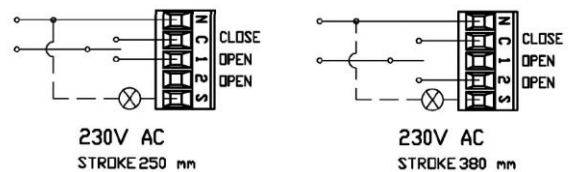
24V DC motors



230V AC motors



Connection at Chain Motors



CODES & DESCRIPTIONS

EX-4254101400	FLUSH BIPOLAR PUSH BUTTON FOR MOTORS 24V
EX-4254077500	POWER SUPPLY 24V DC, MAX 3A 199x99x50mm FOR LINEAR MOTORS ULYSSES / FORCE
EX-4254101302	DOUBLE FLUSH SWITCH FOR 230V MOTORS WHITE

WIRELESS KITS FOR ELECTRIC MOTOR CONTROL

FUNCTION

The electronic control boards for rolling shutters and skylights provide remote control for 230Vac & 24Vdc motors

TECHNICAL FEATURES

- Available in 2 versions for 230Vac and 24Vdc motors
- Easy installation according to installation schemes
- Button command input
- Intended for small domestic rolling shutters and skylights
- Compact design
- For ac version
 - Each set includes 2 Alumil logo 4-channel remotes
 - Built in 433.92 MHz receiver
 - Maximum motor power 300W
- For dc version
 - Maximum number of 12 transmitters and 3 sensors per receiver
 - Extra codes for remote control with 1 or 5 channels



Single channel remote control



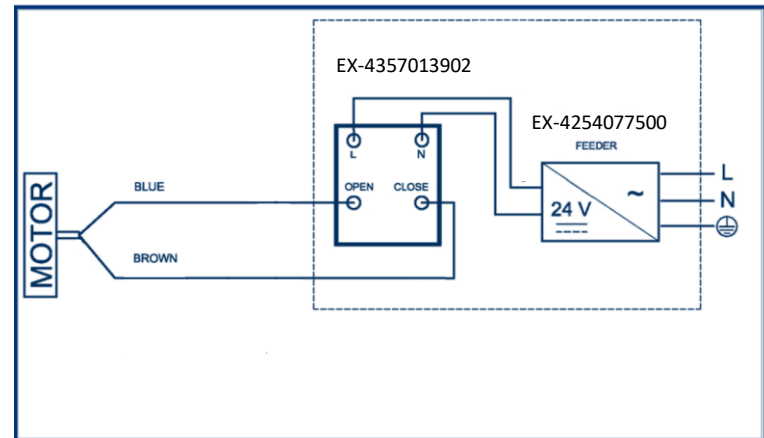
5-channel remote control



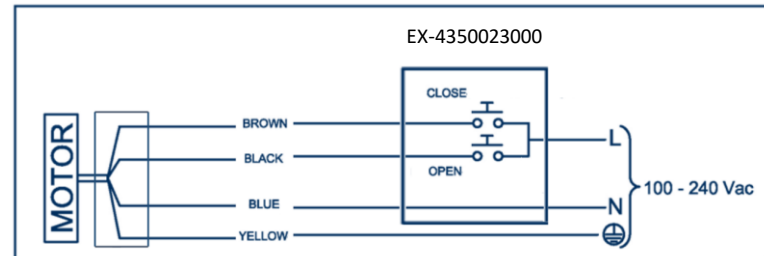
Receiver DC RTS

Installation schemes

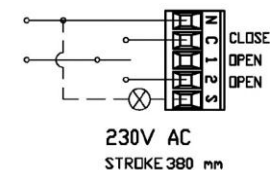
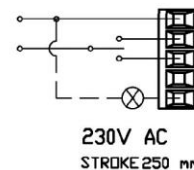
24V DC motors 24W



230V AC motors 300W



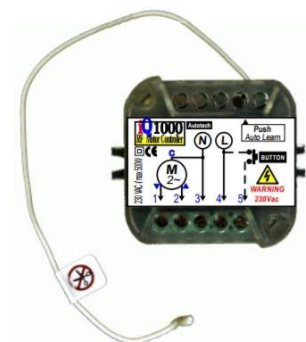
Connection at Chain Motors



Alumil Logo remote (2 pcs/kit)



230V electronic board



MATERIALS

- Plastic cover

SURFACE COATING

- No additional surface coating

CERTIFICATION

- Alumil 2 Year Guarantee

CODES & DESCRIPTIONS

EX-4350023000	WIRELESS KIT FOR MOTORS 230V AC 300W (CHIP + 2 REMOTES ALUMIL LOGO)
EX-4357013902	RECEIVER DC RTS 1,3A
EX-4357040502	SINGLE CHANNEL REMOTE CONTROL RTS
EX-4357042102	5-CHANNEL REMOTE CONTROL SITUO 5 RTS
EX-4254077500	POWER SUPPLY 24V DC, MAX 3A 199x99x50mm FOR LINEAR MOTORS ULYSSES / FORCE

ALUMIL FLAT FRAME INSULATING PROFILE

NEW!
UPDATE

FUNCTION

The flat frame insulating profile allows for water drainage and thermal insulation in flat frame installations

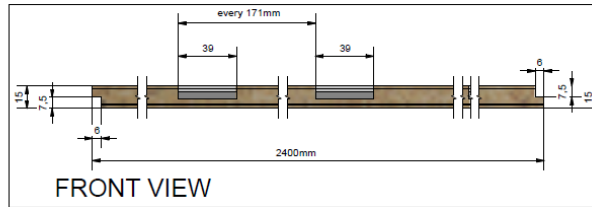
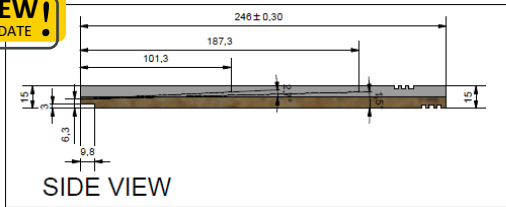
TECHNICAL FEATURES

- Does not age or rot
- Excellent resistance to chemicals
- Easy to cut without break-outs on edges
- Not flammable (b2) / drop free
- Very low thermal conductivity as low as 0.07 w/(mk)
- Especially designed for Alumil Systems with flat frames
- Can be made to order for other applications

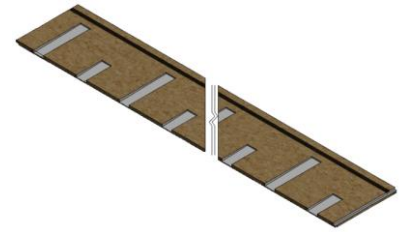


NEW!
UPDATE

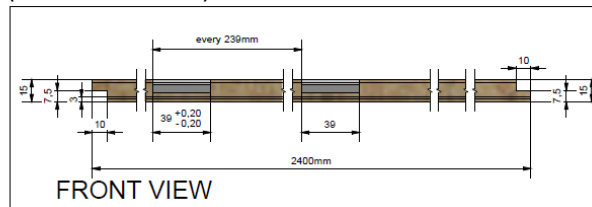
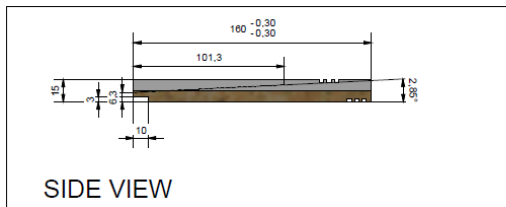
INT-6603164400 (2400x246x15mm)



PERSPECTIVE VIEW



INT-6603164600 (2400x160x15mm)



MATERIALS

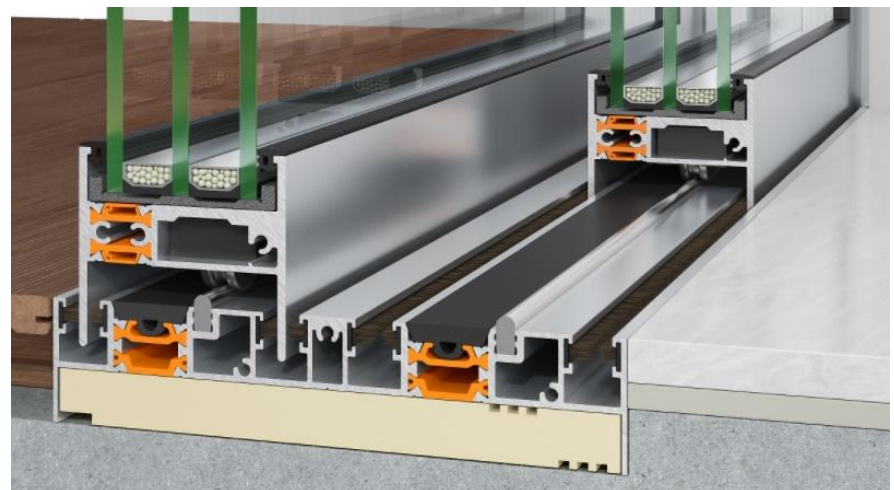
- High quality Polyurethane core
- Free of CFC/HCFC, formaldehyde

SURFACE COATING

- No additional surface coating

CERTIFICATION

- Bending Strength DIN EN 310
- Compression Strength DIN EN 826
- Screw Withdrawal DIN EN 320
- Elongation DIN 51045-1
- Water Resistance DIN EN ISO 12572, DIN 52615
- Thermal Conductivity EN 12667, DIN 52612
- Fire Behavior DIN 4102
- Fire Classification DIN EN 13501-1
- Alumil 5 Year Guarantee



CODES & DESCRIPTIONS

INT-6603164400	PHONOTHERM INSULATION PANEL FOR TRIPLE LOW FRAME DRAINAGE S650 2.4m
INT-6603164600	PHONOTHERM INSULATION PANEL FOR DUAL LOW FRAME DRAINAGE S650 2.4m
EX-3131802000	INSULATION PANEL 20x1005x2440mm

NEW!
UPDATE

ALUMIL NRG BARS

FUNCTION

NRG bar is a premium performance rigid thermoset phenolic insulation profile that improves Uf values up to 20%

TECHNICAL FEATURES

- Thermal conductivities as low as 0.020 W/mK
- Negligible smoke obscuration
- Unaffected by air infiltration
- Resistance to the passage of water vapour
- Manufactured without the use of CFCs/HCFCs
- Manufactured with a blowing agent that has zero Ozone Depleting Potential (ODP) and low Global Warming Potential (GWP)
- Easy to handle and install due to membrane
- All profiles are available in 1.2m lengths

MATERIALS

- Thermoset modified resin

SURFACE COATING

- No additional surface coating

CERTIFICATION

- BS / I.S. EN ISO 14001: 2004
- BS / I.S. EN ISO 9001: 2008
- BS / I.S. OHSAS 18001: 2007
- BS 8102: 1990
- BS 8215: 1991
- BS / I.S. EN 62305: 2006
- BS / I.S. EN 826: 1996 > 120kPa at 10% compression
- BS EN 12086:1997 / I.S. EN 12086: 1998 > 300 MNs/gm
- Alumil 5 Year Guarantee

NRG bar



Section with NRG bar inside



CODES & DESCRIPTIONS

EX-3130804400	NRG BAR 8x41x1200mm	EX-3131507300	NRG BAR 15x73x1200mm	EX-3132504200	NRG BAR 25x42x1200mm
EX-3130900500	NRG BAR 9x5x1200mm	EX-3131508600	NRG BAR 15x86x1200mm	EX-3132504800	NRG BAR 25x48x1200mm
EX-3131001100	NRG BAR 10x10x1200mm	EX-3131509200	NRG BAR 15x90x1200mm	EX-3132506000	NRG BAR 25x58x1200mm
EX-3131001700	NRG BAR 10x17x1200mm	EX-3131513100	NRG BAR 15x130x1200mm	EX-3132507400	NRG BAR 25x72x1200mm
EX-3131003100	NRG BAR 10x31x1200mm	EX-3131514100	NRG BAR 15x141x1200mm	EX-3132509100	NRG BAR 25x91x1200mm
EX-3131003800	NRG BAR 10x38x1200mm	EX-3131700600	NRG BAR 17x6x1200mm	EX-3132513100	NRG BAR 25x130x1200mm
EX-3131004800	NRG BAR 10x48x1200mm	EX-3132000600	NRG BAR 20x6x1200mm	EX-3132514100	NRG BAR 25x140x1200mm
EX-3131005700	NRG BAR 10x55x1200mm	EX-3132000800	NRG BAR 20x8x1200mm	EX-3133200700	NRG BAR 32x7x1200mm
EX-3131108800	NRG BAR 11x88x1200mm	EX-3132001000	NRG BAR 20x10x1200mm	EX-3134001000	NRG BAR 40x10x1200mm
EX-3131201200	NRG BAR 12x12x1200mm	EX-3132001500	NRG BAR 20x15x1200mm	EX-3134001400	NRG BAR 40x14x1200mm
EX-3131201000	NRG BAR 12x10x1200mm	EX-3132002000	NRG BAR 20x20x1200mm	EX-3134002000	NRG BAR 40x20x1200mm
EX-3131501000	NRG BAR 15x10x1200mm	EX-3132004500	NRG BAR 20x45x1200mm	EX-3134003000	NRG BAR 40x30x1200mm
EX-3131501200	NRG BAR 15x12x1200mm	EX-3132004800	NRG BAR 20x48x1200mm	EX-3134003700	NRG BAR 40x35x1200mm
EX-3131501400	NRG BAR 15x14x1200mm	EX-3132500500	NRG BAR 25x5x1200mm	EX-3134007300	NRG BAR 40x72x1200mm
EX-3131501800	NRG BAR 15x18x1200mm	EX-3132501000	NRG BAR 25x10x1200mm		
EX-3131502200	NRG BAR 15x22x1200mm	EX-3132501300	NRG BAR 25x13x1200mm	EX-3132301300	POLYGONIC NRG BAR 20x12,2x1200mm
EX-3131503000	NRG BAR 15x30x1200mm	EX-3132501500	NRG BAR 25x15x1200mm	EX-3132003300	POLYGONIC NRG BAR 20x33x1200mm
EX-3131503200	NRG BAR 15x32x1200mm	EX-3132501900	NRG BAR 25x19x1200mm	EX-3132003600	POLYGONIC NRG BAR 20x36x1200mm
EX-3131503600	NRG BAR 15x36x1200mm	EX-3132502100	NRG BAR 25x21x1200mm	EX-3132004300	POLYGONIC NRG BAR 20x43x1200mm
EX-3131504100	NRG BAR 15x41x1200mm	EX-3132502800	NRG BAR 25x28x1200mm		
EX-3131505000	NRG BAR 15x50x1200mm	EX-3132503100	NRG BAR 25x31x1200mm		
EX-3131506000	NRG BAR 15x60x1200mm	EX-3132503600	NRG BAR 25x36x1200mm		

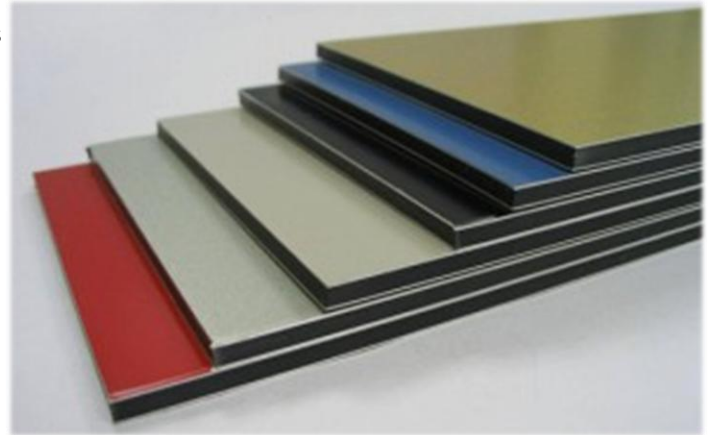
ALUMIL J-BOND ALUMINIUM COMPOSITE PANELS

FUNCTION

Aluminium composite panels for facades and various exterior and interior uses

TECHNICAL FEATURES

- Light weight and flat surface product easy to work with, to drill, cut and bend
- Provides sound insulation and it is durable in weather conditions, erosion, deterioration, pollution, fire and water
- Exceptional resistance in acids and alkaline
- Simple maintenance
- Environment friendly as a recycling material
- High quality production ensures excellent bonding and quality
- Long term sample testing from every production
- Panels covered with easy to peel protective layer
- Standard dimensions 1.25x3.2m.



MATERIALS

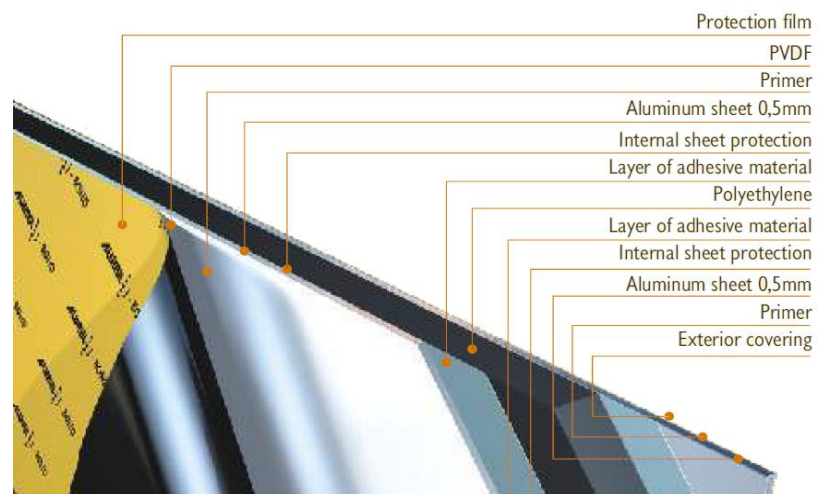
- PVdF resin paint
- 3mm polyethylene core
- 0.5mm aluminium cover on both sides

SURFACE COATING

- All PVdF resin painted colors
- Standard RAL, metallics and sublimation colors
- Pre-painted certified and guaranteed aluminium sheets

CERTIFICATION

- 10 Year color peel off Guarantee
- 10 Year bonding Guarantee
- Fully certified, top quality raw materials
- ISO 9001, ISO 14001, OHSAS 18001



CODES & DESCRIPTIONS

EX-7630125002	JBOND 4x1250x3200mm RAL9016 – WHITE
EX-7630125003	JBOND 4x1250x3200mm RAL9005 – BLACK
EX-7630125020	JBOND 4x1250x3200mm SILVER METALLIC
EX-7630125035	JBOND 4x1250x3200mm RAL3020 – RED
EX-7630125046	JBOND 4x1250x3200mm GREY METALLIC
EX-7630125048	JBOND 4x1250x3200mm SMOKEY SILVER
EX-7630125050	JBOND 4x1250x3200mm RAL7016 - GREY
EX-7630125031	JBOND 4x1250x3200mm RAL5010 - BLUE

ALUMIL POLYCARBONATE SHEETS

FUNCTION

Multi use building material for interior and exterior use

TECHNICAL FEATURES

- Available in multi-wall and solid sheets
- Available in custom dimensions to minimize excess
- 4, 6, 8, 10, 16, 20, 25mm for multi-wall
- 2, 3, 4, 5, 6, 8, 10mm for solid sheets
- Lightweight, no-brake, heat insulating, sound insulating, UV protected
- Perfect for atriums, sound barriers, kiosks, parkings
- Dust repelling, easy to clean
- Fully tested and calculated for solar heat gains
- Light transmission, shading coefficient, thermal expansion
- 2 types available (POLYbat, EuroCarb)

MATERIALS

- Polycarbonate
- UV resistant top side (indicated)
- Double UV resistant side upon request

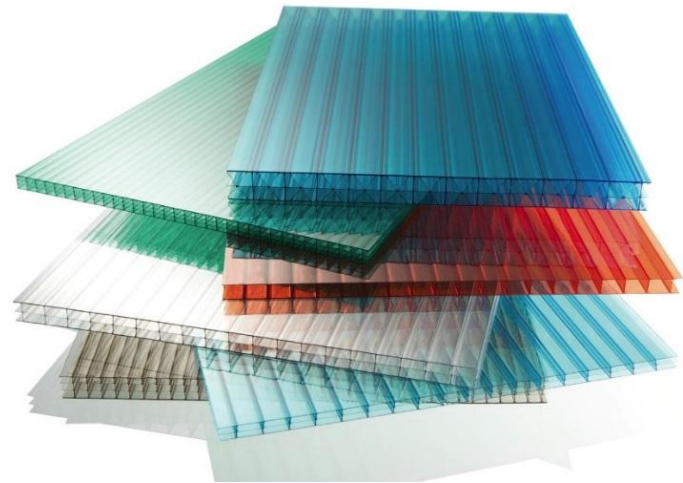
SURFACE COATING

- Color is part of the raw material
- Colors for multiwall: clear, white, green, blue, bronze
- Colors for solid: opal, clear, bronze
- Easy peel protective film on all surfaces

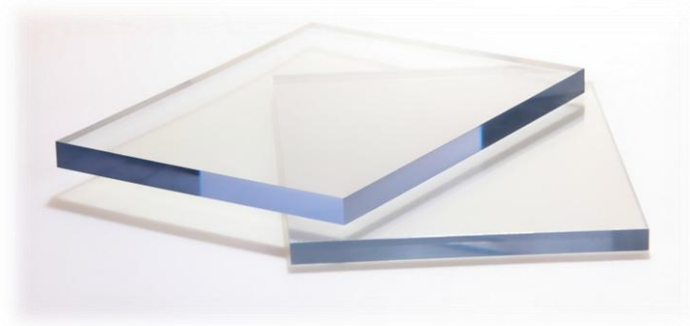
CERTIFICATION

- Class A fire reaction ASTM E-84
- Alumil 10 Year Guarantee on EuroCarb
- Alumil 5 Year Guarantee on POLYbat

EuroCarb sheets



Solid polycarbonate



Washer with gasket



CODES & DESCRIPTIONS

EX-7710262030	SOLID POLYCARBONATE SHEET 2X2050X6100 CLEAR	EX-7740420000	EUROCARB 4X6000X2100mm 2 WALL CLEAR	EX-7741651000	EUROCARB SHEET RDC 16x6000x2100mm 5 WALL CLEAR
EX-7710262031	SOLID POLYCARBONATE SHEET 2X2050X6100 OPAL	EX-7740421000	EUROCARB 4X6000X2100mm 2 WALL WHITE	EX-7741651100	EUROCARB SHEET RDC 16x6000x2100mm 5 WALL OPAL
EX-7710262032	SOLID POLYCARBONATE SHEET 2X2050X6100 BRONZE	EX-7740422000	EUROCARB 4X6000X2100mm 2 WALL BRONZE	EX-7741651200	EUROCARB SHEET RDC 16x6000x2100mm 5 WALL BRONZE
EX-7710362130	SOLID POLYCARBONATE SHEET 3X2050X6100 CLEAR	EX-7740423000	EUROCARB 4X6000X2100mm 2 WALL BLUE	EX-7741651300	EUROCARB SHEET RDC 16x6000x2100mm 5 WALL BLUE
EX-7710362131	SOLID POLYCARBONATE SHEET 3X2050X6100 OPAL	EX-7740424000	EUROCARB 4X6000X2100mm 2 WALL GREEN	EX-7741651400	EUROCARB SHEET RDC 16x6000x2100mm 5 WALL GREEN
EX-7710362132	SOLID POLYCARBONATE SHEET 3X2050X6100 BRONZE			EX-7741651500	EUROCARB SHEET RDC 16x6000x2100mm 5 WALL REFLECTING
EX-7710462230	SOLID POLYCARBONATE SHEET 4X2050X6100 CLEAR	EX-7740620000	EUROCARB 6X6000X2100mm 2 WALL CLEAR	EX-7742051000	EUROCARB SHEET RDC 20X6000X2100mm 5 WALL CRYSTAL
EX-7710462231	SOLID POLYCARBONATE SHEET 4X2050X6100 OPAL	EX-7740621000	EUROCARB 6X6000X2100mm 2 WALL WHITE	EX-7742051100	EUROCARB SHEET RDC 20X6000X2100mm 5 WALL OPAL
EX-7710462232	SOLID POLYCARBONATE SHEET 4X2050X6100 BRONZE	EX-7740622000	EUROCARB 6X6000X2100mm 2 WALL BRONZE	EX-7742051200	EUROCARB SHEET RDC 20X6000X2100mm 5 WALL BRONZE
EX-7710562030	SOLID POLYCARBONATE SHEET 5X2050X6100 CLEAR	EX-7740623000	EUROCARB 6X6000X2100mm 2 WALL BLUE	EX-7742051300	EUROCARB SHEET RDC 20X6000X2100mm 5 WALL BLUE
EX-7710562031	SOLID POLYCARBONATE SHEET 5X2050X6100 OPAL	EX-7740624000	EUROCARB 6X6000X2100mm 2 WALL GREEN	EX-7742051400	EUROCARB SHEET RDC 20X6000X2100mm 5 WALL GREEN
EX-7710562032	SOLID POLYCARBONATE SHEET 5X2050X6100 BRONZE			EX-7742051500	EUROCARB SHEET RDC 20X6000X2100mm 5 WALL REFLECTING
EX-7710662030	SOLID POLYCARBONATE SHEET 6X2050X6100 CLEAR	EX-7740830000	EUROCARB 8X6000X2100mm 3 WALL CLEAR	EX-7742551000	EUROCARB SHEET RDC 25X6000X2100mm 5 WALL CRYSTAL
EX-7710662031	SOLID POLYCARBONATE SHEET 6X2050X6100 OPAL	EX-7740831000	EUROCARB 8X6000X2100mm 3 WALL WHITE	EX-7742551100	EUROCARB SHEET RDC 25X6000X2100mm 5 WALL OPAL
EX-7710662032	SOLID POLYCARBONATE SHEET 6X2050X6100 BRONZE	EX-7740832000	EUROCARB 8X6000X2100mm 3 WALL BRONZE	EX-7742551200	EUROCARB SHEET RDC 25X6000X2100mm 5 WALL BRONZE
EX-7710862030	SOLID POLYCARBONATE SHEET 8X2050X6100 CLEAR	EX-7740833000	EUROCARB 8X6000X2100mm 3 WALL BLUE	EX-7742551300	EUROCARB SHEET RDC 25X6000X2100mm 5 WALL BLUE
EX-7710862031	SOLID POLYCARBONATE SHEET 8X2050X6100 OPAL	EX-7740834000	EUROCARB 8X6000X2100mm 3 WALL GREEN	EX-7742551400	EUROCARB SHEET RDC 25X6000X2100mm 5 WALL GREEN
EX-7710862032	SOLID POLYCARBONATE SHEET 8X2050X6100 BRONZE			EX-7742551500	EUROCARB SHEET RDC 25X6000X2100mm 5 WALL REFLECTING
EX-7711062030	SOLID POLYCARBONATE SHEET 10X2050X6100 CLEAR	EX-7741030000	EUROCARB 10X6000X2100mm 3 WALL CLEAR	EX-7710600500	WASHER WITH GASKET FOR POLYCARBONATE 6mm
EX-7711062031	SOLID POLYCARBONATE SHEET 10X2050X6100 OPAL	EX-7741031000	EUROCARB 10X6000X2100mm 3 WALL WHITE	EX-7711000500	WASHER WITH GASKET FOR POLYCARBONATE 10mm
EX-7711062032	SOLID POLYCARBONATE SHEET 10X2050X6100 BRONZE	EX-7741032000	EUROCARB 10X6000X2100mm 3 WALL BRONZE	EX-7711600500	WASHER WITH GASKET FOR POLYCARBONATE 16mm
		EX-7741033000	EUROCARB 10X6000X2100mm 3 WALL BLUE		
EX-7746208800	POLYBAT 6X6000X2100mm 2 WALL CLEAR	EX-7741034000	EUROCARB 10X6000X2100mm 3 WALL GREEN		
EX-7746218800	POLYBAT 6X6000X2100mm 2 WALL WHITE	EX-7741036000	EUROCARB 10X6000X2100mm 3 WALL REFLECTIVE		
EX-7746228800	POLYBAT 6X6000X2100mm 2 WALL BRONZE	EX-7741037000	EUROCARB 10X6000X2100mm 3 WALL GREY		
EX-7740308800	POLYBAT 10X6000X2100mm 3 WALL CLEAR				
EX-7740318800	POLYBAT 10X6000X2100mm 3 WALL WHITE				
EX-7740328800	POLYBAT 10X6000X2100mm 3 WALL BRONZE				

WOODEE

FUNCTION

WOODEE is ALUMIL's proposal for premium quality wood-composite decking, fencing and cladding applications. Truly ideal for decking and flooring constructions by swimming pools, patios and winter-gardens, balconies and terraces, piers and coastal sidewalks, applied in hotels, outdoors facilities and many more.

TECHNICAL FEATURES

DECKING available in :

- 3 profiles: DS- Deck standard /DW-Deck wide /DO-Deck overlap
- 5 textures: LINEAR/ VINTAGE/ AMAZON/ AMAZON PLUS/ FLAT PLUS

CLADDING available in :

- 1 profile
- 2 textures: VINTAGE/AMAZON

FENCING available in :

- 3 profiles: 120x11mm
- 3 textures: VINTAGE/AMAZON / FLAT PLUS

FINISHING available in :

- 1 profile: 90x16 mm
- double texture: PLAIN and AMAZON

TRANSOM available in :

- 2 profiles: 50x30mm , 50x50mm

MATERIALS

- Decking Cladding Fencing profiles
 - High quality 100% virgin HDPE (High Density Polyethylene)
 - Wood powder from sustainable forest (PEFC)
 - High UV resistance color pigments
 - No environmentally harmful substances
- Stainless steel clips including stainless steel screws

SURFACE COATING

- No additional surface coating is applied

CERTIFICATION

- 25-year warranty is applied to all products against wood-decaying factors (wood-destroying fungi, rot and insects under normal conditions).
- For all other cases, the standard 5 Year Guarrantee applies
- Manufactured deck boards comply with EN 15534-4 and 15534-1

Decking

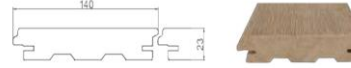
DS DECK STANDARD



DW DECK WIDE



DO DECK OVERLAP



Fencing



Clips



Textures



Colors



Certifications

Tests	Value	Standards
Flexural strength	21,7 MPa	min. 20 MPa
Shrinkage by thermal test (100°C, 60 min, longitudinal direction)	0,02%	max. 0,1%
Impact strength (resistance to impact by falling mass in cold)	0% damaged	max. 10%
Slipperiness (friction coefficient)	0,5-0,6	min. 0,3%
Swelling in water (20 days, 20°C)	1%	max. 1,5%
Swelling up after moisture resistance test by cycling	1,10%	max. 2,0%
Flexural strength after moisture resistance test by cycling	20,3 MPa	min. 17 MPa
Coefficient of Thermal Linear Expansion ASTM D696	2,88* 10 ⁻² mm/m/°C	
Reaction to fire	Dfl-s1	
Density	1210 kg/m ³	
Surface hardness (shore)	Very resistant material	
Termite resistance	No attack in the initial state and also over time	
Resistance to fungus	Very durable material, the aging tests do not affect the durability	
Dimension Tolerance	Length +/- 10 mm, Width +/- 2 mm, Thickness +/- 1 mm	



CODES & DESCRIPTIONS

DECKING

- EX-7301114001 WOODEE DECKING STANDARD LINEAR WHITE 4.0m DS-1010
- EX-7301114003 WOODEE DECKING STANDARD LINEAR TEAK 4.0m DS-1030
- EX-7301114007 WOODEE DECKING STANDARD LINEAR PALISANDER 4.0m DS-1070
- EX-7301114008 WOODEE DECKING STANDARD LINEAR EBEN 4.0m DS-1080
- EX-7301324003 WOODEE DECKING OVERLAP VINTAGE TEAK 4.0m DO-2030
- EX-7301324007 WOODEE DECKING OVERLAP VINTAGE PALISANDER 4.0m DO-2070
- EX-7301324008 WOODEE DECKING OVERLAP VINTAGE EBEN 4.0m DO-2080
- EX-7301344006 WOODEE DECKING OVERLAP AMAZON INOX 4.0m DO-4060

CLADDING

- EX-7302043103 WOODEE CLADDING AMAZON TEAK 4.0m CL-4030
- EX-7302043107 WOODEE CLADDING AMAZON PALISANDER 4.0m CL-4070
- EX-7302043109 WOODEE CLADDING AMAZON WENGE 4.0m CL-4090

FENCING

- EX-7303143603 WOODEE FENCING 120mm AMAZON TEAK 3.6m FE120-4030
- EX-7303143607 WOODEE FENCING 120mm AMAZON PALISANDER 3.6m FE120-4070
- EX-7303143708 WOODEE FENCING 120mm AMAZON EBEN 3.6m FE120-4080

FINISHING

- EX-7304906001 WOODEE FINISHING DECK 90mm 2.0m WHITE F90-10
- EX-7304906003 WOODEE FINISHING DECK 90mm 2.0m TEAK F90-30
- EX-7304906007 WOODEE FINISHING DECK 90mm 2.0m PALISANDER F90-70
- EX-7304906008 WOODEE FINISHING DECK 90mm 2.0m EBEN F90-80
- EX-7304906006 WOODEE FINISHING DECK 90mm 2.0m INOX F90-60
- EX-7304906009 WOODEE FINISHING DECK 90mm 2.0m WENGE F90-90

TRANSOM

- EX-7305534000 TRANSOM 50x30 4.0m TR-5030
- EX-7305554000 TRANSOM 50x50 4.0m TR-5050

CLIPS

- EX-7302100000 DECKING STANDARD/WIDE/OVERLAP START CLIP INOX
- EX-7302200000 DECKING STANDARD/WIDE INTERMEDIATE CLIP INOX
- EX-7303000000 DECKING OVERLAP INTERMEDIATE CLIP INOX
- EX-7305100000 CLADDING START CLIP INOX
- EX-7305200000 CLADDING INTERMEDIATE CLIP INOX

More codes available upon request and according to commercial policy

FUNCTION

WOODALUX is an innovative building material, suitable for creating decorative and shading structures for long-lasting natural upgrading of buildings & outdoors constructions. Additionally WOODALUX offers unique louvers solutions for pergolas, fencings and other structures.

All profiles can be placed vertically, horizontally or in angled position offering wall cladding and sturdy shading solutions in a more natural way.

TECHNICAL FEATURES

- Available in 8 profiles, applicable for pergolas, fencing, cladding structures as well as many customizations:
 - 24x120mm pergolas, cladding, fencing etc.
 - 25x90mm fencing etc.
 - 32x40mm cladding, FC60 fencing, etc.
 - 32x60mm cladding, FC60 fencing, etc.
 - 32x80mm cladding, FC60 fencing, etc.
 - 32x80mm FC10 fencing, etc.
 - 32x120mm pergolas, cladding, FC60 fencing etc.
 - 45x300mm building solar shading (M5600)
- Two available option for end covers (Type 1: aluminium, Type 2: woodalux)

MATERIALS

- WOODALUX consists of aluminium profiles capped with wood composite material.
- The outer layer of profiles consists of 20% wood powder and 70% HDPE (high density polyethylene) plus 10% other compounds all of which are compliant with "REACH" environmental standards.
 - The core is of hardened Aluminium-6063
 - The holder and end caps are of Aluminium-6060

SURFACE COATING

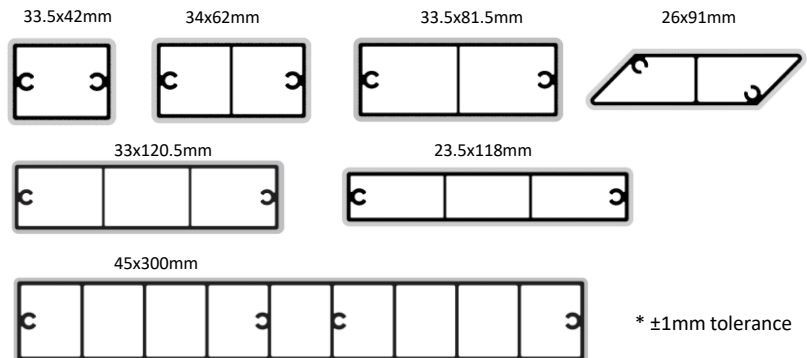
- No additional surface coating is applied
- End covers in powder coated aluminium

CERTIFICATION

- Alumil 10 Year Guarantee
- All the compounds include neither phthalates nor phosphorus flame retardants in compliance with Regulation (EC) 1907/2006 (REACH)
- Tested in:
 - Color stabilization and aging UV -> 4200 hours
 - Weathering conditions (ISO 4982-2- 1500 hr)
 - Corrosion resistance: 1008h Acetic Acid Salt Spray test
 - Peeling off under harsh conditions and resistance to wood decaying factors (DIN EN 13696:2009)
 - Concentration in heavy metals (EN 71-3:2013)



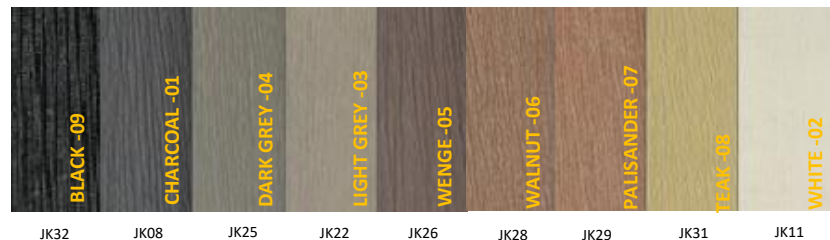
Profile dimensions



End Caps



Colors



CODES & DESCRIPTIONS

24x120mm

- EX-7322412001 WOODALUX BAR 24x120mm CHARCOAL JK08 6.0m
- EX-7322412002 WOODALUX BAR 24x120mm WHITE JK11 6.0m
- EX-7322412003 WOODALUX BAR 24x120mm LIGHT GREY JK22 6.0m
- EX-7322412004 WOODALUX BAR 24x120mm DARK GREY JK25 6.0m
- EX-7322412005 WOODALUX BAR 24x120mm WENGE JK26 6.0m
- EX-7322412006 WOODALUX BAR 24x120mm WALNUT JK28 6.0m
- EX-7322412007 WOODALUX BAR 24x120mm PALISANDER JK29 6.0m
- EX-7322412008 WOODALUX BAR 24x120mm TEAK JK31 6.0m
- EX-7322412009 WOODALUX BAR 24x120mm BLACK JK32-2 6.0m

25x90mm

- EX-7322590001 WOODALUX BAR 25x90mm CHARCOAL JK08 6.0m
- EX-7322590002 WOODALUX BAR 25x90mm WHITE JK11 6.0m
- EX-7322590003 WOODALUX BAR 25x90mm LIGHT GREY JK22 6.0m
- EX-7322590004 WOODALUX BAR 25x90mm DARK GREY JK25 6.0m
- EX-7322590005 WOODALUX BAR 25x90mm WENGE JK26 6.0m
- EX-7322590006 WOODALUX BAR 25x90mm WALNUT JK28 6.0m
- EX-7322590007 WOODALUX BAR 25x90mm PALISANDER JK29 6.0m
- EX-7322590008 WOODALUX BAR 25x90mm TEAK JK31 6.0m
- EX-7322590009 WOODALUX BAR 25x90mm BLACK JK32-2 6.0m

32x40mm

- EX-7323240001 WOODALUX BAR 32x40mm CHARCOAL JK08 6.0m
- EX-7323240002 WOODALUX BAR 32x40mm WHITE JK11 6.0m
- EX-7323240003 WOODALUX BAR 32x40mm LIGHT GREY JK22 6.0m
- EX-7323240004 WOODALUX BAR 32x40mm DARK GREY JK25 6.0m
- EX-7323240005 WOODALUX BAR 32x40mm WENGE JK26 6.0m
- EX-7323240006 WOODALUX BAR 32x40mm WALNUT JK28 6.0m
- EX-7323240007 WOODALUX BAR 32x40mm PALISANDER JK29 6.0m
- EX-7323240008 WOODALUX BAR 32x40mm TEAK JK31 6.0m
- EX-7323240009 WOODALUX BAR 32x40mm BLACK JK32-2 6.0m

32x60mm

- EX-7323260001 WOODALUX BAR 32x60mm CHARCOAL JK08 6.0m
- EX-7323260002 WOODALUX BAR 32x60mm WHITE JK11 6.0m
- EX-7323260003 WOODALUX BAR 32x60mm LIGHT GREY JK22 6.0m
- EX-7323260004 WOODALUX BAR 32x60mm DARK GREY JK25 6.0m
- EX-7323260005 WOODALUX BAR 32x60mm WENGE JK26 6.0m
- EX-7323260006 WOODALUX BAR 32x60mm WALNUT JK28 3.4m
- EX-7323260007 WOODALUX BAR 32x60mm PALISANDER JK29 6.0m
- EX-7323260008 WOODALUX BAR 32x60mm TEAK JK31 6.0m
- EX-7323260009 WOODALUX BAR 32x60mm BLACK JK32-2 6.0m

32x80mm

- EX-7323280001 WOODALUX BAR 32x80mm CHARCOAL JK08 6.0m
- EX-7323280002 WOODALUX BAR 32x80mm WHITE JK11 6.0m
- EX-7323280003 WOODALUX BAR 32x80mm LIGHT GREY JK22 6.0m
- EX-7323280004 WOODALUX BAR 32x80mm DARK GREY JK25 6.0m
- EX-7323280005 WOODALUX BAR 32x80mm WENGE JK26 6.0m
- EX-7323280006 WOODALUX BAR 32x80mm WALNUT JK28 6.0m
- EX-7323280007 WOODALUX BAR 32x80mm PALISANDER JK29 6.0m
- EX-7323280008 WOODALUX BAR 32x80mm TEAK JK31 6.0m
- EX-7323280009 WOODALUX BAR 32x80mm BLACK JK32-2 6.0m

32x80mm FC10

- EX-7323280101 WOODALUX BAR 32x80mm FC10 CHARCOAL JK08 6.0m
- EX-7323280102 WOODALUX BAR 32x80mm FC10 WHITE JK11 6.0m
- EX-7323280103 WOODALUX BAR 32x80mm FC10 LIGHT GREY JK22 6.0m
- EX-7323280104 WOODALUX BAR 32x80mm FC10 DARK GREY JK25 6.0m
- EX-7323280105 WOODALUX BAR 32x80mm FC10 WENGE JK26 6.0m
- EX-7323280106 WOODALUX BAR 32x80mm FC10 WALNUT JK28 6.0m
- EX-7323280107 WOODALUX BAR 32x80mm FC10 PALISANDER JK29 6.0m
- EX-7323280108 WOODALUX BAR 32x80mm FC10 TEAK JK31 6.0m
- EX-7323280109 WOODALUX BAR 32x80mm FC10 BLACK JK32-2 6.0m

32x120mm

- EX-7323212001 WOODALUX BAR 32x120mm CHARCOAL JK08 6.0m
- EX-7323212002 WOODALUX BAR 32x120mm WHITE JK11 6.0m
- EX-7323212003 WOODALUX BAR 32x120mm LIGHT GREY JK22 6.0m
- EX-7323212004 WOODALUX BAR 32x120mm DARK GREY JK25 6.0m
- EX-7323212005 WOODALUX BAR 32x120mm WENGE JK26 6.0m
- EX-7323212006 WOODALUX BAR 32x120mm WALNUT JK28 6.0m
- EX-7323212007 WOODALUX BAR 32x120mm PALISANDER JK29 6.0m
- EX-7323212008 WOODALUX BAR 32x120mm TEAK JK31 6.0m
- EX-7323212009 WOODALUX BAR 32x120mm BLACK JK32-2 6.0m

45x300mm

- EX-7324530001 WOODALUX BAR 45x300mm CHARCOAL JK08 6.0m
- EX-7324530002 WOODALUX BAR 45x300mm WHITE JK11 6.0m
- EX-7324530003 WOODALUX BAR 45x300mm LIGHT GREY JK22 6.0m
- EX-7324530004 WOODALUX BAR 45x300mm DARK GREY JK25 6.0m
- EX-7324530005 WOODALUX BAR 45x300mm WENGE JK26 6.0m
- EX-7324530006 WOODALUX BAR 45x300mm WALNUT JK28 6.0m
- EX-7324530007 WOODALUX BAR 45x300mm PALISANDER JK29 6.0m
- EX-7324530008 WOODALUX BAR 45x300mm TEAK JK31 6.0m
- EX-7324530009 WOODALUX BAR 45x300mm BLACK JK32-2 6.0m

END CAPS

Type 1

- EX-3105600100
- EX-3105600200
- EX-3105600300
- EX-3105600400
- EX-3105766000
- EX-3102259000
- EX-3105601000
- EX-7325601300

Type 2

- EX-3103212000 WOODALUX END CAP FOR 32x120mm
- EX-3103280000 WOODALUX END CAP FOR 32x80mm
- EX-3103260000 WOODALUX END CAP FOR 32x60mm
- EX-3103240000 WOODALUX END CAP FOR 32x40mm
- EX-3102412000 WOODALUX END CAP FOR 24x120mm
- EX-3102259000 WOODALUX END CAP PAIR FOR 25x90mm
- WOODALUX END CAP FOR 45x300mm
- WOODALUX SUBFRAME HOLDER

ALUMIL SEALANTS AND ADHESIVES (PART 1)

NEW!
UPDATE

FUNCTION

Top quality materials for complete fabrication, installation and maintenance of Alumil Systems

TECHNICAL FEATURES

- According to the application, the correct product should always be used in order to achieve high quality and long-lasting results
- All products have to be used during their shelf-life to achieve proper results
- **Acrylic putty** to be used for interior applications. Application in extreme temperatures may effect the setting time and overall appearance (cracking). Can be painted
- **Acetic silicone** is appropriate for gluing and sealing. While setting a 5% volume shrinkage will occur. It should always be applied on clean and dry surfaces. Cannot be painted
- **Neutral silicone** is ideal for aluminium construction. No smell allows indoor applications, excellent gluing and sealing properties without shrinkage while setting. Cannot be painted
- **Hybrid joint sealant** is a hybrid between acrylic putty and silicone. It is ideal for aluminum systems as it offers excellent bonding and elasticity. It does not shrink when setting. It may be used for gaps between wall and window as well as 45° cut sealing. It slightly expands for a perfect seal. Can be painted
- **Brugal**: Spray for covering aluminum surfaces in order to enhance the anticorrosion properties. Especially used at painted or anodized profiles after performing cuttings or millings
- **Silicon spray**: The solution for lubrication and maintenance of plastic parts or mechanism moving parts

MATERIALS

- Full material analysis upon request

SURFACE COATING

- Special colors upon request with MOQs

CERTIFICATION

- Please consider the due date
- Alumil 5 Year Guarantee

Alumil branded cartridges

Brugal



Pneumatic gun



CODES & DESCRIPTIONS

SHELF LIFE (MONTHS)

EX-7707130702	HYBRID JOINT SEALANT ALUMIL 280ml WHITE	12
EX-7700200105	SILICONE NEUTRAL CARTRIDGE 280ml CLEAR	12
EX-7700056902	SILICONE NEUTRAL CARTRIDGE 280ml WHITE	12
EX-7701120004	SILICONE NEUTRAL CARTRIDGE 280ml GREY	12
EX-7701120006	SILICONE NEUTRAL CARTRIDGE 280ml BROWN	12
EX-7707111400	SILICONE ACETIC NON FUGAL CARTRIDGE 280ml ALUMIL CLEAR	12
EX-7707111402	SILICONE ACETIC NON FUGAL CARTRIDGE 280ml ALUMIL WHITE	12
EX-7700000204	SILICONE ACETIC NON FUGAL CARTRIDGE 280ml ALUMIL GREY	12
EX-7700000006	SILICONE ACETIC NON FUGAL CARTRIDGE 280ml ALUMIL BROWN	12
EX-7707121102	ACRYLIC SEALANT PUTTY CARTRIDGE 280ml ALUMIL WHITE	18
EX-7707121202	ACRYLIC SEALANT PUTTY SAUSAGE 600ml WHITE	18
EX-7700141400	ACRYLIC SEALANT PUTTY FIRE RESISTANT CARTRIDGE 280ml WHITE	12
EX-7701910000	PNEUMATIC GUN 310/600ML	-
EX-7700301000	BRUGAL ALUMINIUM RUST RESISTANT PROTECTOR SPRAY 400ml	24
EX-7700000500	QUANTUM SILICONE SPRAY FOR LUBRICATION 400ml	12

NEW!
UPDATE

ALUMIL SEALANTS AND ADHESIVES (PART 2)



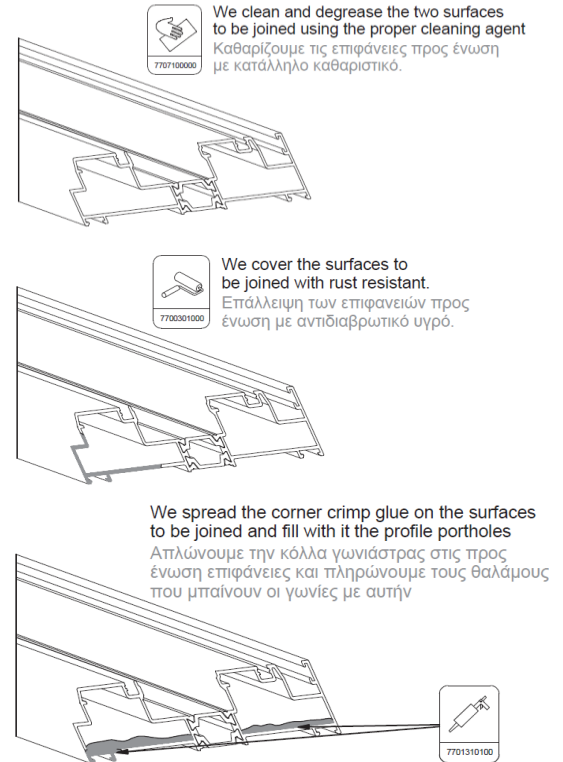
FUNCTION

Top quality materials for complete fabrication, installation and maintenance of Alumil Systems

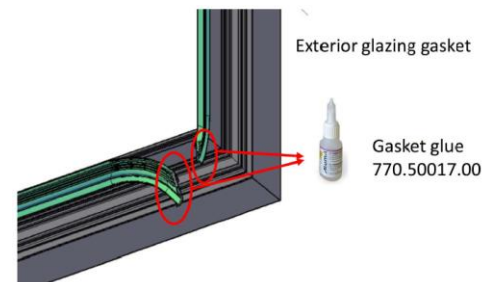
TECHNICAL FEATURES

- According to the application, the correct product should always be used in order to achieve high quality and long-lasting results
- All products have to be used during their shelf-life to achieve proper results
- **PU foam** offers good insulation and stability between the structures. Mechanical fixing should always be used, as expanding foam may interfere with the leveling of the frame. PU foam cleaning spray is available
- The **Alumil cleaning agent** is formulated in order not to corrode aluminum paint and anodizing. It may be used for joint sealant, silicone, acrylic putty and glue residues as well as cutting oils and pen markings
- **Crimp corner glue** is PU based and sets with humidity. Corners should always be sprayed with a mist of water to help the glue set. It expands slightly when setting. Corner crimp glue can also be used in other applications since it offers excellent bonding strength with limited elasticity
- All 280ml cartridges are used with standard caulking guns
- **One component adhesive-silicone** for fast setting for demanding applications, utilized when sulfur glue is used for the secondary glazing sealing. Allows quick transportation of the sashes as it drastically decreases setting time. Primer is needed for powder coated profiles
- **Cyanoacrylic adhesive**: offers quick adhesion due to polymerism. Ideal for gaskets, plastics, glasses and metallic parts
- **Weathersealing silicone**: A one-part, medium-modulus, elastomeric sealant designed for general weathersealing
- **Structural glazing sealant**: A one-part silicone sealant used for structural glazing
- **Glue for alum.-polyureth.**: 2 components in ratio 4kg (part A) / 1kg (part B)

Example of using Alumil adhesives during corner joint



Example of using cyanoacrylic adhesive for gaskets



MATERIALS

- Full material analysis upon request

SURFACE COATING

- Special colors upon request with MOQs

CERTIFICATION

- Please consider the due date
- Alumil 5 Year Guarantee

CODES & DESCRIPTIONS

EX-7701310100	CORNER CRIMP GLUE ALUMIL CARTRIDGE 310ml
EX-7701310300	CORNER CRIMP GLUE ALUMIL CARTRIDGE 1000ml
EX-7701310310	EXTRA SCREW NOZZLE FOR CORNER CRIMP GLUE ALUMIL EX-7701310300
EX-7705029000	2-COMPONENT CORNER CRIMP GLUE WHITE 900gr
EX-7704010600	EXTRA SCREW NOZZLE FOR CORNER CRIMP GLUE 2-COMPONENT EX-7705029000
EX-7701310110	CORNER CRIMP GLUE 600ml SAUSAGE
EX-7705001700	CYANOACRYLIC FAST SETTING ADHESIVE ALUMIL 20ml
INT-7700939803	1 COMPONENT FAST SETTING ADHESIVE SILICONE BLACK SAUSAGE 600ml (FOR SILICONE GLAZING)
EX-7701205000	PRIMER FOR 1 COMPONENT SILICONE DOW 776 FOR POWDER COATED PROFILES 0,5lt
EX-7702142800	LOW EXPANSION PU FOAM FOR ELASTIC JOINT INSULATION 500ml
EX-7700000100	LOW EXPANSION PU FOAM ALUMIL 750ml
EX-7700501300	POLYURETHANE FOAM FIRERATED EI180 40ml
EX-7707100001	CLEANING SRAY FOR PU FOAM 500ml
EX-7707100000	ALU CLEANER ALUMIL 1L
EX-7707916003	WEATHERSEALING SILICONE DOW 791 600ml BLACK SAUSAGE
EX-7707916000	WEATHERSEALING SILICONE DOW 791 310ml TRANSPARENT CARTRIDGE
EX-7701205000	PRIMER FOR WEATHERSEALING SILICONE DOW 791 0,5lt
EX-7708956003	STRUCTURAL GLAZING SEALANT DOW 895 BLACK 600ml
EX-7702560100	PART A OF 2 COMPONENT GLUE FOR ALUMIN.-POLYURETH. 25kg
EX-7702560101	PART B OF 2 COMPONENT GLUE FOR ALUMIN.-POLYURETH. 20kg



SHELF LIFE (MONTHS)

12
12
-
12
-
12
9
12
18
12
12
12
120 (10 years)
-
12
12
45
12

ALUMIL SYSTEM MOUNTING ACCESSORIES

FUNCTION

Top quality accessories for complete mounting, leveling, glass shimming, frame fixing and insulating of Alumil Systems

TECHNICAL FEATURES

- **Glass setting block** helps on glass shimming the frame on the structural element
- **Frame installation anchor** aims to transfer all the calculated loads to the structural element
- **Joint cord** prevents deformations and therefore the stressing of the frames by the structural elements. Polyethylene is a thermal insulating material that does not allow liquid sealants to stick on it. A hollow surface is created in the fluid sealing material when pressed on the joint cord. This results in proper bonding only between the frame and the wall. This joint will be able to operate without being cut for decades
- **Air and water sealing tapes** are flexible foils for vapor open and air- and driving rain tight sealing of connections around windows, between the frames and the wall. They are very practical in their application
- **Pre-pressed self-swelling insulation tapes** with the pressure they exert on the walls, they ensure waterproofing against liquid element but at the same time they allow the escape of water vapors under the frame. They are also heat insulating and can replace the use of polyurethane if the application allows so
- **Butyl aluminum tapes** are a very tight material with high mechanical strength. Due to this property, tapes are placed on the floor frame so that aided by the weight of the frames it achieves proper sealing

MATERIALS

- Full material analysis upon request

SURFACE COATING

- No additional surface coating

CERTIFICATION

- Alumil 5 Year Guarantee



CODES & DESCRIPTIONS

EX-2900000200	GLASS SETTING BLOCK 2 mm	EX-7703060900	JOINT CORD D10
EX-2900000300	GLASS SETTING BLOCK 3 mm	EX-7703060800	JOINT CORD D15
EX-2900000400	GLASS SETTING BLOCK 4 mm		
EX-2900000500	GLASS SETTING BLOCK 5 mm	EX-7701002000	AIR AND WATER SEALING TAPE W:100mm L:50m
EX-4700770000	FRAME INSTALLATION ANCHOR 22x140mm	EX-7703571500	PRECOMPRESSED SEALING TAPE W:35mm H:7-15mm L:4,3m
EX-4707756000	FRAME INSTALLATION ANCHOR 200x30	EX-7705410200	PRECOMPRESSED SEALING TAPE W:54mm H:10-20mm L:3,3m
EX-4701232000	FRENCH TYPE STEEL ANCHOR 100X85mm	EX-7703551000	PRECOMPRESSED SEALING TAPE W:35mm H:5-10mm L:5,6m
EX-4701233000	FRENCH TYPE STEEL ANCHOR 120X70mm		
EX-4701234000	FRENCH TYPE STEEL ANCHOR 140X70mm		
EX-4701235000	FRENCH TYPE STEEL ANCHOR 160X70mm	EX-7201999200	BUTYL ALUMINUM TAPE 100 x 0,6 mm 10m
		EX-7201999300	BUTYL ALUMINUM TAPE 200 x 0,6mm 10m
EX-7700075000	ELEVATION BUBBLE 100X160 75KG	EX-7201999500	BUTYL ALUMINUM TAPE 50 x 0,6mm 10m

ALUMIL SYSTEM SCREWS

FUNCTION

Screws for certified fabrication of Alumil systems

TECHNICAL FEATURES

- All Alumil systems are certified with Alumil screws
- A2 stainless screws do not contaminate the aluminium and are highly resistant to corrosions
- Galvanized screws are stronger and more elastic
- Self drilling screws allow for faster application, but only single layered fixing is possible
- Tapping screws require pre-drilling

MATERIALS

- A2 Stainless steel (AISI 304)
- Standard steel cold dipped galvanized

SURFACE COATING

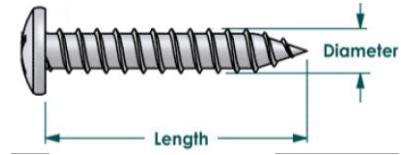
- No additional surface coating

CERTIFICATION

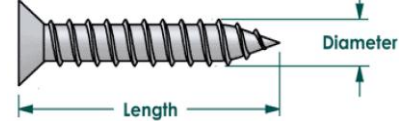
- DIN / ISO Certified
- Alumil 5 Year Guarantee



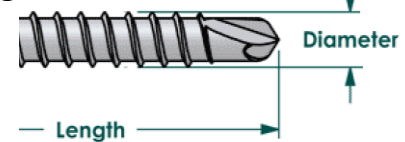
Pan Head



CSK Head



Drilling Screw



Allen Head



CODES & DESCRIPTIONS

STAINLESS STEEL A2 SCREWS

EX-7627982201	CSK A2 2,9x9,5 PH	EX-7982123525	PAN A2 3,5X25 PH
EX-7622913000	CSK A2 2,9x13 PH	EX-7982123913	PAN A2 3,9X13 PH
EX-7622919000	CSK A2 2,9x19 PH	EX-7982123919	PAN A2 3,9X19 PH
EX-7981222925	CSK A2 2,9x25 PH	EX-7982123925	PAN A2 3,9X25 PH
EX-7981223595	CSK A2 3,5x9,5 PH	EX-7982124295	PAN A2 4,2X9,5 PH
EX-7981223525	CSK A2 3,5x25 PH	EX-7982124213	PAN A2 4,2X13 PH
EX-7981223532	CSK A2 3,5x32 PH	EX-7982124216	PAN A2 4,2X16 PH
EX-7981223913	CSK A2 3,9X13 PH	EX-7982124219	PAN A2 4,2X19 PH
EX-7981223919	CSK A2 3,9X19 PH	EX-7982124225	PAN A2 4,2X25 PH
EX-7981223925	CSK A2 3,9X25 PH	EX-7982124232	PAN A2 4,2X32 PH
EX-7981224295	CSK A2 4,2X9,5 PH	EX-7982124238	PAN A2 4,2X38 PH
EX-7981224213	CSK A2 4,2X13 PH	EX-7982124250	PAN A2 4,2X50 PH
EX-7981224219	CSK A2 4,2X19 PH	EX-7982124813	PAN A2 4,8X13 PH
EX-7981224225	CSK A2 4,2X25 PH	EX-7982124816	PAN A2 4,8X16 PH
EX-7981224232	CSK A2 4,2X32 PH	EX-7982124819	PAN A2 4,8X19 PH
EX-7981224238	CSK A2 4,2X38 PH	EX-7982124825	PAN A2 4,8X25 PH
EX-7981224250	CSK A2 4,2X50 PH	EX-7982124832	PAN A2 4,8X32 PH
EX-7981224813	CSK A2 4,8X13 PH	EX-7982124838	PAN A2 4,8X38 PH
EX-7981224816	CSK A2 4,8X16 PH	EX-7982124850	PAN A2 4,8X50 PH
EX-7981224819	CSK A2 4,8X19 PH	EX-7982124860	PAN A2 4,8X60 PH
EX-7981224825	CSK A2 4,8X25 PH	EX-7982124870	PAN A2 4,8X70 PH
EX-7981224832	CSK A2 4,8X32 PH	EX-7982125513	PAN A2 5,5X13 PH
EX-7981224838	CSK A2 4,8X38 PH	EX-7982125519	PAN A2 5,5X19 PH
EX-7981224850	CSK A2 4,8X50 PH	EX-7982125525	PAN A2 5,5X25 PH
EX-7981224860	CSK A2 4,8X60 PH	EX-7982125532	PAN A2 5,5X32 PH
EX-7981224870	CSK A2 4,8X70 PH	EX-7982125538	PAN A2 5,5X38 PH
EX-7981224880	CSK A2 4,8X80 PH	EX-7982125550	PAN A2 5,5X50 PH
EX-7621551600	CSK A2 5,5X16 PH	EX-7982125560	PAN A2 5,5X60 PH
EX-7981225519	CSK A2 5,5X19 PH	EX-7982125570	PAN A2 5,5X70 PH
EX-7981225525	CSK A2 5,5X25 PH	EX-7982125580	PAN A2 5,5X80 PH
EX-7981225532	CSK A2 5,5X32 PH	EX-7982125590	PAN A2 5,5X90 PH
EX-7981225538	CSK A2 5,5X38 PH	EX-7982126332	PAN A2 6,3X32 PH
EX-7981225550	CSK A2 5,5X50 PH	EX-7982126350	PAN A2 6,3X50 PH
EX-7981225556	CSK A2 5,5X56 PH	EX-7982126390	PAN A2 6,3X90 PH
EX-7981225570	CSK A2 5,5X70 PH		
EX-7981225580	CSK A2 5,5X80 PH		
EX-7981226319	CSK A2 6,3X19 PH		
EX-7981226338	CSK A2 6,3X38 PH		
EX-7981226350	CSK A2 6,3X50 PH		

SCREWS FOR PVC

EX-7983220540	CSK GALV 5,0X40 PH for PVC
EX-7983240440	CSK GALV 4,0X40 PH for PVC
EX-7983220425	CSK GALV 4,0X25 PH for PVC
EX-7984224516	CSK GALV 4,0X16 PZ for PVC
EX-7984216540	CSK GALV 5,0X40 PZ for PVC

GALVANIZED SCREWS

EX-7983223513	CSK GALV 3,5X13 PH	EX-7984123913	PAN GALV 3,9X13 PH
EX-7983223913	CSK GALV 3,9X13 PH	EX-7984123919	PAN GALV 3,9X19 PH
EX-7983223919	CSK GALV 3,9X19 PH	EX-7984123925	PAN GALV 3,9X25 PH
EX-7983223925	CSK GALV 3,9X25 PH	EX-7984124295	PAN GALV 4,2X9,5 PH
EX-7983224295	CSK GALV 4,2X9,5 PH	EX-7984124213	PAN GALV 4,2X13 PH
EX-7983224213	CSK GALV 4,2X13 PH	EX-7984124219	PAN GALV 4,2X19 PH
EX-7983224219	CSK GALV 4,2X19 PH	EX-7984124225	PAN GALV 4,2X25 PH
EX-7983224225	CSK GALV 4,2X25 PH	EX-7984124232	PAN GALV 4,2X32 PH
EX-7983224232	CSK GALV 4,2X32 PH	EX-7984124238	PAN GALV 4,2X38 PH
EX-7983224238	CSK GALV 4,2X38 PH	EX-7984124250	PAN GALV 4,2X50 PH
EX-7983224250	CSK GALV 4,2X50 PH	EX-7984124813	PAN GALV 4,8X13 PH
EX-7983224813	CSK GALV 4,8X13 PH	EX-7984124819	PAN GALV 4,8X19 PH
EX-7983224819	CSK GALV 4,8X19 PH	EX-7984124825	PAN GALV 4,8X25 PH
EX-7983224825	CSK GALV 4,8X25 PH	EX-7984124832	PAN GALV 4,8X32 PH
EX-7983224832	CSK GALV 4,8X32 PH	EX-7984124838	PAN GALV 4,8X38 PH
EX-7983224838	CSK GALV 4,8X38 PH	EX-7984124850	PAN GALV 4,8X50 PH
EX-7983224850	CSK GALV 4,8X50 PH	EX-7984124860	PAN GALV 4,8X60 PH
EX-7983224860	CSK GALV 4,8X60 PH	EX-7984125516	PAN GALV 5,5X16 PH
EX-7983225519	CSK GALV 5,5X19 PH	EX-7984125519	PAN GALV 5,5X19 PH
EX-7983225525	CSK GALV 5,5X25 PH	EX-7984125525	PAN GALV 5,5X25 PH
EX-7983225532	CSK GALV 5,5X32 PH	EX-7984125532	PAN GALV 5,5X32 PH
EX-7983225538	CSK GALV 5,5X38 PH	EX-7984125538	PAN GALV 5,5X38 PH
EX-7983225550	CSK GALV 5,5X50 PH	EX-7984125550	PAN GALV 5,5X50 PH
EX-7983225575	CSK GALV 5,5X75 PH	EX-7984125575	PAN GALV 5,5X75 PH
EX-7983226319	CSK GALV 6,3X19 PH	EX-7984126319	PAN GALV 6,3X19 PH
EX-7983226332	CSK GALV 6,3X32 PH	EX-7984126332	PAN GALV 6,3X32 PH
EX-7983226350	CSK GALV 6,3X50 PH	EX-7984126350	PAN GALV 6,3X50 PH
EX-7983226375	CSK GALV 6,3X75 PH	EX-7984126375	PAN GALV 6,3X75 PH

SCREWS FOR HANDLES

EX-4192553000	CSK ISO7046/DIN965 GALV 5x30 PH
EX-4167683500	CSK ISO7046/DIN965 GALV 5x35 PH
EX-4167684000	CSK ISO7046/DIN965 GALV 5x40 PH
EX-4162554500	CSK ISO7046/DIN965 GALV 5x45 PH
EX-4167685000	CSK ISO7046/DIN965 GALV 5x50 PH
EX-7989220555	CSK ISO7046/DIN965 GALV 5x55 PH
EX-7625506000	CSK ISO7046/DIN965 GALV 5x60 PH
EX-7989220565	CSK ISO7046/DIN965 GALV 5x65 PH
EX-4165575100	CSK ISO7046/DIN965 GALV 5x75 PH
EX-7989220580	CSK ISO7046/DIN965 GALV 5x80 PH



DRILLING SCREWS

EX-7985223919	CSK DR GALV 3,9X19 PH
EX-7985223925	CSK DR GALV 3,9X25 PH
EX-7985223932	CSK DR GALV 3,9X32 PH
EX-7620481200	CSK DR GALV 4,2X13 PH
EX-7985224219	CSK DR GALV 4,2X19 PH
EX-7985224225	CSK DR GALV 4,2X25 PH
EX-7985224232	CSK DR GALV 4,2X32 PH
EX-7985224819	CSK DR GALV 4,8X19 PH
EX-7985224825	CSK DR GALV 4,8X25 PH
EX-7985224832	CSK DR GALV 4,8X32 PH
EX-7985225525	CSK DR GALV 5,5X25 PH
EX-7986124219	PAN DR GALV 4,2X19 PH
EX-7986224225	PAN DR GALV 4,2X25 PH
EX-7986224232	PAN DR GALV 4,2X32 PH
EX-7986124819	PAN DR GALV 4,8X19 PH
EX-7986224825	PAN DR GALV 4,8X25 PH
EX-7986224832	PAN DR GALV 4,8X32 PH
EX-7986225525	PAN DR GALV 5,5X25 PH

ALLEN SCREWS

EX-7629659001	ALLEN 5,0X90 A2
EX-7629651901	ALLEN 5,5X19 A2
EX-7629652501	ALLEN 5,5X25 A2
EX-7629653001	ALLEN 5,5X30 A2
EX-7629653501	ALLEN 5,5X35 A2
EX-7629653801	ALLEN 5,5X38 A2
EX-7629654001	ALLEN 5,5X40 A2
EX-7629654501	ALLEN 5,5X45 A2
EX-7629655001	ALLEN 5,5X50 A2
EX-7629655501	ALLEN 5,5X55 A2
EX-7629656001	ALLEN 5,5X60 A2
EX-7629656501	ALLEN 5,5X65 A2
EX-7629657001	ALLEN 5,5X70 A2
EX-7629638001	ALLEN 6,3X80 A2
EX-7629639001	ALLEN 6,3X90 A2



BULDEX & YTONG SCREWS

NEW!
UPDATE

FUNCTION

Screws for certified fabrication of Alumil systems

TECHNICAL FEATURES

- Torx Concrete Screws (Buldex)
 - Countersunk head
 - Torx socket
 - Quick fastening on materials such as concrete, cement, stone, brick etc
 - No wall plugs required
- Ytong Anchor
 - Countersunk head
 - Anchoring with locking through friction between the anchor sleeve and the base material
 - High load-bearing capacity due to expansion in four directions
- All Alumil systems are certified with Alumil screws

Torx concrete screw

NEW!
UPDATE



YTONG anchor



MATERIAL

- Standard ατσάλι γαλβανισμένο εν ψυχρώ

SURFACE COATING

- No additional surface coating

CERTIFICATION

- Certified by DIN / ISO
- Alumil 5 Year Guarantee

CODES & DESCRIPTIONS

EX-7983247562	CSK TAPPING SCREW FFS GALV 7,5x62 TORX30
EX-7983247572	CSK TAPPING SCREW FFS GALV 7,5x72 TORX30
EX-7983247582	CSK TAPPING SCREW FFS GALV 7,5x82 TORX30
EX-7983247592	CSK TAPPING SCREW FFS GALV 7,5x92 TORX30
EX-7983247510	CSK TAPPING SCREW FFS GALV 7,5x102 TORX30
EX-7983247511	CSK TAPPING SCREW FFS GALV 7,5x112 TORX30
EX-7983247512	CSK TAPPING SCREW FFS GALV 7,5x122 TORX30
EX-7983247513	CSK TAPPING SCREW FFS GALV 7,5x132 TORX30
EX-7983247515	CSK TAPPING SCREW FFS GALV 7,5x152 TORX30
EX-7983247518	CSK TAPPING SCREW FFS GALV 7,5x182 TORX30
EX-7983247520	CSK TAPPING SCREW FFS GALV 7,5x202 TORX30
EX-7983247521	CSK TAPPING SCREW FFS GALV 7,5x212 TORX30
EX-7983247525	CSK TAPPING SCREW FFS GALV 7,5x252 TORX30
EX-7698100000	STEEL FRAME ANCHOR FOR YTONG 8X100mm

NEW!
UPDATE

ALUMIL SYSTEM ANCHORS

FUNCTION

Screws for certified fabrication of Alumil systems (fencing, railing etc)

TECHNICAL FEATURES

- Anchor FH II SK
 - CSK head
 - ideally suited to fix railings, staircases, and ladders in cracked and non-cracked concrete set in the time-saving through-type installation
 - when tightening the anchor, the cone is pulled into the expansion sleeve and expands it against the hole wall
 - the black plastic ring prevents the anchor from rotating and absorbs the torque slippage
- Anchor FBS II SK / US
 - the perfect concrete screw for top installation comfort
 - The special saw tooth geometry enables fast cutting into the concrete
 - Drill hole cleaning is not required for installations in ceilings or floors
 - Torx socket
- Anchor Ytong
 - CSK head
 - Anchorage via friction locking between anchor sleeve and base material
 - High load capacity thanks to expansion in four directions
- All Alumil systems are certified with Alumil screws

Anchor FH II SK



Anchor FBS II SK



Anchor FBS II US



Anchor for YTONG



MATERIALS

- Galvanized steel

SURFACE COATING

- No additional surface coating

CERTIFICATION

- FH II SK
 - ETA-07/0025
 - DoP No. 0197
- FBS II SK-US
 - ETA-15/0352
 - ETA-20/0134
 - DoP No. 0185
 - DoP No. 0227
 - DoP No. 0311
- Alumil 5 Year Guarantee

CODES & DESCRIPTIONS

EX-8305031300	HEAVY LOAD ANCHOR FH II 10/25 SK 10x80mm
EX-8304491700	HEAVY LOAD ANCHOR FH II 12/15 SK 12x95mm
EX-8304491900	HEAVY LOAD ANCHOR FH II 12/50 SK 12x130mm
EX-8303688800	ANCHOR CSK FBS II (DRILLING 10/130) 65/55/35 SK GALV 10X120mm
EX-8305368600	ANCHOR PAN FBS II (DRILLING 10/130) 65/55/35 US GALV 10X120mm
EX-7698100000	ANCHOR FOR YTONG 8X100mm

CORNER CONNECTORS DIE CAST

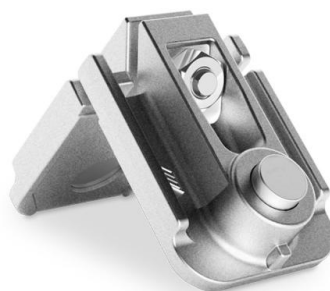
FUNCTION

Corner cleats for certified fabrication of Alumil systems

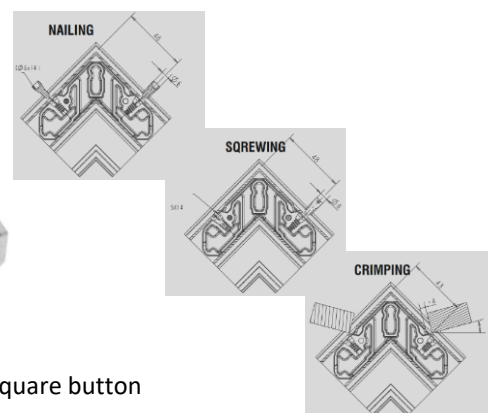
TECHNICAL FEATURES

- 3 versions available
- **Corner connector with circular button:**
 - Corner joint with outward spring-loaded buttons
- **Split corner cleat:**
 - Multifunction die-cast aluminum corner joint for screwing, pinning or crimping
 - Philips (Standard Cross) Head on all screws
 - It has also specific tracks for glue running in order to allow perfect sealing and to give the joint greater resistance, preventing pointlessly wasted glue
- **Corner cleat with rectangular buttons:**
 - Threaded corner joint with spring-loaded anchoring buttons facing outwards and tightening screw
- All Alumil systems are certified with Alumil corner cleats

Corner connector die cast with circular button



Split corner connector die cast



Corner connector die cast with square button



MATERIALS

- Die cast aluminium

SURFACE COATING

- No additional surface coating

CERTIFICATION

- Alumil 5 Year Guarantee

CODES & DESCRIPTIONS

EX-1402327000	CORNER CONNECTOR DIE CAST 22,5x26,2mm	EX-1405853000	CORNER CLEAT DIE CAST SPLIT 23x10,8mm
EX-1401126000	CORNER CONNECTOR DIE CAST 10,6x26,2mm	EX-1405828000	CORNER CLEAT DIE CAST SPLIT 13,2x19,8mm
EX-1401123000	CORNER CONNECTOR DIE CAST 10,6x23,9mm	EX-1405852000	CORNER CLEAT DIE CAST SPLIT 13x10,8mm
EX-1402032400	CORNER CONNECTOR DIE CAST FOR M14611 PROFILE	EX-1405854000	CORNER CLEAT DIE CAST SPLIT 33x10,8mm
EX-1401127000	CORNER CONNECTOR DIE CAST 10,6x34,3mm	EX-1405829000	CORNER CLEAT DIE CAST SPLIT 23,2x19,8mm
EX-1401429000	CORNER CONNECTOR DIE CAST 14,3x36,5mm	EX-1405831000	CORNER CLEAT DIE CAST SPLIT 13x27mm
EX-1403826600	CORNER CONNECTOR DIE CAST 38x26,2mm	EX-1405832000	CORNER CLEAT DIE CAST SPLIT 20x26,2mm
EX-1401436000	CORNER CONNECTOR DIE CAST 10,5x41,4mm	EX-1405830000	CORNER CLEAT DIE CAST SPLIT 33,2x19,8mm
EX-1401336000	CORNER CONNECTOR DIE CAST 15,3x36,5mm	EX-1453346400	CORNER CLEAT DIE CAST SPLIT 33,2x46,8mm
EX-1400415600	CORNER CONNECTOR DIE CAST 42,7x26,7mm	EX-1453627000	CORNER CLEAT DIE CAST SPLIT 35,8x26,4mm
EX-1403613900	CORNER CONNECTOR DIE CAST 38,9x27mm	EX-4705146000	STEEL SCREW 5x14 FOR SPLIT DIE CAST CORNERS
EX-1401423000	CORNER CONNECTOR DIE CAST 15,1x29,1mm	EX-4700087000	PIN FOR SPLIT DIE CAST CORNERS
EX-1401714300	CORNER CONNECTOR DIE CAST 16,8x14,3mm		
EX-1400736300	CORNER CONNECTOR DIE CAST 31,3x57,3MM	EX-1401142000	CORNER CONNECTOR DIE CAST WITH RECTANG. BUTTON 14,2x41mm
EX-1400736400	CORNER CONNECTOR DIE CAST 30,9x29,2MM	EX-1402342000	CORNER CONNECTOR DIE CAST WITH RECTANG. BUTTON 22,5x41,2mm
EX-1400040600	CORNER CONNECTOR DIE CAST 14,2x26,3mm	EX-1403842000	CORNER CONNECTOR DIE CAST WITH RECTANG. BUTTON 38x41,4mm
EX-1400736500	CORNER CONNECTOR DIE CAST 9,2x29,2MM		
EX-1401833000	CORNER CONNECTOR DIE CAST 18x32,4mm		
EX-1400736600	CORNER CONNECTOR DIE CAST 23x57,3MM		
EX-1401725300	CORNER CONNECTOR DIE CAST 25,3x17,2mm		
EX-1401446000	CORNER CONNECTOR DIE CAST 23x26,8mm		
EX-1401416800	CORNER CONNECTOR DIE CAST 14,3x16,8mm		

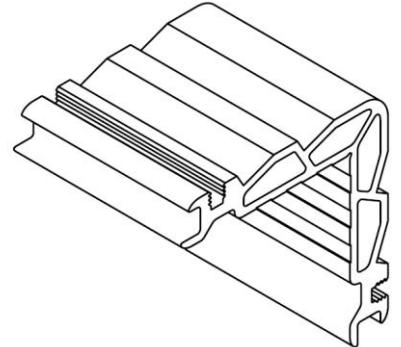
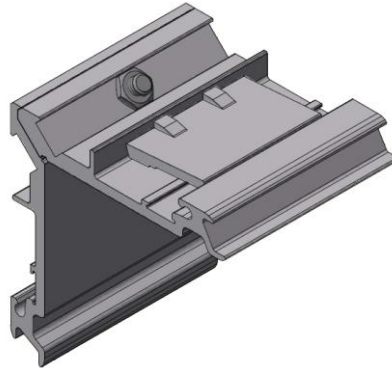
ALUMIL SYSTEM ALUMINIUM ACCESSORIES

FUNCTION

Aluminium Accessories by Alumil for complete, tested and certified systems

TECHNICAL FEATURES

- Cut accessories +/-0.5mm based on DIN7168
- Fully automated CNC machining
- Custom packaging



MATERIALS

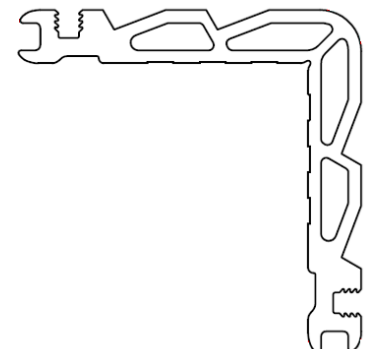
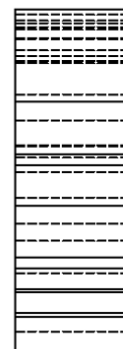
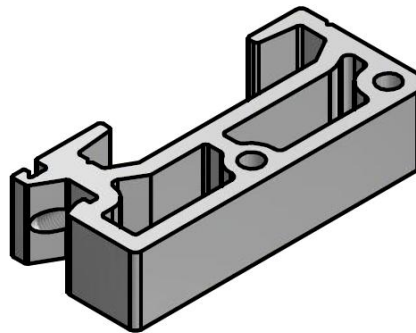
- Fully certified raw material based on EN 573-03
- Fully certified profiles based on EN 755-02
- Hardness measuring and tension measuring based on EN 10002-1
- Variety of alloys according to accessory use

SURFACE COATING

- Powder coated accessories ISO tested for paint thickness, shine, coloring, and paint application
- Powder coated accessories ISO tested for cupping, bending and impact
- Powder coated accessories ISO tested for acid salt spray, accelerated weather and QUV
- Anodized accessories ISO tested for anodization thickness, sealing and shine

CERTIFICATION

- Qualicoat
- Qualanod
- GSB Master
- Production based on ISO 9001:2008
- Production based on ISO 14001:2004
- Individual accessory design and certification upon request
- Alumil 5 Year Guarantee



CODES & DESCRIPTIONS

Codes to be specified upon request

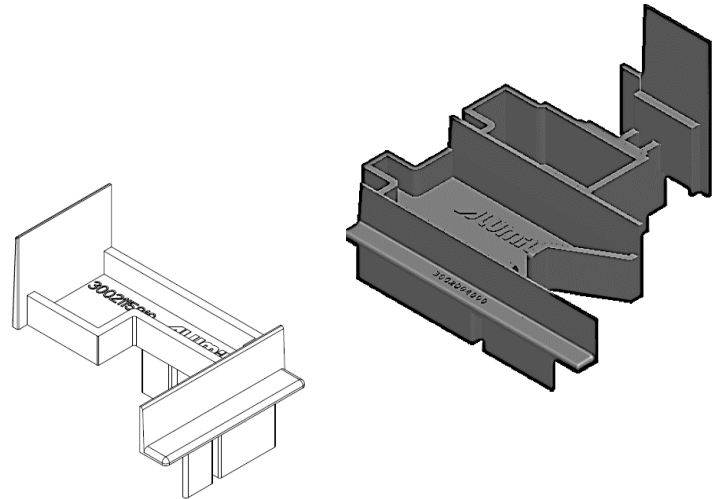
ALUMIL SYSTEM COMPOSITES

FUNCTION

Composite materials by Alumil for complete, tested and certified systems

TECHNICAL FEATURES

- Latest technology production processes
- 3D designing and 3D printing prototypes
- Electronically controlled heating and cooling for top material quality
- 5 axis CNC machines for mold production
- Excellent quality material and production ensures form retention and UV resistance
- All thermoplastic accessories are part of the official Alumil system certification
- Compression and Ageing tested between -10 and 100 °C
- Individual accessory design and certification upon request
- The gaskets are covered by silicone after production for ease of installation. Lack of silicone does not affect the gasket properties
- Silicone spray available (Alumil adhesives) for all composite parts



Material	EPDM	Material	PVC - UV	Material	Polyamide
Color	Bk (Black)	Color	Bk (black)	Color	Bk (black)
Material Type	Ro/He Epdm	Material Type	PVC - UV	Material Type	PA6.6-GF25
Standard Ref.	DIN 7863	Specific Weight	ISO 1183: 1450	Viscosity	ISO 307: 150
Hardness	ASTM D 2240: 72 sh.	Vicat Point (5kg)	ISO 306: 78,5	Water Absorb.	ISO 62: 4
Specific Gravity	ASTM D 1817: 1.204	Hardness	ISO 868: 76,5	Moist Absorb.	ISO 62: 1.2
Tensile Strength	ASTM D 412c: 8,4	Tensile Strength	ISO 527: 30	Melting Temp.	ISO 3146: 240
Ultimate Elong.	ASTM D 412c: 280	Yield Point	ISO 527: 32	Melting Rate	ISO 3146: 20
Modulus 100%	ASTM D 412c: 4,4	Elongation at Break	ISO 527: 100	Melting Extrus.	300c
Modulus 200%	ASTM D 412c: 7,1	Flexural Modulus	ISO 178: 2000	Stress at Break	ISO 527-2: 130
Tear Resistance	ASTM D 624b: 31	Impact Strength	ISO 180: 1100	Impact Strength	ISO 179/1eu: 60
Compression Set 100c	ASTM D 395b: 29%	Inflamability	UL94: V0		
Compression Set -22c	ASTM D 395b: 43%				

MATERIALS

- Polyamide PA6 Glass reinforced
- PVC
- EPDM

SURFACE COATING

- No surface coating applied
- Color is part of material
- Accessories may be coated with silicone for ease of application

CERTIFICATION

- All materials fully certified based on ISO, EN standards
- Tested for physical, mechanical, chemical, electrical and flammability characteristics
- ISO 9001:2008
- Alumil 5 Year Guarantee



CODES & DESCRIPTIONS

Codes to be specified upon request

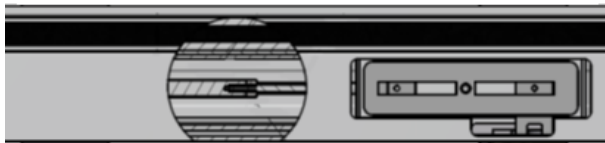
ALUMIL S650 HANDLES WITH LOCKING KIT

FUNCTION

Complete locking kit with handles for Alumil SUPREME S650 PHOS

TECHNICAL FEATURES

- Adjustable and extendable locking rods with screw-in stainless tips
- Smooth operation due to anodized internal components
- Lockable with key on handle lever
- Kit includes all required screws
- Easy to install after window transportation on site
- Easy to remove for maintenance
- Standard kit covers heights up to 3m sash
- Extra rod for higher sashes
- Strikers are separate codes
- Branded with Alumil unique design
- Available in both Standard and Minimal versions



MATERIALS

- Extruded aluminum handles and covers
- Polyamide bushings
- Stainless steel screws and other accessories
- Galvanized rod adjustors
- Aluminum locking rods

SURFACE COATING

- Natural anodized silver
- Black anodized
- Special colors available for Projects (10 pairs minimum)

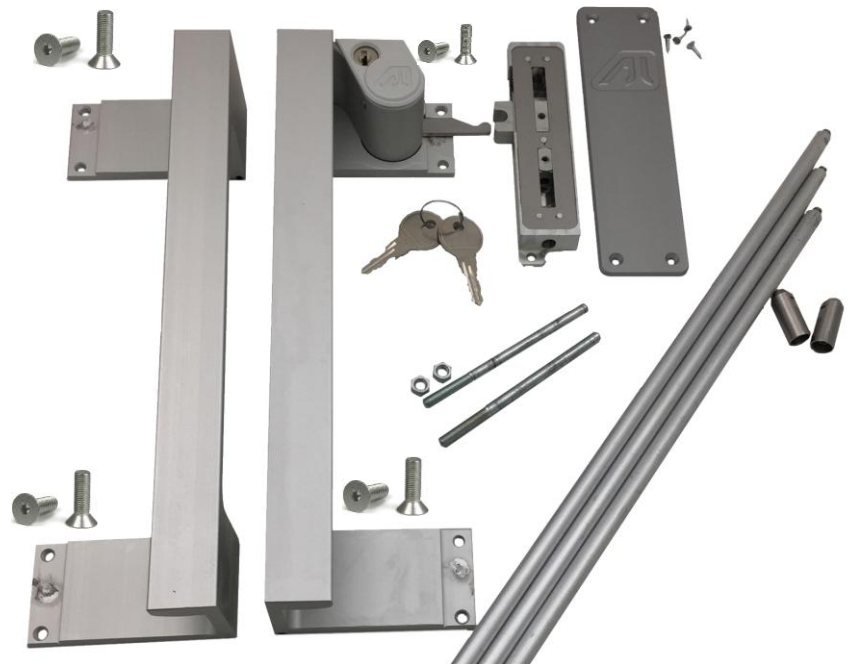
CERTIFICATION

- Alumil 5 Year Guarantee

Pair of Minimal Handles with Locking Kit



Pair of Handles with Locking Kit



CODES & DESCRIPTIONS

INT-6106510133	PAIR OF HANDLES AND LOCK. KIT SLIDING LEFT NAT. ANODISED	INT-6106521133	PAIR OF MINIMAL HANDLES AND LOCK. KIT SLIDING LEFT NAT ANODISED
INT-6106510145	PAIR OF HANDLES AND LOCK. KIT SLIDING LEFT BLACK ANODISED	INT-6106521145	PAIR OF MINIMAL HANDLES AND LOCK. KIT SLIDING LEFT BLACK ANODISED
INT-6106510233	PAIR OF HANDLES AND LOCK. KIT SLIDING RIGHT NAT. ANODISED	INT-6106521233	PAIR OF MINIMAL HANDLES AND LOCK. KIT SLIDING RIGHT NAT. ANODISED
INT-6106510245	PAIR OF HANDLES AND LOCK. KIT SLIDING RIGHT BLACK ANODISED	INT-6106521245	PAIR OF MINIMAL HANDLES AND LOCK. KIT SLIDING RIGHT BLACK ANODISED
INT-6406500000	SET OF STRIKING PLATES FOR S650	INT-6100651033	PAIR OF HANDLES WITHOUT LOCK NAT. ANODISED
INT-6406500500	SET OF STRIKING PLATE FOR S650 CORNER	INT-6100651045	PAIR OF HANDLES WITHOUT LOCK BLACK ANODISED
INT-6406500300	STAINLESS STEEL 3mm PART FOR STRIKING PLATE S650	INT-6106521333	PAIR OF MINIMAL HANDLES WITHOUT LOCK NAT. ANODISED 101020
INT-6406569423	SET OF KEEPERS AND STOPPER MEETING STILE TYPOLOGY	INT-6106521345	PAIR OF MINIMAL HANDLES WITHOUT LOCK BLACK ANODISED 103520
EX-6106510000	SEPARATE ROD 1m FOR S650 HANDLES WITH LOCKING KIT	INT-6106501000	GEAR BOX FOR S650 HANDLES RIGHT
		INT-6106502000	GEAR BOX FOR S650 HANDLES LEFT

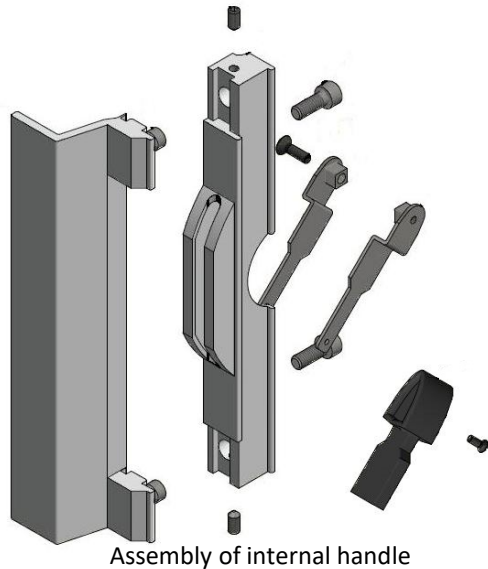
ALUMIL M630 HANDLES

FUNCTION

Complete kit with interior and exterior handles for Alumil SMARTIA M630

TECHNICAL FEATURES

- Easy to install after window transportation on site
- Easy to remove for maintenance
- Excellent cooperation with multi point locks for sliding systems
- Kit includes all required screws
- Branded with Alumil unique design



Assembly of internal handle



Kit of internal-external handle

MATERIALS

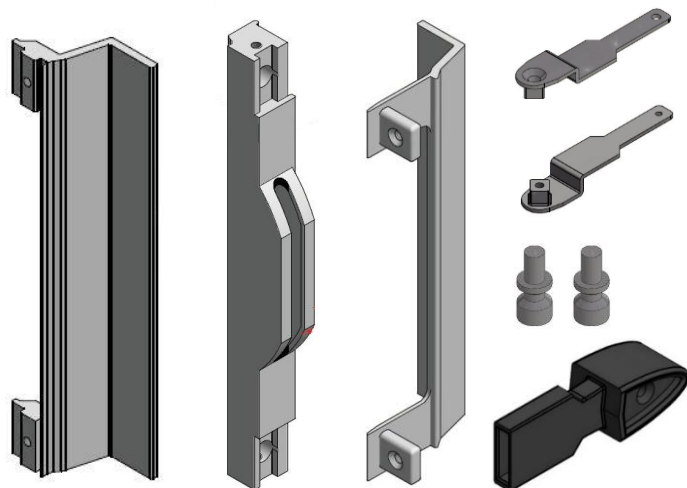
- Extruded aluminum handles
- Polyamide cover cup
- Stainless steel screws and other accessories

SURFACE COATING

- White powder coating RAL 9016
- Black powder coating RAL 9005 mat
- Silver powder coating RAL 9006
- Special colors upon request

CERTIFICATION

- Alumil 5 Year Guarantee



CODES & DESCRIPTIONS

EX-6100163002 KIT OF INTERNAL-EXTERNAL HANDLE WHITE
EX-6100163061 KIT OF INTERNAL-EXTERNAL HANDLE BLACK MAT
EX-6100163009 KIT OF INTERNAL-EXTERNAL HANDLE SILVER
EX-6100163000 KIT OF INTERNAL-EXTERNAL HANDLE MILL FINISH

EX-6100263002 KIT OF INTERNAL HANDLE WHITE
EX-6100263061 KIT OF INTERNAL HANDLE BLACK MAT
EX-6100263009 KIT OF INTERNAL HANDLE SILVER
EX-6100263000 KIT OF INTERNAL HANDLE MILL FINISH

EX-6100363002 KIT OF INTERNAL-EXTERNAL HANDLE WITHOUT LOCK WHITE
EX-6100363061 KIT OF INTERNAL-EXTERNAL HANDLE WITHOUT LOCK BLACK MAT
EX-6100363009 KIT OF INTERNAL-EXTERNAL HANDLE WITHOUT LOCK SILVER
EX-6100363000 KIT OF INTERNAL-EXTERNAL HANDLE WITHOUT LOCK MILL FINISH

EX-6100463002 INTERNAL HANDLE FOR WITHOUT LOCK WHITE
EX-6100463061 INTERNAL HANDLE FOR WITHOUT LOCK BLACK MAT
EX-6100463009 INTERNAL HANDLE FOR WITHOUT LOCK SILVER
EX-6100463000 INTERNAL HANDLE FOR WITHOUT LOCK MILL FINISH

ALUMIL SF85 SYSTEM HARDWARE

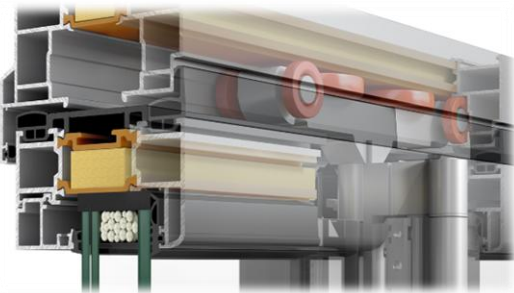
NEW!
UPDATE

FUNCTION

A complete hardware solution for the Alumil SF85, high thermally insulating bi-fold system.

TECHNICAL FEATURES

- All hardware components are specifically designed for excellent fitting.
- Upper and lower carriages are self aligning and with integrated bump stops. Upper carriage is sprung-suspended for perfect sash verticality.
- Lower carriage fitted with obstacle guard, and tested up to 500kg per double sash.
- Double action shoot bolts ensure tight closing on sashes.
- Patented PA-UP1 polymer material for shoot bolts allows for forces up to 1500kg per bolt.
- Bespoke low-height handle with lifting action for all middle sashes. Couples with extruded aluminium pull handle for operation.
- Extra strong 490N magnet holder.
- 3 point hook lock for high security
- Choice of door handles from the Alumil collection.
- All hardware are fully anodized for a flawless finish and corrosion resistant.



MATERIALS

- Hardware components from extruded aluminium
- Stainless steel wheels and pins and screws
- Polyamide aligners and caps
- Ultra high strength PA-UP1 shoot bolts
- EPDM Gaskets

SURFACE COATING

- Silver / Natural anodized
- Black anodized

CERTIFICATION

- Alumil 5 Year Guarantee

CODES & DESCRIPTIONS

INT-3608510033	ROLLER-HINGE BODY OF BIFOLDING DOOR SF85 NATURAL ANODISED 101020
INT-3608510045	ROLLER-HINGE BODY OF BIFOLDING DOOR SF85 BLACK ANODISED 103520
INT-3608501033	INTERMEDIATE HINGE OF BIFOLDING DOOR SF85 NATURAL ANODISED 101020
INT-3608501045	INTERMEDIATE HINGE OF BIFOLDING DOOR SF85 BLACK ANODISED 103520
INT-3808510133	SET OF ALUMIL HANDLE FOR BIFOLDING DOOR SF85 INTERMEDIATE HINGE NATURAL ANODISED 101020
INT-3808510145	SET OF ALUMIL HANDLE FOR BIFOLDING DOOR SF85 INTERMEDIATE HINGE BLACK ANODISED 103520
INT-3808501133	HANDLE FOR BIFOLDING DOOR SF85 NATURAL ANODISED 101020
INT-3808501145	HANDLE FOR BIFOLDING DOOR SF85 BLACK ANODISED 103520
INT-4248510000	BOTTOM CARRIAGE OF BIFOLDING DOOR SF85 ROLLER-HINGE NATURAL ANODISED 101020
INT-4248510500	UPPER CARRIAGE OF BIFOLDING DOOR SF85 ROLLER-HINGE NATURAL ANODISED 101020
INT-4248501401	WIDTH ADJUSTOR OF BIFOLDING DOOR SF85
INT-4748501000	PLASTIC SET OF ACTIVE SHOOT BOLTS OF BIFOLDING DOOR SF85
INT-4748504000	PLASTIC SET OF PASSIVE SHOOT BOLTS OF BIFOLDING DOOR SF85
INT-6100102100	LOCKING GEAR MECHANISM FOR MIDDLE SASH SF85

NEW!
 UPDATE

ALUMIL MF65 SYSTEM HARDWARE

FUNCTION

A complete hardware solution for the Alumil MF 65, high thermally insulating bi-fold system

TECHNICAL FEATURES

- All hardware components are specifically designed for excellent fitting
- Upper and lower carriage are self aligning and with integrated bump stops. Upper carriage is sprung-suspended for perfect sash verticality
- Lower carriage fitted with obstacle guard, and tested up to 500kg per double sash
- Double action shoot bolts ensure tight closing on sashes
- Patented PA-UP1 polymer material for shoot bolts allows for forces up to 1500kg per bolt
- Extra strong 490N magnet holder
- 3 point hook lock for high security
- Choice of door handles from the Alumil collection
- All hardware are fully anodized for a flawless finish and corrosion resistant

MATERIALS

- Hardware components from extruded aluminium
- Stainless steel wheels, pins and screws
- Polyamide aligners and caps
- Ultra high strength PA-UP1 shoot bolts
- EPDM gaskets

SURFACE COATING

- White powder coating RAL 9016 gloss
- Black powder coating RAL 9005 matte

CERTIFICATION

- Alumil 5 Year Guarantee



CODES & DESCRIPTIONS

EX-4706510361	BODY FOR INTERMEDIATE HANDLE MF65 BLACK RAL 9005 MATTE
EX-4706510302	BODY FOR INTERMEDIATE HANDLE MF65 WHITE RAL 9016 GLOSS
EX-3606510361	INTERMEDIATE FOLDING HINGE MF65 BLACK RAL 9005 MATTE
EX-3606510302	INTERMEDIATE FOLDING HINGE MF65 WHITE RAL 9016 GLOSS
EX-3802500003	HANDLE FOR FOLDING DOOR JOINT BLACK RAL 9005 MATTE
EX-3802500002	HANDLE FOR FOLDING DOOR JOINT WHITE RAL 9016 GLOSS
EX-4506513516	1 POINT LOCK 35/85 WITH INOX STRIKER MF65
EX-4506503516	3 POINT LOCK 35/85 WITH HOOKS AND SINGLE STRIKER ALUMIL INOX
EX-4246510161	LOWER CARRIAGE MF65 BLACK RAL 9005 MATTE
EX-4246510102	LOWER CARRIAGE MF65 WHITE RAL 9016 GLOSS
EX-4246516061	LOWER CARRIAGE FOR EVEN TYPOLOGY MF65 BLACK RAL 9005 MATTE
EX-4246516002	LOWER CARRIAGE FOR EVEN TYPOLOGY MF65 WHITE RAL 9016 GLOSS
EX-4246510261	TOP CARRIAGE FOR MF65 BLACK RAL 9005 MATTE
EX-4246510202	TOP CARRIAGE FOR MF65 WHITE RAL 9016 GLOSS
EX-4246517061	TOP CARRIAGE FOR EVEN TYPOLOGY MF65 BLACK RAL 9005 MATTE
EX-4246517002	TOP CARRIAGE FOR EVEN TYPOLOGY MF65 WHITE RAL 9016 GLOSS
EX-4746511000	ACTIVE SHOOT BOLT MF65
EX-4746511200	LOCKING SET FOR ACTIVE-PASSIVE MF65
INT-6100102100	LOCKING GEAR MECHANISM FOR MIDDLE SASH
INT-4248590000	MAGNETIC HOLD BACK CLIP

ALUMIL S500 HANDLES WITH LOCKING KIT

NEW!
UPDATE

FUNCTION

Minimal full-height profile handle for Supreme S500 system for a symmetrical, clean-lined appearance

TECHNICAL FEATURES

- Special design for perfect integration
- Rotating locking controller painted in the same color as the profiles
- Perfect alignment in closed position for a seamless appearance
- Alumil unique design
- Gearbox with wrong operation safety mechanism for preventing misuse



MATERIALS

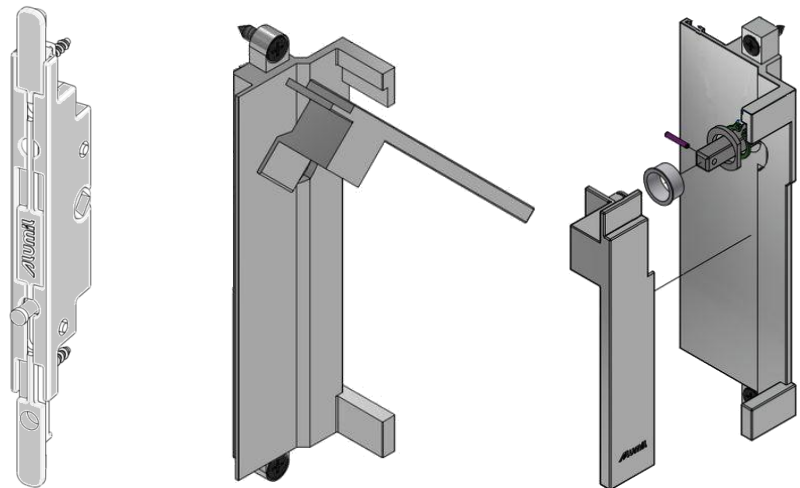
- Extruded aluminum handles
- Polyamide cover cups
- Stainless steel screws and other accessories

SURFACE COATING

- Available in any color

CERTIFICATION

- Alumil 5 Year Guarantee



CODES & DESCRIPTIONS

EX-6105000500	S500 HANDLE SET RIGHT (LEFT SLIDING)
EX-6105000600	S500 HANDLE SET LEFT (RIGHT SLIDING)
EX-6105000800	S500 CORNER HANDLE SET LEFT (RIGHT SLIDING)
EX-6105000900	S500 CORNER HANDLE SET RIGHT (LEFT SLIDING)
EX-6105000300	GEARBOX S500 WITH WRONG OPERATION SAFETY DEVICE

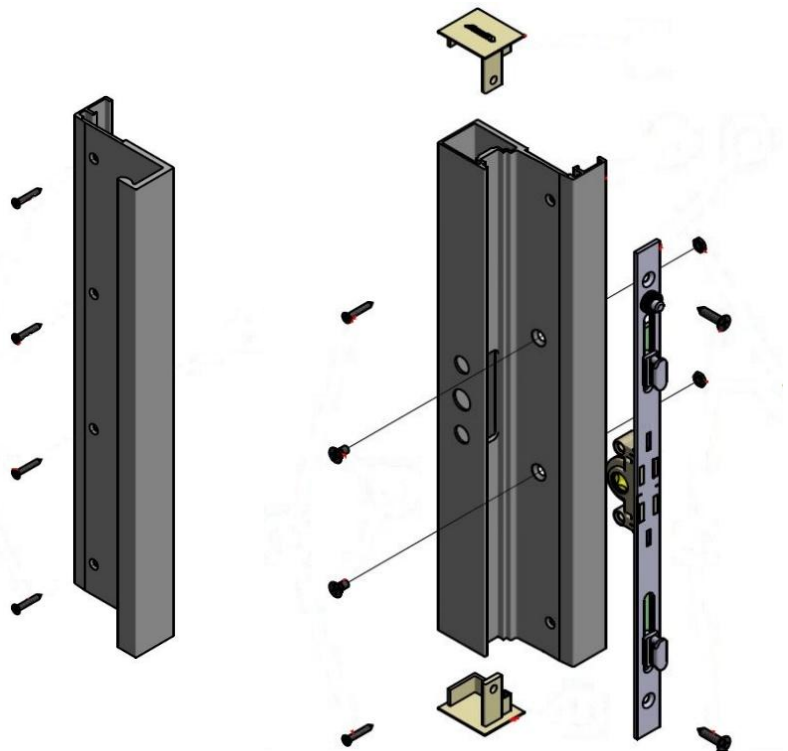
ALUMIL M12500 HANDLES AND LINEAR CONTROLLER

FUNCTION

Interior, exterior handles and linear controller for Alumil SMARTIA M12500

TECHNICAL FEATURES

- Easy to install after window transportation on site
- Excellent cooperation with linear controller
- Easy to remove for maintenance
- Preinstalled 2-point lock locking kit on the interior handle
- Both interior and exterior handles include all required screws
- Alumil unique design for interior and exterior handles



External handle



Internal handle



Set of 7mm spindle and screws

MATERIALS

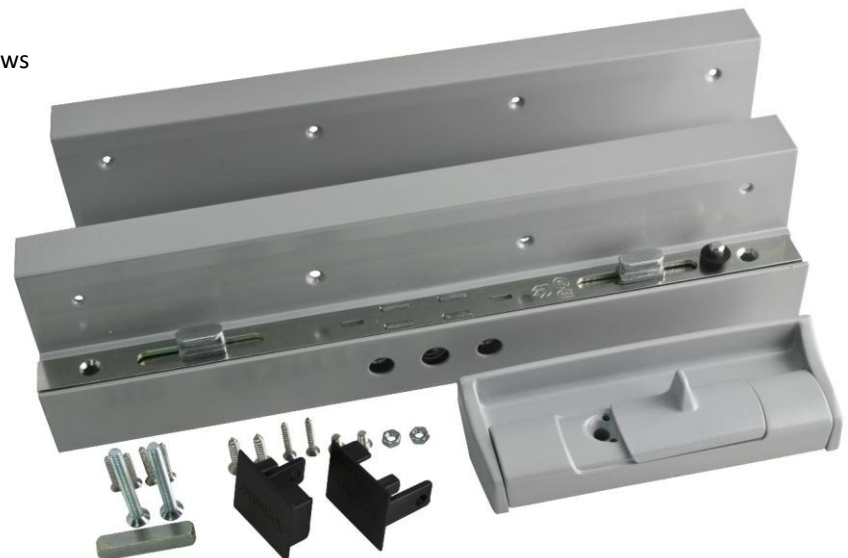
- Extruded aluminum handles
- Polyamide cover cups
- Stainless steel screws and other accessories

SURFACE COATING

- Black powder coating RAL 9005 mat
- Silver powder coating RAL 9006
- Special colors upon request

CERTIFICATION

- Alumil 5 Year Guarantee



CODES & DESCRIPTIONS

EX-6601250309	INTERNAL HANDLE M12500 SILVER RAL 9006
EX-6601250361	INTERNAL HANDLE M12500 BLACK RAL 9005 MAT
EX-6601250409	EXTERNAL HANDLE FOR M12500 SILVER RAL 9006
EX-6601250461	EXTERNAL HANDLE FOR M12500 BLACK RAL 9005 MAT

CHILD SAFETY MECHANISM SOLUTIONS

FUNCTION

Access control and protection solutions against unwanted use by children for hinged, sliding and lift and sliding windows

TECHNICAL FEATURES

- Special locks with cylinder slot that, when used, prevents the handle from unlocking the door
- It is recommended to use a range knob cylinder on the internal side and a key cylinder on the external (cylinders CDS page)
- **Slidings:** Lock with a cylinder slot available in the height options, 1170 and 1500mm
- **Hinged:** Gears compatible with euro groove mechanisms, installed at the desired height
- **Lift and Slide:** Mushroom lock available in two heights with cylinder slot at a minimum height of 1500mm

MATERIALS

- Steel main body and locking points
- Zamak components

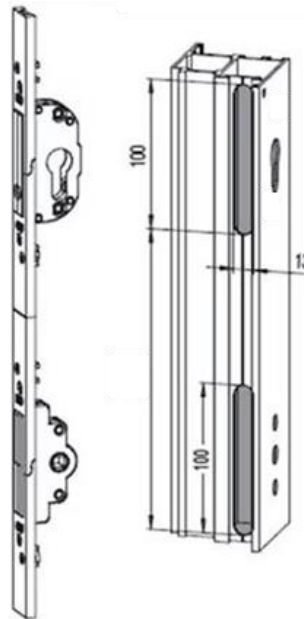
SURFACE COATING

- The individual parts of the mechanism made of Zamak with a two-tone surface treatment and acquire a silver color

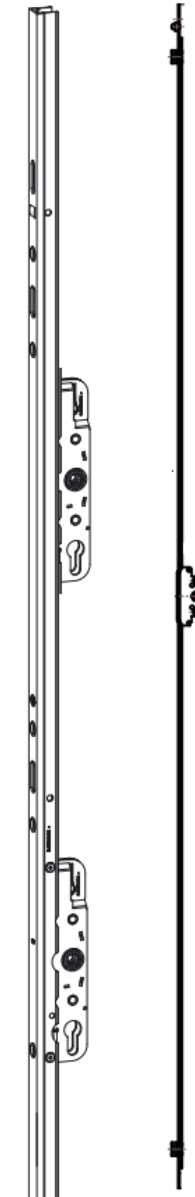
CERTIFICATION

- Certified according to
 - EN 13126-3:2011 for slidings
 - EN 13126-8:2006 for hinged
 - EN 13126-16:2008 for LnS
- Corrosion [EN 16710]:
 - Mechanism: Grade 4 -> 240 hours of salty-spray test
 - ZAMAK Components: Grade 5 -> 1,000 hours of salty-spray test [EN 1670]
- Alumil 5 Year Guarantee

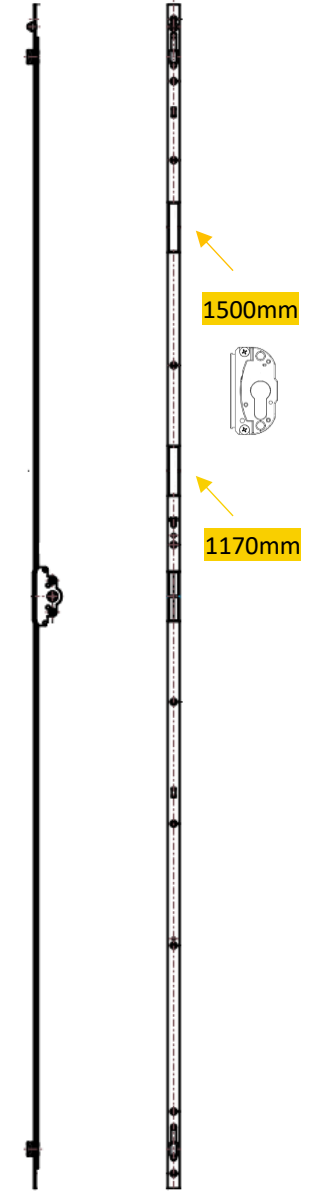
Hinged



LnS



Sliding with 2 cylinder positions



CODES & DESCRIPTIONS

Hinged

EX-4159182511	GEAR WITH CYLINDER HOLE F25mm
EX-4159183001	GEAR WITH CYLINDER HOLE F30mm
EX-4159183500	GEAR WITH CYLINDER HOLE F35mm
EX-4159184011	GEAR WITH CYLINDER HOLE F40mm
EX-4159184511	GEAR WITH CYLINDER HOLE F45mm

Slidings

EX-6302654300	GEAR INLINE F25mm with CYLINDER POSITION FOR CHILD SAFETY
EX-6309642511	BODY WITH CYLINDER POSITION D25mm

Lift and slidings

EX-4170992411	GEAR LIFT/SLIDE WITH MUSHROOM CHILD SAFETY ALUMIL Sh:1865-2365mm
EX-4170992811	GEAR LIFT/SLIDE WITH MUSHROOM CHILD SAFETY ALUMIL Sh:2115-2765mm

CHILD SAFETY ACCESSORY FOR SLIDING SYSTEMS



FUNCTION

Child Safety accessory specially designed to prevent children from opening the sliding windows, providing an economical and safe solution. Suitable for Alumil sliding systems.

TECHNICAL FEATURES

- Installed in Alumil sliding systems with vertical distance between the glass inner surface and the sash profile: 7-20mm strictly (see image)
- Recommended installation height: 1800mm
- Placed on the hook or on the side sashes
- Recommended to be used one day after the installation
- The movable part of Child Safety is placed in the middle of the bumper (open position)
- Easy removal



Child Safety



Bumper



Installation & Removal Instructions



SCAN ME



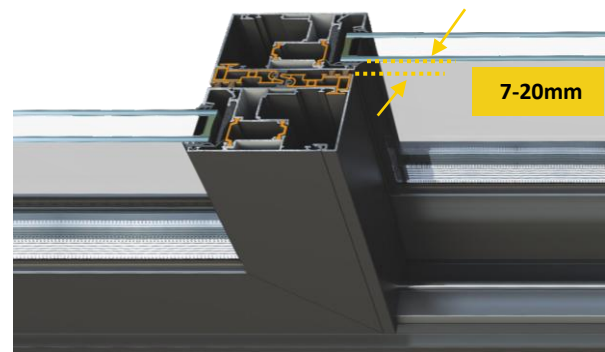
SCAN ME



Closed position



Open position



Operational distance

MATERIALS

- Aluminium body
- Transparent double-sided adhesive
- Stainless pin

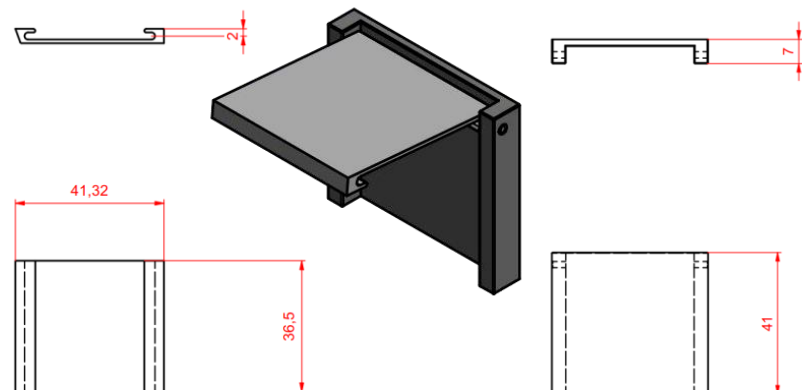
SURFACE COATING

- Natural anodization
- Black anodization

CERTIFICATION

- Durability: 25.000 hits with load 39N
- Corrosion resistance: Grade 5 → 480 hours salt-spray test [EN 1670]
- Alumil 5 Year Guarantee

Drawing



CODES & DESCRIPTIONS

EX-6600451433

CHILD SAFETY ACCESSORY FOR SLIDING SYSTEMS NATURAL ANODIZATION

EX-6600451445

CHILD SAFETY ACCESSORY FOR SLIDING SYSTEMS BLACK ANODIZATION

MAGNETIC ALARM CONTACTS

NEW!
UPDATE

FUNCTION

Magnetic alarm contacts for hidden installation in hinged and sliding systems to ensure high security

TECHNICAL FEATURES

- Easy and quick installation
- The hinged set is available with a 3,5m cable version for connecting the wires outside the frame
- Ready for immediate use after installation (plug and play)
- Compatible with smart housing systems
- Hinged packaging includes:
 - Cylindrical reed sensor $\Phi 7$
 - Flange to prevent water ingress from the cable routing hole
 - Cap with Alumil logo
 - Round magnet with a 4.2mm hole
 - Connection cable
- LnS packaging includes:
 - Cylindrical reed sensor $\Phi 7$
 - Magnet holder with Alumil logo
 - Magnet in plastic spacer
- Normal closed operation: it sends a signal when the system opens and the magnet is separated from the sensor
- Maximum distance between Sensor –Magnet: 4cm

Hinged magnetic contact set



Lift and sliding magnetic contact set



ΥΛΙΚΑ

- Φλάντζα από λάστιχο
- Μεταλλικό καπάκι από Zamak στο σετ επαφής ανοιγομένων
- Μαγνήτης από κράμα νεοδυμίου, σιδήρου και βόριου

ΕΠΙΦΑΝΕΙΑΚΕΣ ΚΑΤΕΡΓΑΣΙΕΣ

- Χωρίς επιπλέον επιφανειακές κατεργασίες

ΠΙΣΤΟΠΟΙΗΤΙΚΑ

- 5 χρόνια εγγύηση Alumil

ΚΩΔΙΚΟΙ & ΠΕΡΙΓΡΑΦΕΣ

EX-4701045100 SET OF MAGNETIC CONTACT FOR OPENING SYSTEMS

EX-4701045200 SET OF MAGNETIC CONTACT FOR LNS SYSTEMS

EX-4701045300 SET OF MAGNETIC CONTACT FOR OPENING SYSTEMS WITH CABLE 3,5m

ALUMIL SUPREME SYSTEM PUNCHING MACHINE

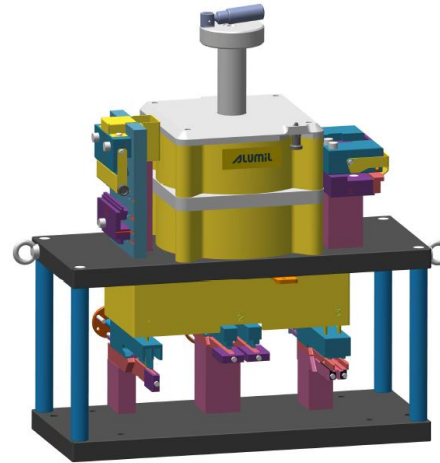
FUNCTION

Alumil pneumatic punching machine for Supreme hinged systems with 5 fixed tools and capability of inserting detachable tools for Supreme sliding systems

TECHNICAL FEATURES

- Designed for cold-pressing profiles in aluminium and/or similar materials
- 5 fixed tools for commonly used punchings on hinged systems
- Available body (extra code) with 6 slots for detachable tools
- Detachable tools available for commonly used punchings on sliding or hinged systems
- Available base for stabilization
- Branded with Alumil unique design
- The year of construction is stated on the plate (with CE marking) affixed to the machine
- The serial number is printed directly on the plate
- Available main punching machine body without integrated extra phases

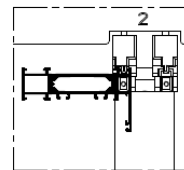
Pneumatic punching machine



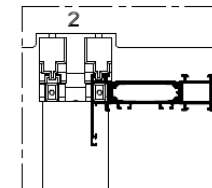
Example of punching of specific tool

Description	Unit of measurement	Value
Cylinder	mm	Ø200
Number of chambers		2
Cylinder stroke	mm	30
Minimum working pressure	Bar	6
Punching force	Kg.	3480
Air consumption	NI per cycle	22,2
Dimensions	mm	592x297 H=640,3
Weight	Kg.	82

a. Insertion of the profile

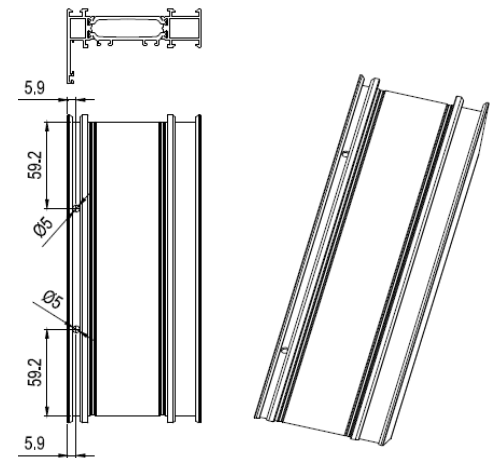


Left profile introduction.



Right profile introduction.

b. Drawing of the punching on the profile



c. Profiles to be punched

Profiles to be worked: S67508, S67510, S67514, S67586, S67814, S67886, S67906, S77508, S77510, S77514, S77814, S77886, S77906, S91508, S91510, S91514, S91906.

MATERIALS

- High quality materials

SURFACE COATING

- No additional surface coating

CERTIFICATION

- Conforms to the harmonized standards EN 12100:2010, EN 349, EN 953 & EN 4414
- Alumil 12 month Guarantee

CODES & DESCRIPTIONS

- INT-8003001000 PNEUMATIC PUNCHING MACHINE FOR SUPREME HINGED SYSTEMS WITH 5 FIXED TOOLS AND CAPABILITY OF DETACHED
- INT-8002000100 ADD FOR BODY OF PUNCH W/ 6 SLOTS FOR PHASES
- INT-8001706900 BASE OF STABILIZATION FOR PUNCH 8001600100
- INT-8003114900 MAIN BODY OF PUNCHING MACHINE
- INT-8002007100 PHASE OF TREAT FOR FRAME CORNERS 800200000 NEW
- INT-8003001100 PHASE OF CUT FOR SLOT AND HOLES FOR CREMONE HANDLES
- INT-8003001500 PHASE OF CUT FOR 4MM HOLES FOR 90° CUT PROFILE S67
- INT-8003501000 PHASE OF CUT FOR 6MM HOLES FOR JOINTERS AT PROFILE S67
- INT-8002520200 PHASE OF CUT FOR PROFILE S70741 S70740
- INT-8002500000 PHASE OF CUT FOR PROFILE S70704
- INT-8002006100 PHASE OF SHUTTER SASH CORNERS 800200000
- INT-8002005100 PHASE OF TREAT FOR LOW FRAME ADD DRAIN 800200000
- INT-8002004100 PHASE OF TREAT FOR FRAME DRAINAGE 800200000
- INT-8002002100 PHASE OF TREAT FOR HATCH 800200000
- INT-8002001100 PHASE OF TREAT FOR 4,5mm FOR CORNER 800200000

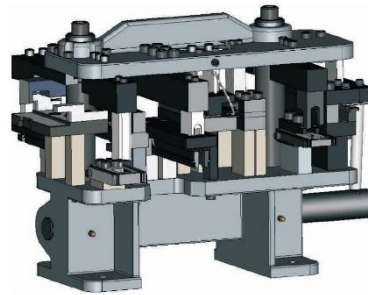
ALUMIL PUNCHING MACHINES

FUNCTION

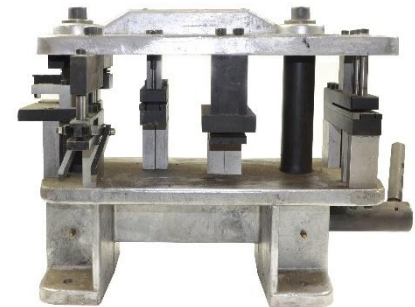
Manual or pneumatic punching machines to cover the mainly used millings for Alumil systems

TECHNICAL FEATURES

- All hardware components are specifically designed for excellent fitting of Alumil profiles
- Each punching machine refers to one Alumil System or a small group of similar Systems in terms of millings
- Manual or pneumatic versions for the majority of the machines
- “Express” version to cover the most common millings
- Punching machines are mainly “MTO” (Make to Order) codes
- Each punching machine is delivered with its manual containing the tools it contains and the profiles each tool mills



Manual punching machine



Pneumatic punching machine



MATERIALS

- High quality materials

SURFACE COATING

- No additional surface coating

CERTIFICATION

- Alumil 12 month Guarantee

CODES & DESCRIPTIONS

EX-8000165000	MANUAL PUNCHING MACHINE FOR EXPRESS CATALOG
EX-8000265000	MANUAL PUNCHING MACHINE FOR EXPRESS CATALOG 2
EX-8006720000	MANUAL PUNCHING MACHINE FOR S67
EX-8006710001	PNEUMATIC PUNCHING MACHINE FOR S67
EX-8000056000	MANUAL PUNCHING MACHINE FOR S560
EX-8000056100	PNEUMATIC PUNCHING MACHINE FOR S560
EX-8001460000	PNEUMATIC PUNCHING MACHINE FOR M14600
EX-8004400000	MANUAL PUNCHING MACHINE FOR S440
EX-8000035000	MANUAL PUNCHING MACHINE FOR S350
EX-8000670000	MANUAL PUNCHING MACHINE FOR M12000/M14000/M9200/M9050/940
EX-8001200100	PNEUMATIC PUNCHING MACHINE M12000/M14000
EX-8000100000	MANUAL PUNCHING MACHINE FOR OPEN/SLIDINGS
EX-8000940000	MANUAL PUNCHING MACHINE FOR M9400
EX-8000093000	PNEUMATIC PUNCHING MACHINE FOR M9300/M9400
EX-8001150100	PNEUMATIC PUNCHING MACHINE FOR M11000/M11500
EX-8000000100	MANUAL PUNCHING MACHINE FOR M3/M4
EX-8000480000	PNEUMATIC PUNCHING MACHINE FOR M3/M4
EX-8000430000	PNEUMATIC PUNCHING MACHINE FOR M6
EX-8000705800	PNEUMATIC PUNCHING MACHINE FOR M7
EX-8000970000	MANUAL PUNCHING MACHINE FOR SPACER M50/M6
EX-8000680000	MANUAL PUNCHING MACHINE FOR M9800

ROTARY PNEUMATIC PUNCHING MACHINE WITH CHANGEABLE TOOLS

FUNCTION

Rotary pneumatic press for Alumil systems with 8 available slots for changeable tools positioning.

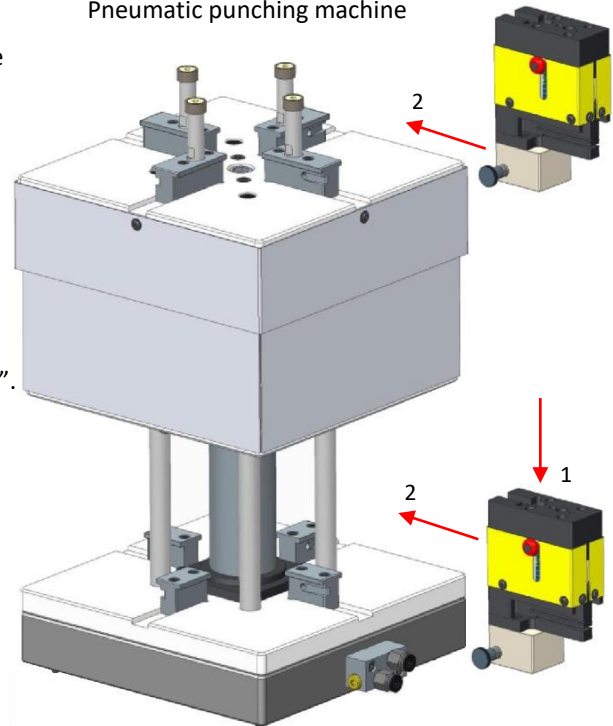
TECHNICAL FEATURES

- Designed for cold-pressing Alumil aluminium profiles.
- Requires only air supply for ease of use with 6-8 bar pressure.
- Contains:
 - 2 different levels
 - 8 available slots for changeable tools (4 per level)
- Compatible with all new tools (e.g. M35) with available library.
- Quick-Fit feature that allows the tool to be placed or removed in less than 3".
- 4 threaded holes available on the base which allow anchoring.
- The year of construction is stated on the plate (with CE marking) affixed to the machine.
- The serial number is printed directly on the plate.
- Ability to rotate 360° for ease of use.
- New tools will be produced according to new system launching.
- Quality control is performed per product and recorded in video based on each serial number.
- Thanks to the placement of one phase per side, there is enough free space for the profile positioning.
- New tool production can be available upon your request.
- Separation between applicable phases:
 - phases only for the lower floor.
 - phases for both floors.

Description	Unit of measurement	Value
Cylinder Stroke	mm	30
Working Pressure	Bar	6-8
Dimensions	mm	300x300x565
Weight	Kg	145



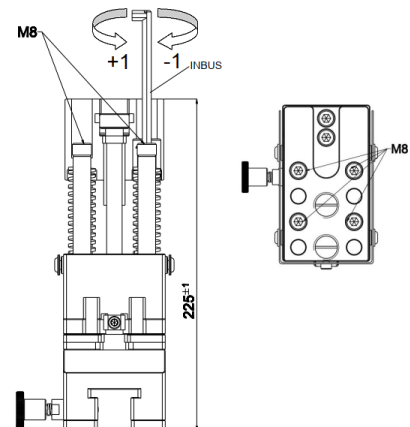
Pneumatic punching machine



1: Lightly press the top of the tool and position the tool on the press plate.

2: Push the tool over the slider until it locks. This positions the tool in the working position.

Tool height correction: screwing - unscrewing the screws, decreases or increases the tool height. One full turn of the screw is 1 mm.



MATERIALS

- High quality materials

SURFACE COATING

- No additional surface treatment

CERTIFICATION

- Extended Alumil 3 Year Guarantee
(The usual guarantee for punching machines is 12 months)

CODES & DESCRIPTIONS

EX-8002020100 PNEUMATIC PUNCHING MACHINE SMARTIA WITH SLOTS FOR DETACHABLE TOOLS

*Part numbers and descriptions are depicted in the corresponding QR-CODE.



ALUMIL KNIVES AND MILLING TOOLS

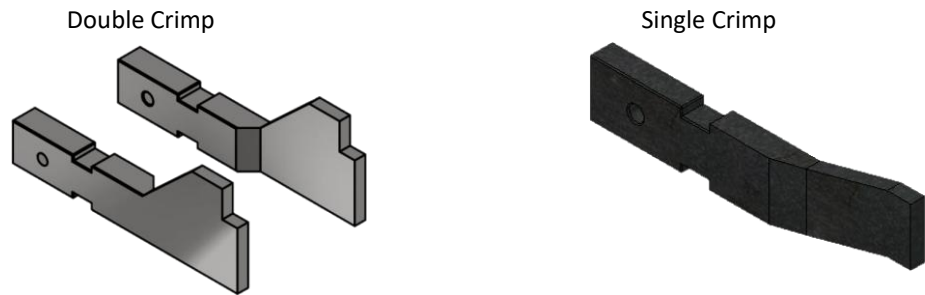
FUNCTION

An excellent solution for Alumil system fabrication by offering the necessary millings.

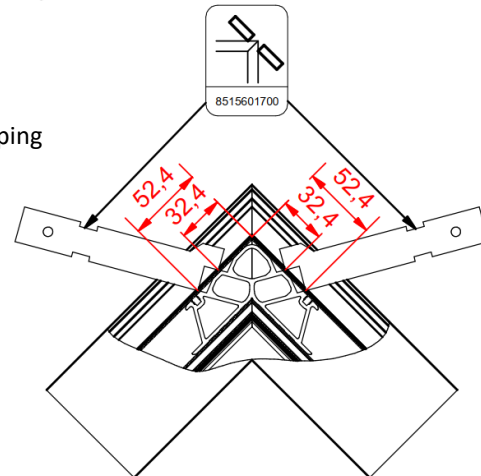
TECHNICAL FEATURES

- Specially designed for Alumil system needs
- High quality
- Milling tools:
 - Standard Axis dimensions of milling tools are 27mm/32mm (inner/outer)
 - Special Axis dimensions upon request
 - Available for T-profiles
- Knives:
 - Single or Double crimp

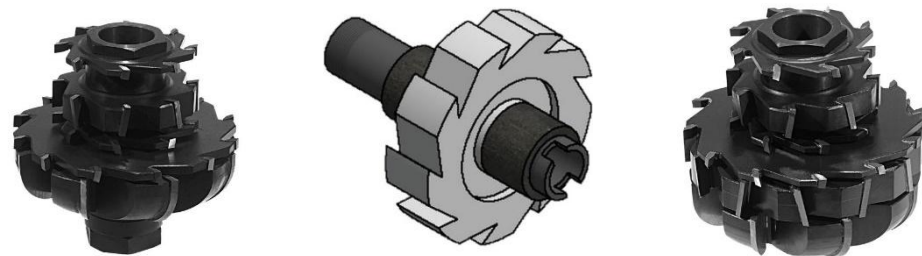
Knives



Knife crimping example



Milling tools



MATERIALS

- Steel

SURFACE COATING

- Special colors upon request

CERTIFICATION

- Alumil 5 Year Guarantee

CODES & DESCRIPTIONS

EX-8510200300	BASIC DOUBLE CRIMP CORNER CLEAT KNIFE 3mm	EX-8521240301	T-PROFILE MILLING BLADE BOTTOM TOOL M12403
EX-8510200500	BASIC DOUBLE CRIMP CORNER CLEAT KNIFE 5mm	EX-8521240302	T-PROFILE MILLING BLADE UPPER TOOL M12403
EX-8510200700	BASIC DOUBLE CRIMP CORNER CLEAT KNIFE 7mm	EX-8521250500	MILLING TOOL FOR M12505
EX-8517700300	SINGLE CRIMP CORNER CLEAT KNIFE 3mm - 43mm	EX-8521250900	MILLING TOOL FOR M12500 INTERLOCKING PROFILES
INT-8517700100	SINGLE CRIMP CORNER CLEAT KNIFE 6mm - 43mm	EX-8521460001	MILLING TOOL FOR M14600 SASH
EX-8515600700	CRIMP CORNER CLEAT KNIFE FOR S560 P1	EX-8521030400	MILLING TOOL FOR HANDLES S11531 AND S11532
EX-8515601700	CRIMP CORNER CLEAT KNIFE FOR S560 P2	EX-8521030401	BLADE FOR MILLING TOOL 8521030400 FOR M0304
EX-8510211100	DOUBLE CRIMP CORNER CLEAT KNIFE 3mm M11000, M11500 CE	INT-8521151400	MILLING TOOL SD115
EX-8519400400	DOUBLE CRIMP CORNER CLEAT KNIFE 4mm M9400 EN	INT-8527791600	T-PROFILE MILLING BLADE TOOL FOR S77 PHOS
EX-8510296500	PAIR OF DOUBLE CRIMP CORNER KNIVES FOR SASH S700		
EX-8521904200	KICKPLATE MILLING BLADE TOOL FOR M9660	EX-8523065200	MILLING TOOL FOR S30652
EX-8521963400	T-PROFILE MILLING BLADE TOOL FOR M9660 PHOS	EX-8523160900	MILLING TOOL FOR S31609
EX-8529000100	MILLING TOOL FOR STRAIGHT CUT	EX-8523169000	MILLING TOOL FOR S650 SASHES
EX-8526700000	T-PROFILE MILLING BLADE TOOL FOR S67	EX-8520032000	MILLING TOOL FOR SM338
EX-8526702000	T-PROFILE MILLING BLADE TOOL FOR S67020 AND S67022	EX-8520063100	MILING TOOL FOR FRAME TRACK M63100
EX-8526710400	T-PROFILE MILLING BLADE TOOL FOR S67 URBAN	EX-8520454800	MILLING TOOL FOR M4548, M4521
INT-8526791600	T-PROFILE MILLING BLADE TOOL FOR S67 PHOS	EX-8523502700	MILLING TOOL FOR S35017, S35027
EX-8527071400	MILLING TOOL FOR S70714/722		
EX-8527070600	MILLING TOOL FOR S70706/710		
INT-8527073400	MILLING TOOL FOR S70734		

EXTREME GLAZED SYSTEMS – FIRE / BULLET / EXPLOSION RESISTANT SYSTEMS

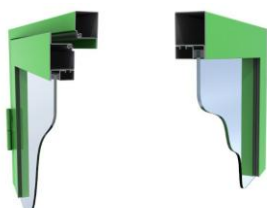
FUNCTION

Steel and stainless steel fire / bullet / explosion resistant glazed profile systems. Available both insulated or non-insulated in a variety of different typologies, hinged windows, sliding doors and fixed elements.

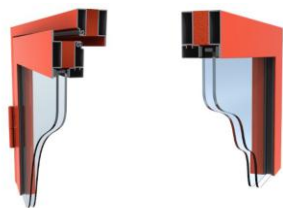
TECHNICAL FEATURES

- 6 basic systems offering numerous capabilities in fire, bullet and explosion resistance in combination with burglary resistance and sound reduction. Systems are able to accommodate the following needs:
 - Fire resistance
 - Fire resistance in combination with Bullet resistance
 - Bullet resistance
 - Explosion resistance
 - Burglar resistance and sound reduction are always covered in all above scenarios
- Every product is labeled with identification plate which includes door system identification data, in accordance with current regulations
- Standard accessories for each typology are included
- Smoke tightness test for Sa and S200 according to EN 1634 for fire resistant systems
- Dimensions, typologies, glass and accessories are always according to the relevant classification report, no intervention is permitted.
- Possibility for sliding doors up to fire class EI30
- Possibility of certifications according to UL, BS and Russian standards
- Individual Folder accompanies each product including its certification, conformity of performance and installation manual

FIRE RATED SYSTEMS	SP 35000 Painted Steel 50mm SP 95000 Stainless Steel 50mm	SP 77000 Painted Steel 70mm SP 977000 Stainless Steel 70mm	SP 79000 Painted Steel 90mm SP 979000 Stainless Steel 90mm	SP 79000/15 Painted Steel 150mm SP 979000/15 Stainless Steel 150mm
Description	Non insulated fire resistant system with one chamber	Insulated fire resistant system with two chambers	Insulated fire resistant system with two chambers	Insulated fire resistant system with three chambers
Fire Resistance	E30, EW30, E60, EW60, E120, EW120 according to EN1634-1	EI 60 according to EN1634-1	EI 90 according to EN1634-1	EI 120 according to EN1634-1
Burglary Resistance	Up to RC2 according to SS/EN 1627	Up to RC3 according to SS/EN 1627	Up to RC3 according to SS/EN 1627	Up to RC3 according to SS/EN 1627
Sound Reduction	Up to 35 db	Up to 42 db	Up to 42 db	Up to 42 db
Bullet Resistance (if required)	Not applicable	Up to FB4 according to SS/EN 1522, EN 1523 for specific type approved sections	Up to FB6 according to SS/EN 1522, EN 1523 for specific type approved sections	Up to FB7 according to SS/EN 1522, EN1523 for specific type approved sections
Explosion Resistance	Not applicable	Not applicable	Not applicable	Not applicable



SP 35000 System Section



SP 77000 System Section



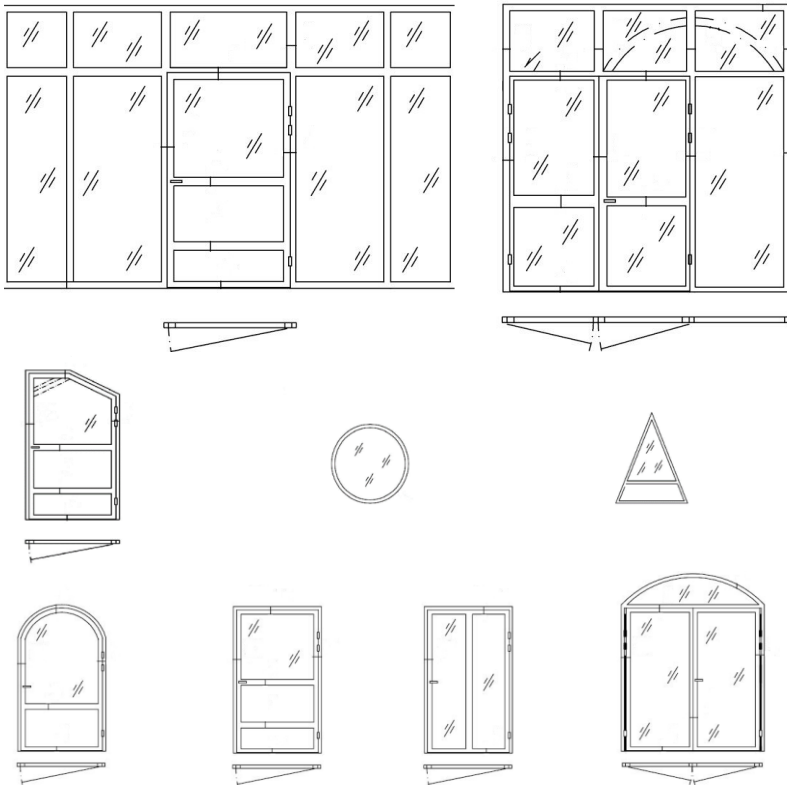
SP 79000 System Section



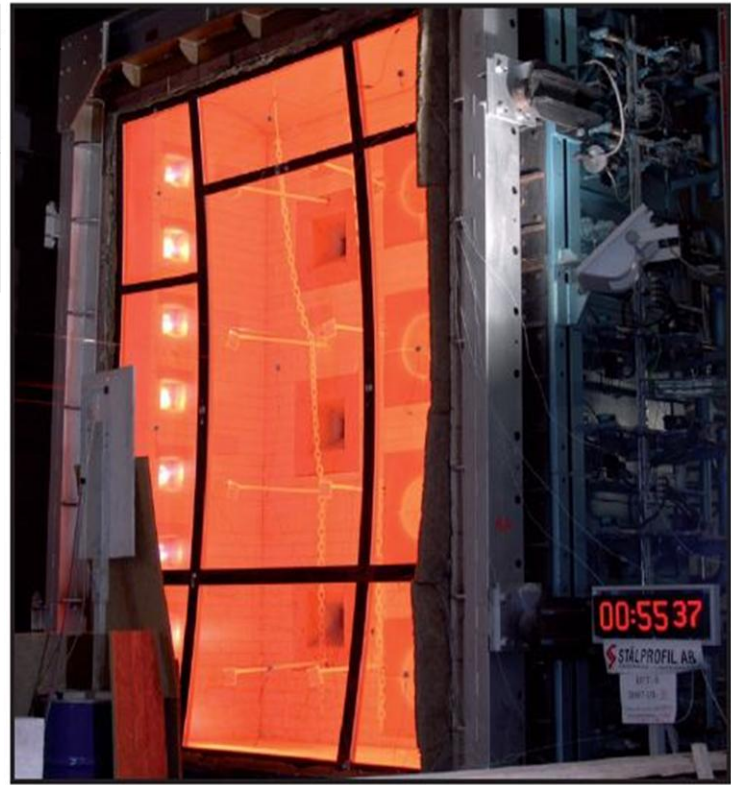
SP 56500 System Section

BULLET RESISTANT SYSTEMS	EXPLOSION RESISTANT SYSTEMS	SP 56500 Painted Steel 50mm SP 956500 Stainless Steel 50mm		SP 59000 Painted Steel 50mm SP 959000 Stainless Steel 50mm	
Description		Thermal insulated bullet resistant system with two chambers		Thermal insulated bullet resistant system with two chambers	
Bullet Resistance	Explosion Resistance	Up to FB4 according to SS/EN 1522, EN 1523	EXR 2 according to EN 13123-2	Up to FB6 according to SS/EN 1522, EN 1523	EXR 5 for specific type approved sections according to EN 13123-2
Burglary Resistance		Up to RC4 according to SS/EN 1627		Up to RC4 according to SS/EN 1627	
Sound Reduction		Up to 36 db		Up to 36 db	
Fire Resistance		Not applicable (check fire rated systems with bullet resistance)		Not applicable (check fire rated systems with bullet resistance)	

EXTREME GLAZED SYSTEMS – FIRE / BULLET / EXPLOSION RESISTANT SYSTEMS



Various typologies of fire rated profiles



Fire testing and approvals

MATERIALS

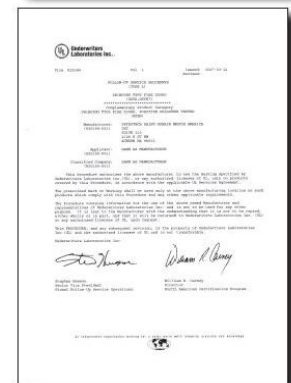
- Extruded steel and stainless steel (AISI 316L) profiles
- Isolation Promatec stone hard material
- Glass from 6 to 60 mm
- Materials of accessories according to classification reports

SURFACE COATING

- Profiles and hinges in every RAL color or INOX
- Silver door closer
- Inox handle
- Panic bar in black plastic, silver aluminum or INOX

CERTIFICATION

- Fire resistance according to EN 1634
- Smoke tightness according to EN 1634
- Burglary resistance according to SS/EN 1627
- Bullet resistance according to SS/EN 1522, EN 1523
- Explosion resistance according to EN 13123-2
- Sound reduction according to EN 140-3



CODES & DESCRIPTIONS

Codes to be specified upon request

FIRE-RATED METAL DOORS (part 1)

FUNCTION

Fire-Rated metal doors certified according to UNI9723 and EN1634-1 for fire resistance 60, 90 and 120 minutes

TECHNICAL FEATURES

- Fire resistant materials of the highest standards
- 50 or 60mm door thickness depending on fire rating
- Standard dimensions for single leaf width from 800 to 1350mm and 2050 or 2150mm height
- Standard dimensions for double leaf width from 1200 to 2000mm and 2050 or 2150mm height
- Every product is labeled with identification plate which includes door system identification data, in accordance with current regulations
- Reversible for right and left opening
- Installation on masonry with metal anchors
- 4-sided metal frame of "Z" type (53x55 or 65mm) with thermal-expansive sealing tape and removable threshold
- Heavy duty hinges 160Kg, one for adjustment and one with closing spring
- Option for window with fire-rated glass 23/54mm, round or rectangular
- Double leaf with closing regulator and automatic locking latch
- Fire-resistant handle of «U» type, inox or plastic with metal core
- Heavy duty fire-rated doors with capability of installation at all types of masonry, i.e. brick, plasterboard, «tunnel» upon request
- Special dimensions up to 2540mm width and 2670mm height on demand
- Additional equipment upon request (panic bar, inox handle, ventilation louvers, automation and controlled access)



MATERIALS

- Sendzimir galvanized sheet metal
- Inox or polyamide handle
- Inox or aluminum panic bar

SURFACE COATING

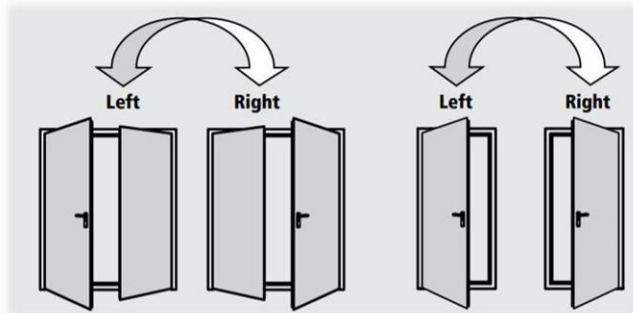
- Standard RAL 7035 Grey
- Availability in various RAL upon request
- Every RAL with "orange skin" and anti-scratch finishing
- Availability in NDD digital decor

CERTIFICATION

- Fire resistance according to EN 1634-1 and UNI 9723



FIRE-RATED METAL DOORS (part 2)



CODES & DESCRIPTIONS

EX-6801090500	FIREDOOR UNIVER REI-60 SINGLE LEAF 800x2150x50mm	EX-6802090500	FIREDOOR UNIVER REI-120 SINGLE LEAF 800x2150x60mm
EX-6801090100	FIREDOOR UNIVER REI-60 SINGLE LEAF 800x2050x50mm	EX-6802090100	FIREDOOR UNIVER REI-120 SINGLE LEAF 800x2050x60mm
EX-6801090600	FIREDOOR UNIVER REI-60 SINGLE LEAF 900x2150x50mm	EX-6802090600	FIREDOOR UNIVER REI-120 SINGLE LEAF 900x2150x60mm
EX-6801090200	FIREDOOR UNIVER REI-60 SINGLE LEAF 900x2050x50mm	EX-6802090200	FIREDOOR UNIVER REI-120 SINGLE LEAF 900x2050x60mm
EX-6801090700	FIREDOOR UNIVER REI-60 SINGLE LEAF 1000x2150x50mm	EX-6802090700	FIREDOOR UNIVER REI-120 SINGLE LEAF 1000x2150x60mm
EX-6801090300	FIREDOOR UNIVER REI-60 SINGLE LEAF 1000x2050x50mm	EX-6802090300	FIREDOOR UNIVER REI-120 SINGLE LEAF 1000x2050x60mm
EX-6801091300	FIREDOOR UNIVER REI-60 SINGLE LEAF 1100x2150x50mm	EX-6802091300	FIREDOOR UNIVER REI-120 SINGLE LEAF 1100x2150x60mm
EX-6801091100	FIREDOOR UNIVER REI-60 SINGLE LEAF 1100x2050x50mm	EX-6802091100	FIREDOOR UNIVER REI-120 SINGLE LEAF 1100x2050x60mm
EX-6801091000	FIREDOOR UNIVER REI-60 SINGLE LEAF 1200x2150x50mm	EX-6802091000	FIREDOOR UNIVER REI-120 SINGLE LEAF 1200x2150x60mm
EX-6801090900	FIREDOOR UNIVER REI-60 SINGLE LEAF 1200x2050x50mm	EX-6802090900	FIREDOOR UNIVER REI-120 SINGLE LEAF 1200x2050x60mm
EX-6801091400	FIREDOOR UNIVER REI-60 SINGLE LEAF 1300x2150x50mm	EX-6802091400	FIREDOOR UNIVER REI-120 SINGLE LEAF 1300x2150x60mm
EX-6801091200	FIREDOOR UNIVER REI-60 SINGLE LEAF 1300x2050x50mm	EX-6802091200	FIREDOOR UNIVER REI-120 SINGLE LEAF 1300x2050x60mm
EX-6801090800	FIREDOOR UNIVER REI-60 SINGLE LEAF 1350x2150x50mm	EX-6802090800	FIREDOOR UNIVER REI-120 SINGLE LEAF 1350x2150x60mm
EX-6801090400	FIREDOOR UNIVER REI-60 SINGLE LEAF 1350x2050x50mm	EX-6802090400	FIREDOOR UNIVER REI-120 SINGLE LEAF 1350x2050x60mm
EX-6801511500	FIREDOOR UNIVER REI-60 DOUBLE LEAF (750+450)x2150x50mm	EX-6802111300	FIREDOOR UNIVER REI-120 DOUBLE LEAF (750+400)x2150x60mm
EX-6801511300	FIREDOOR UNIVER REI-60 DOUBLE LEAF (750+400)x2150x50mm	EX-6802110100	FIREDOOR UNIVER REI-120 DOUBLE LEAF (750+400)x2050x60mm
EX-6801510100	FIREDOOR UNIVER REI-60 DOUBLE LEAF (750+400)x2050x50mm	EX-6802111400	FIREDOOR UNIVER REI-120 DOUBLE LEAF (800+400)x2150x60mm
EX-6801511400	FIREDOOR UNIVER REI-60 DOUBLE LEAF (800+400)x2150x50mm	EX-6802110200	FIREDOOR UNIVER REI-120 DOUBLE LEAF (800+400)x2050x60mm
EX-6801510200	FIREDOOR UNIVER REI-60 DOUBLE LEAF (800+400)x2050x50mm	EX-6802110300	FIREDOOR UNIVER REI-120 DOUBLE LEAF (800+400)x2050x60mm
EX-6801510300	FIREDOOR UNIVER REI-60 DOUBLE LEAF (800+450)x2050x50mm	EX-6802111500	FIREDOOR UNIVER REI-120 DOUBLE LEAF (800+450)x2150x60mm
EX-6801512000	FIREDOOR UNIVER REI-60 DOUBLE LEAF (800+800)x2150x50mm	EX-6802112000	FIREDOOR UNIVER REI-120 DOUBLE LEAF (800+800)x2150x60mm
EX-6801510800	FIREDOOR UNIVER REI-60 DOUBLE LEAF (800+800)x2050x50mm	EX-6802110800	FIREDOOR UNIVER REI-120 DOUBLE LEAF (800+800)x2050x60mm
EX-6801511600	FIREDOOR UNIVER REI-60 DOUBLE LEAF (900+400)x2150x50mm	EX-6802111600	FIREDOOR UNIVER REI-120 DOUBLE LEAF (900+400)x2150x60mm
EX-6801510400	FIREDOOR UNIVER REI-60 DOUBLE LEAF (900+400)x2050x50mm	EX-6802110400	FIREDOOR UNIVER REI-120 DOUBLE LEAF (900+400)x2050x60mm
EX-6801511700	FIREDOOR UNIVER REI-60 DOUBLE LEAF (900+450)x2150x50mm	EX-6802111700	FIREDOOR UNIVER REI-120 DOUBLE LEAF (900+450)x2150x60mm
EX-6801510500	FIREDOOR UNIVER REI-60 DOUBLE LEAF (900+450)x2050x50mm	EX-6802110500	FIREDOOR UNIVER REI-120 DOUBLE LEAF (900+450)x2050x60mm
EX-6801512100	FIREDOOR UNIVER REI-60 DOUBLE LEAF (900+800)x2150x50mm	EX-6802112100	FIREDOOR UNIVER REI-120 DOUBLE LEAF (900+800)x2150x60mm
EX-6801510900	FIREDOOR UNIVER REI-60 DOUBLE LEAF (900+800)x2050x50mm	EX-6802110900	FIREDOOR UNIVER REI-120 DOUBLE LEAF (900+800)x2050x60mm
EX-6801512200	FIREDOOR UNIVER REI-60 DOUBLE LEAF (900+900)x2150x50mm	EX-6802112200	FIREDOOR UNIVER REI-120 DOUBLE LEAF (900+900)x2150x60mm
EX-6801511000	FIREDOOR UNIVER REI-60 DOUBLE LEAF (900+900)x2050x50mm	EX-6802111000	FIREDOOR UNIVER REI-120 DOUBLE LEAF (900+900)x2050x60mm
EX-6801511800	FIREDOOR UNIVER REI-60 DOUBLE LEAF (1000+400)x2150x50mm	EX-6802111800	FIREDOOR UNIVER REI-120 DOUBLE LEAF (1000+400)x2150x60mm
EX-6801510600	FIREDOOR UNIVER REI-60 DOUBLE LEAF (1000+400)x2050x50mm	EX-6802110600	FIREDOOR UNIVER REI-120 DOUBLE LEAF (1000+400)x2050x60mm
EX-6801511900	FIREDOOR UNIVER REI-60 DOUBLE LEAF (1000+450)x2150x50mm	EX-6802111900	FIREDOOR UNIVER REI-120 DOUBLE LEAF (1000+450)x2150x60mm
EX-6801510700	FIREDOOR UNIVER REI-60 DOUBLE LEAF (1000+450)x2050x50mm	EX-6802110700	FIREDOOR UNIVER REI-120 DOUBLE LEAF (1000+450)x2050x60mm
EX-6801512300	FIREDOOR UNIVER REI-60 DOUBLE LEAF (1000+900)x2150x50mm	EX-6802112300	FIREDOOR UNIVER REI-120 DOUBLE LEAF (1000+900)x2150x60mm
EX-6801511100	FIREDOOR UNIVER REI-60 DOUBLE LEAF (1000+900)x2050x50mm	EX-6802111100	FIREDOOR UNIVER REI-120 DOUBLE LEAF (1000+900)x2050x60mm
EX-6801512400	FIREDOOR UNIVER REI-60 DOUBLE LEAF (1000+1000)x2150x50mm	EX-6802112400	FIREDOOR UNIVER REI-120 DOUBLE LEAF (1000+1000)x2150x60mm
EX-6801511200	FIREDOOR UNIVER REI-60 DOUBLE LEAF (1000+1000)x2050x50mm	EX-6802111200	FIREDOOR UNIVER REI-120 DOUBLE LEAF (1000+1000)x2050x60mm
EX-6800010100	CP1 DOOR CLOSER COLORED SILVER		
EX-6804200100	FIRE RATED PANIC BAR KIT EXLPBM FIRST SASH		
EX-6804200200	FIRE RATED PANIC BAR KIT EXLPA SECOND SASH		

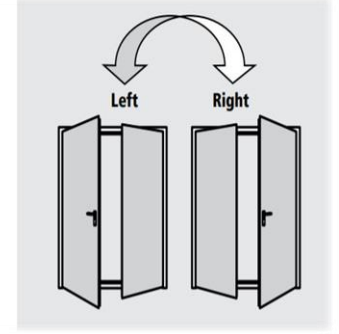
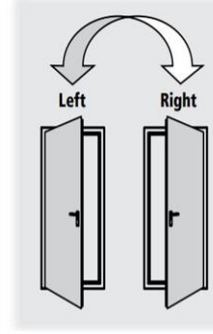
MULTI-PURPOSE DOORS

FUNCTION

Metal multi-purpose doors with special durability and wide range of applications

TECHNICAL FEATURES

- Reversible for right or left opening
- 40mm door thickness
- Standard dimensions for single leaf width from 700 to 1350mm and 2050 or 2150mm height
- Standard dimensions for double leaf width from 1200 to 2000mm and 2050 or 2150mm height
- Perimeter metal frame 48x40mm with removable sill and feature extensions
- 4-sided metal frame 48x40mm with removable threshold
- Installation at all types of masonry
- Option for double-leaf and manual locking latch
- Without fire-resistance
- Ventilation louver made of either black or white PVC. The opening direction of the door needs to be specified



MATERIALS

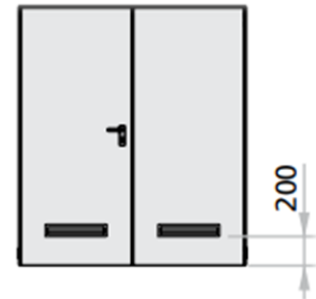
- Galvanized steel
- Honeycomb core

SURFACE COATING

- Standard RAL 7035 Grey
- Availability in various RAL upon request
- Every RAL with "orange skin" and anti-scratch finishing
- Availability in NDD digital decor

CERTIFICATION

- Alumil 5 Year Guarantee



With blades

CODES & DESCRIPTIONS

EX-6801150200	MULTIPURPOSE REVER DOOR 800x2050x40mm SINGLE LEAF	EX-6801160300	MULTIPURPOSE REVER DOOR (700+700)x2050x40mm DOUBLE LEAF
EX-6801150300	MULTIPURPOSE REVER DOOR 900x2050x40mm SINGLE LEAF	EX-6801160400	MULTIPURPOSE REVER DOOR (800+800)x2050x40mm DOUBLE LEAF
EX-6801150400	MULTIPURPOSE REVER DOOR 1000x2050x40mm SINGLE LEAF	EX-6801160500	MULTIPURPOSE REVER DOOR (900+900)x2050x40mm DOUBLE LEAF
EX-6801150700	MULTIPURPOSE REVER DOOR 800x2150x40mm SINGLE LEAF	EX-6801160600	MULTIPURPOSE REVER DOOR (1000+1000)x2050x40mm DOUBLE LEAF
EX-6801150800	MULTIPURPOSE REVER DOOR 900x2150x40mm SINGLE LEAF	EX-6801160900	MULTIPURPOSE REVER DOOR (700+700)x2150x40mm DOUBLE LEAF
EX-6801150900	MULTIPURPOSE REVER DOOR 1000x2150x40mm SINGLE LEAF	EX-6801161000	MULTIPURPOSE REVER DOOR (800+800)x2150x40mm DOUBLE LEAF
		EX-6801161100	MULTIPURPOSE REVER DOOR (900+900)x2150x40mm DOUBLE LEAF
		EX-6801161200	MULTIPURPOSE REVER DOOR (1000+1000)x2150x40mm DOUBLE LEAF
EX-6801150710	MULTIPURPOSE DOOR WITH BLADES REVER SINGLE LEAF 800x2150x40mm RAL 7035		
EX-6801150810	MULTIPURPOSE DOOR WITH BLADES REVER SINGLE LEAF 900x2050x40mm RAL 7035		
EX-6801150910	MULTIPURPOSE DOOR WITH BLADES REVER SINGLE LEAF 800x2050x40mm RAL 7035		
EX-6802008003	MULTIPURPOSE DOOR WITH BLADES REVER SINGLE LEAF 900x2150x40mm RAL 7035		
EX-6802008005	MULTIPURPOSE DOOR WITH BLADES REVER SINGLE LEAF 1000x2150x40mm RAL 7035		
EX-6802008004	MULTIPURPOSE DOOR WITH BLADES REVER SINGLE LEAF 1000x2050x40mm RAL 7035		

ACCESSORIES - ALUMIL 5 YEAR GUARANTEE

Alumil's 5-year guarantee covers products within Alumil's Range of Accessories.

Alumil will replace accessories that have significantly failed technically or aesthetically. The guarantee is valid only if suitable installation, maintenance and use have been carried out properly. The guarantee shall not be extended to any other part (within the window or not) that has been affected by the failure of the accessory; Alumil's guarantee is valid only regarding the replacement of the specific part. Shipping, installation, dismantling or any other labour costs are not covered. In order to validate the guarantee, proper installation and maintenance has to be confirmed by a qualified Alumil engineer.

Certain accessories may have also further extended guarantees (up to 10 years). Accessories with electrical components are guaranteed separately for 2 years, while punching machines' guarantee is valid for 12 months. Please always refer to the specific certification data sheets of the individual items.

Special color project-oriented accessories have the same operation and surface coating guarantee as the same product in range colors only if provided by Alumil SA.

Mill finish accessories (handles, hinges, etc.) are available in some Alumil range products in case of a special color project continuation. The operational guarantee of an Alumil accessory which is surface treated by a third party remains valid only if the coating does not require assembly or/and disassembly of the accessory. The surface coating guarantee for special colors (not included in the CDS catalogue) is valid only for Alumil SA invoiced surface treated accessories.

For more information, please contact Alumil S.A.



EN STANDARDS' GRADE CLASSIFICATIONS

EN 1670

Corrosion resistance shall be classified according to the following grading system:

Grade	Corrosion resistance	Neutral salt spray test	
0	no defined	-	-
1	low	24 h	-0/+1h
2	moderate	48 h	-0/+1h
3	high	96 h	-0/+1h
4	very high	240 h	-0/+1h
5	exceptionally high	480 h	-0/+1h

EN 13126-3

Durability shall be classified according to the following grading system:

Grade	Cycles
3/90	10.000 Turn-Only
4/90	15.000 Turn-Only
5/90	25.000 Turn-Only
3/180	10.000 Tilt&Turn
4/180	15.000 Tilt&Turn
5/180	25.000 Tilt&Turn

EN 13126-1 & 13126-9 & EN 13126-15 & EN 13126-16:2008

Durability shall be classified according to the following grading system:

Grade	Cycles
3	10.000
4	15.000
5	25.000

Corrosion resistance shall be classified according to EN 1670

EN 13126-8:2006

Durability shall be classified according to the following grading system:

Grade	Cycles
4	15.000
5	25.000

EN 1154

Durability shall be classified according to the following grading system:

Grade	Cycles
8	500.000

EN STANDARDS' GRADE CLASSIFICATIONS

EN 1935:2004

Durability shall be classified according to the following grading system:

Hinge grade		Category of use		Durability		Test door mass	
Grade	Duty	Grade	Use	Grade	Test cycles	Grade	Mass kg
2	Light	1	Window	3	10.000	1	20
3	Light	1	Door or Window	4	25.000	1	20
4	Medium	2	Door	7	200.000	1	20
5	Light	1	Window	3	10.000	2	40
6	Light	1	Door or Window	4	25.000	2	40
7	Medium	2	Door	7	200.000	2	40
8	Light	1	Window	3	10.000	3	60
9	Light	1	Door or Window	4	25.000	3	60
10	Medium	2	Door	7	200.000	3	60
11	Heavy	3	Door	7	200.000	4	80
12	Heavy	3	Door	7	200.000	5	100
13	Severe	4	Door	7	200.000	6	120
14	Severe	4	Door	7	200.000	7	160

EN 1303

Durability shall be classified according to the following grading system:

Grade	Cycles
4	25.000
5	50.000
6	100.000

Corrosion resistance shall be classified according to the following grading system:

Grade	Corrosion resistance	Temperature requirement
0	no defined	no
A	high	no
B	no	from -20° to +80 °C
C	high	from -20° to +80 °C

EN STANDARDS' GRADE CLASSIFICATIONS

EN 1906:2012

Durability shall be classified according to the following grading system:

Grade	Cycles
6	100.000
7	200.000

EN 12209:2003 & EN 15685

Durability shall be classified according to the following grading system:

Grade	Cycles	Neutral salt spray test
A	50.000	no load on latch bolt
B	100.000	no load on latch bolt
C	200.000	no load on latch bolt
D	500.000	no load on latch bolt
F	50.000	10N load on latch bolt
G	100.000	10N load on latch bolt
H	200.000	10N load on latch bolt
L	100.000	25N load on latch bolt
M	200.000	25N load on latch bolt
N	500.000	25N load on latch bolt
R	100.000	50N load on latch bolt
S	200.000	50N load on latch bolt
W	100.000	120N load on latch bolt
X	200.000	120N load on latch bolt
Z	500.000	120N load on latch bolt

Corrosion resistance shall be classified according to the following grading system:

Grade	Corrosion resistance	Temperature requirement
0	no defined	no
A	low	no
B	moderate	no
C	high	no
D	very high	no
E	moderate	from -25° to +70 °C
F	high	from -25° to +70 °C
G	very high	from -25° to +70 °C

EN STANDARDS' GRADE CLASSIFICATIONS

EN 1154

Weight capacity shall be classified according to the following grading system:

Door closer power size	Recommended door leaf width	Test door mass	Closing moment		
			Between 0 and 4° Nm / Nm min. / max.	Between 88° and 92° Nm min.	Any other angle of opening Nm min.
1	750	20	9 / 13	3	2
2	850	40	13 / 18	4	3
3	950	60	18 / 26	6	4
4	1100	80	26 / 37	9	6
5	1250	100	37 / 54	12	8
6	1400	120	54 / 87	18	11
7	1600	160	87 / 140	29	18

EN1125:2008

Durability shall be classified according to the following grading system:

Grade	Cycles
6	100.000
7	200.000

Door mass and closing force shall be classified according to the following grading system:

Grade	Door mass	Closing force
5	up to 100 kg door mass	50 N maximum closing force
6	up to 200 kg door mass	50 N maximum closing force
7	above 200 kg door mass as specified by the manufacturer	50 N maximum closing force

Suitability for use on fire/smoke doors shall be classified according to the following grading system:

Grade	Suitability
0	not approved for use on fire/smoke door assemblies
A	suitable for use on smoke door assemblies
B	suitable for use on smoke and fire door assemblies

Security shall be classified according to the following grading system:

Grade	Force
2	1000N - force on the leaf in opening direction

2025

ACCESSORIES
CERTIFICATION
DATA
SHEETS

Alumil
Building excellence every day

HEAD OFFICES

8 GOGOUSI STR., GR 56429
EFKARPIA, THESSALONIKI
T +30 2313 011000
F +30 2310 692473

FACTORY

KILKIS INDUSTRIAL AREA
GR 61100 KILKIS
T +30 23410 79300
F +30 23410 71988

www.alumil.com
info@alumil.com

EN JAN 2025

